



Data Display Products®

T-1³/₄ PCB MOUNT LEDs

Medium Profile, Single

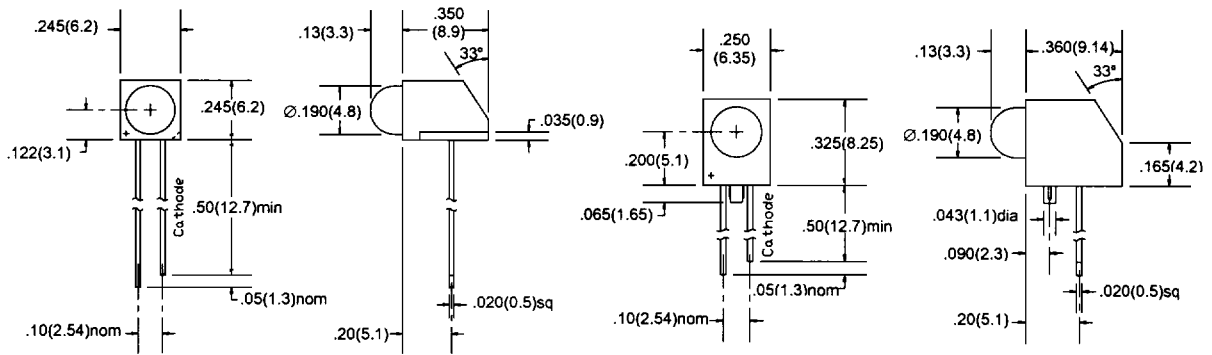
- Horizontal, Vertical or 45 Degree Angle Mount
- For Detailed LED Data, See Discrete Section, MODEL 190

Model		LED				
		Color	λpk (nm)	Iv ^[1] (mcd)	Tint	
PCL190	Right Angle	-SR	RED	655	2	Diffused
PCL190C	Right Angle, Center Pin	-LR	RED	635	12	Diffused
PCH190	Right Angle	-LCR	RED	635	34	Clear tinted
PCV190	Vertical Mount	-LA	AMB	585	7	Diffused
PCLR190	Right Angle, Variable	-LCA	AMB	585	38	Clear tinted
PCL191-200	Right Angle	-LG	GRN	565	12	Diffused
PCA190	Right Angle	-LCG	GRN	565	38	Clear tinted
PCL145	45 Degree Angle Mount					

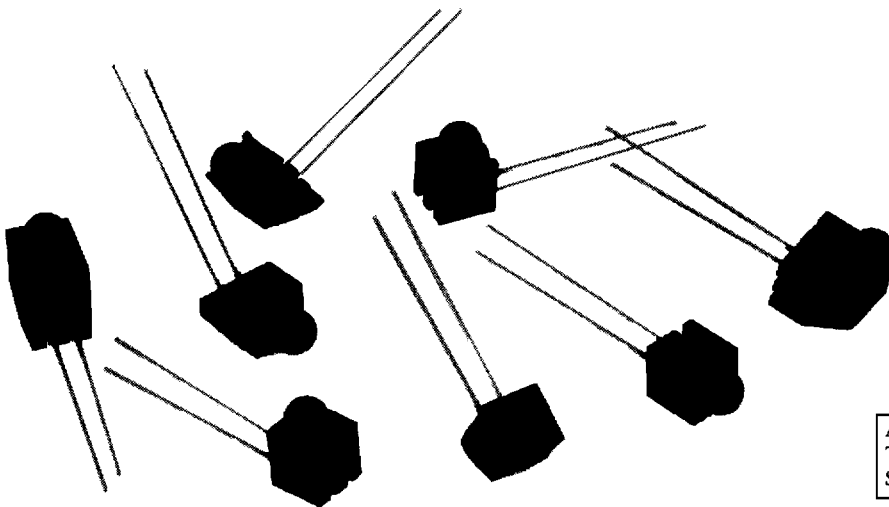
[1] Iv = typical luminous intensity @ If = 20mA (Ta=25°C).

To Order: Select one **BOLD** component from each **SHADED** column in the table.
Example: Part Number **PCL190-LCR**:

Model	LED
PCL190	-LCR



PCL190C

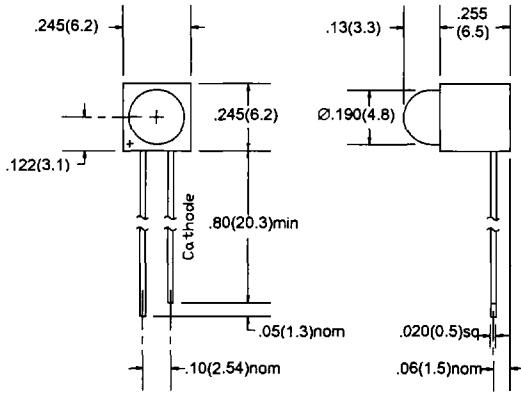


All dimensions are in inches(mm)
 Tolerances: .xx"(.x) ±.025"(.63) / .xxx"(.xx) ±.010"(.25)
 Specifications are subject to change without notice.

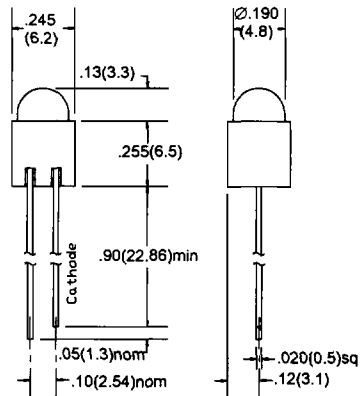


Data Display Products®

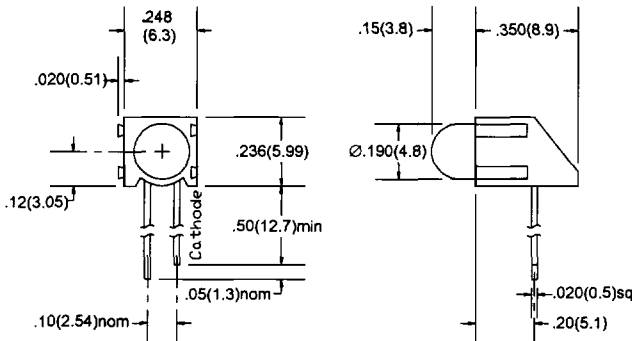
T-1³/₄ PCB MOUNT LEDs Medium Profile, Single



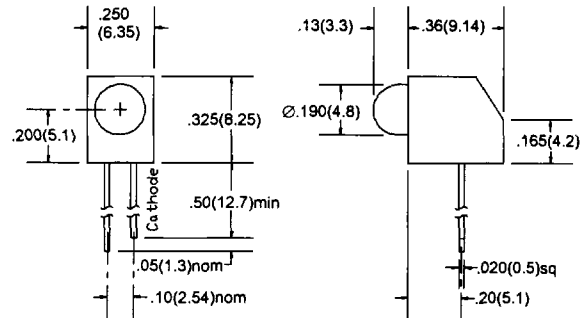
PCH190



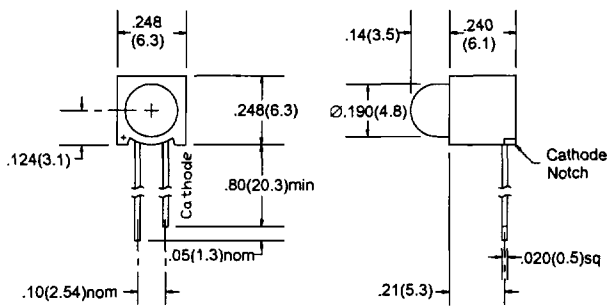
PCV190



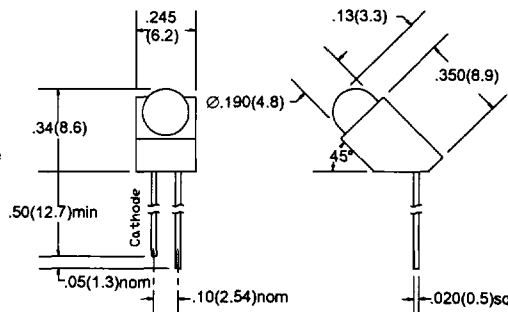
PCLR190



PCL191-200



PCA190



PCL145

All dimensions are in inches(mm)
 Tolerances: .xx"(x) ±.025"(.63) / .xxx"(xx) ±.010"(.25)
 Specifications are subject to change without notice.