

# OKI Electronic Components

## OAT1042x-V1-z-yy

**OC192/STM -64 Optical Transceiver Module****APPLICATION**

- OC-192 and STM-64 SERDES Transceiver Module

**FEATURES**

- Transmission Distance 12km
- Wavelength 1310nm
- 1:16 DeMUX with LVDS differential 622Mbps data outputs
- 16:1 MUX with LVDS differential 622Mbps data inputs
- TX/RX Loss of Lock
- Compact size
- Supply voltage; +3.3V , +5V and -5.2V

**SPECIFICATION**

- **Optical interface specifications**

Parts Number	OAT1042x-V1-z-yy	
Parameter	For 12km	Units
<b>Transmitter module</b>		
Pout	-4 to 0	dBm
$\lambda_c$	1290 to 1330	nm
Optical output waveform	ITU-T G.691 STM-64 Unamplified Mask standard	
Extinction ratio	8.2	dB
$\Delta\lambda_{20}$	1.0	nm
SMSR	30	dB
Jitter Generation	Compliant with GR-253	
<b>Receiver Module</b>		
Minimum sensitivity	-12	dBm
Minimum overload	0	dBm
$\lambda_{c\_rx}$	1290 ~ 1600	nm
Rx Return loss	27	dB
Jitter Generation, Tolerance and Transfer	Compliant with GR-253	
<b>Optical path</b>		
DLRmax	40	ps/nm
System Optical return loss	24	dB
Optical Path Penalty	1	dB

## · Power Supply

Parameter	Symbol	Min.	Typ.	Max.	Units	I <sub>max</sub>
Supply Voltage	V <sub>dd</sub>	3.13	3.3	3.47	V	2A
	V <sub>cc</sub>	4.75	5	5.25	V	0.8 A
	V <sub>ee</sub>	-4.94	-5.2	-5.45	V	1.8A
Power consumption			8	14	W	

· **Operating Temperature(Case temperature)**

0 to 65 degC

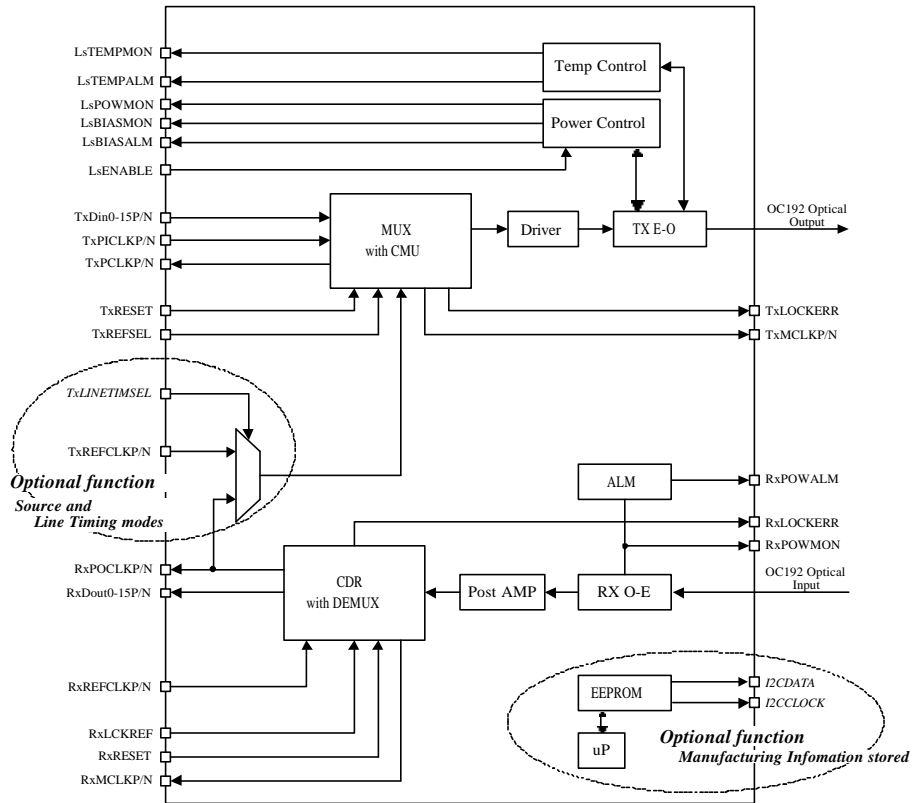
## · Dimensions(without heat sink)

	Dimensions	Units
Width	88.9	mm
Length	114.3	
Height	13	

## · Connector

Optical	Select SC / FC / LC / MU
Electrical	300pin BERG MegArray@84502-10X

**BLOCK DIAGRAM**



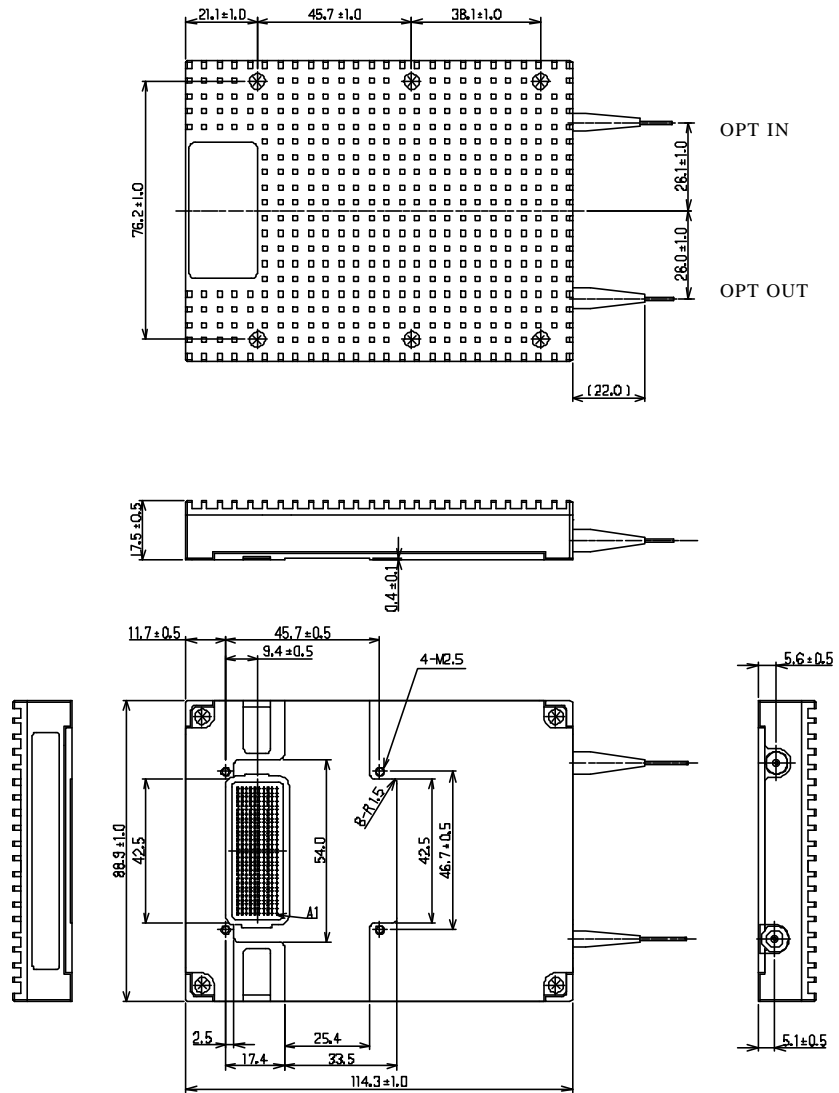
**ORDERING INFORMATION**

OAT1042x-V1-z-yy

x		z		yy	
optical connector		Bitrate(Gbps)		Fiber Length	
S	SC	A	9.95	10	1m
F	FC	B	10.3	05	0.5m
L	LC	C	9.95/10.3/10.7		
M	MU	D	10.7		

PACKAGE OUTLINE

(Unit: mm)



**NOTICE**

1. The information contained herein can change without notice owing to product and/or technical improvements. Before using the product, please make sure that the information being referred to is up-to-date.
2. The outline of action and examples for application circuits described herein have been chosen as an explanation for the standard action and performance of the product. When planning to use the product, please ensure that the external conditions are reflected in the actual circuit, assembly, and program designs.
3. When designing your product, please use our product below the specified maximum ratings and within the specified operating ranges including, but not limited to, operating voltage, power dissipation, and operating temperature.
4. Oki assumes no responsibility or liability whatsoever for any failure or unusual or unexpected operation resulting from misuse, neglect, improper installation, repair, alteration or accident, improper handling, or unusual physical or electrical stress including, but not limited to, exposure to parameters beyond the specified maximum ratings or operation outside the specified operating range.
5. Neither indemnity against nor license of a third party's industrial and intellectual property right, etc. is granted by us in connection with the use of the product and/or the information and drawings contained herein. No responsibility is assumed by us for any infringement of a third party's right which may result from the use thereof.
6. The products listed in this document are intended for use in general electronics equipment for commercial applications (e.g., office automation, communication equipment, measurement equipment, consumer electronics, etc.). These products are not authorized for use in any system or application that requires special or enhanced quality and reliability characteristics nor in any system or application where the failure of such system or application may result in the loss or damage of property, or death or injury to humans. Such applications include, but are not limited to, traffic and automotive equipment, safety devices, aerospace equipment, nuclear power control, medical equipment, and life-support systems.
7. Certain products in this document may need government approval before they can be exported to particular countries. The purchaser assumes the responsibility of determining the legality of export of these products and will take appropriate and necessary steps at their own expense for these.
8. No part of the contents contained herein may be reprinted or reproduced without our prior permission.
9. **Qualification and Reliability**  
To help ensure high product reliability and customer satisfaction, OKI is committed to an intensive quality program that starts in the design phase and proceeds through the manufacturing process. Optical transceiver modules are qualified to OKI internal standards using MIL-STD-883 test methods and procedures and using sample techniques consistent with Telcordia requirements. This qualification program fully meets the intent of Telcordia reliability practices GR-468-CORE.
10. **Laser Safety**  
All version of transceiver are Class 1 Laser products FDA complies with 21 CFR 1040.10 and 1040.11 requirements.  
Also, all versions are Class 1 Laser products pre IEC 825-1.