

1 2 3 4 5 6 7 8 9 0

J

I

H

G

F

E

D

C

B

A

SPECIFICATIONS

Current Rating: 1A AC,DC

Voltage Rating: 100V AC,DC

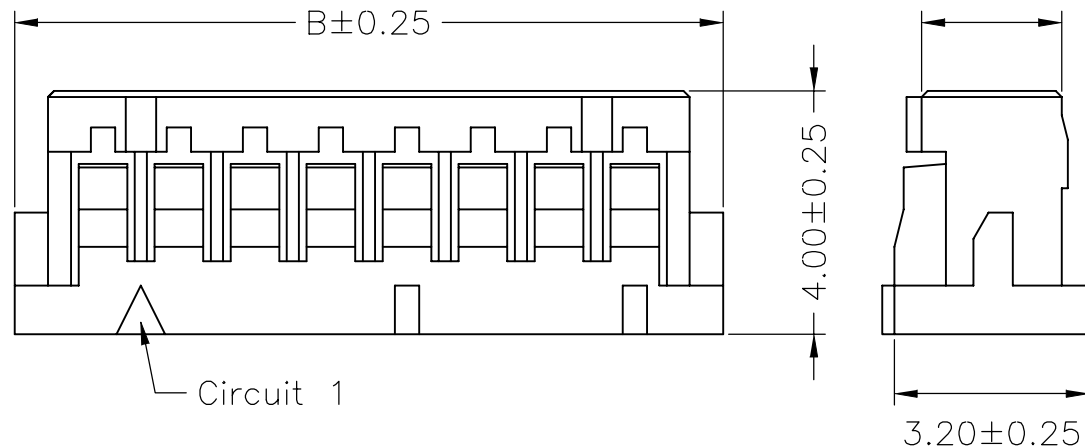
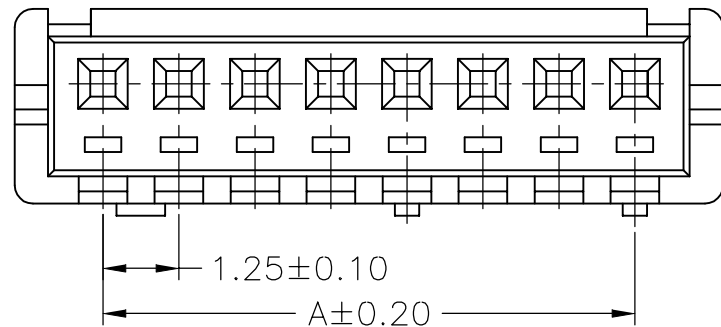
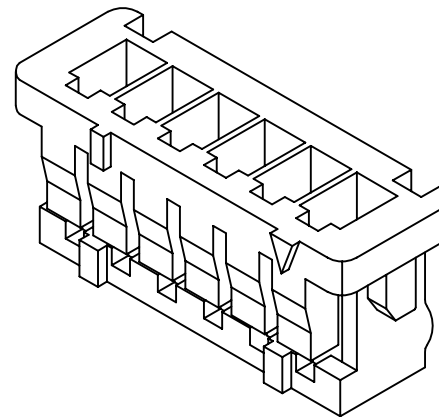
Temperature Range: -25°C ~ +85°C

Contact Resistance: 20mΩ Max.

Insulation Resistance: 500MΩ Min.

Withstanding Voltage: 500V AC/minute

Material: Nylon 66,UL94V-0



Formation & Dimensions

| PART NO. | Dimensions | |
|-------------|------------|-------|
| | A | B |
| DF13-H-1X02 | 1.25 | 4.15 |
| DF13-H-1X03 | 2.50 | 5.40 |
| DF13-H-1X04 | 3.75 | 6.65 |
| DF13-H-1X05 | 5.00 | 7.90 |
| DF13-H-1X06 | 6.25 | 9.15 |
| DF13-H-1X07 | 7.50 | 10.40 |
| DF13-H-1X08 | 8.75 | 11.65 |
| DF13-H-1X09 | 10.00 | 12.90 |
| DF13-H-1X10 | 11.25 | 14.15 |
| DF13-H-1X11 | 12.50 | 15.40 |
| DF13-H-1X12 | 13.75 | 16.65 |
| DF13-H-1X13 | 15.00 | 17.90 |
| DF13-H-1X14 | 16.25 | 19.15 |
| DF13-H-1X15 | 17.50 | 20.40 |

MORETHANALL
CONNECTORS
ASSEMBLIES

煜倫有限公司

PART NO. DF13-H-1Xxx

DWG NO. DF13-H-1Xxx

FILE NO.

UNIT / mm

SCALE 1:1

CHECKED BY CY

DRAWING BY

PROJECTION

TOLERANCES ARE

.X±
.XX±
.XXX±
AWG

DESCRIPTION:

**1.25mm PITCH
SINGLE ROW HOUSING**

AREA

REVISIONS

HK

DATE