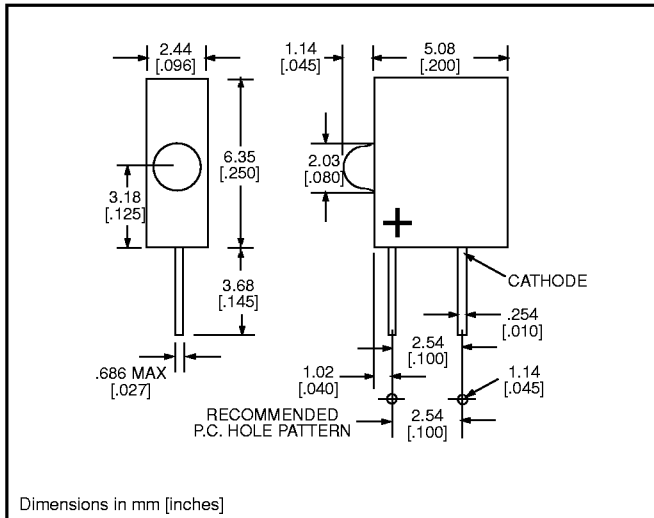


**2mm
LED CBI® Circuit Board Indicator
Single**

Dialight

555-2xxx



PART NO.

COLOR

GENERAL PURPOSE

555-2001
555-2301
555-2401

Red
Green
Yellow

INTEGRAL RESISTOR, 5 Volt

555-2003
555-2004
555-2007
555-2009
555-2303
555-2403

Red
Red
Red
Red
Green
Yellow

INTEGRAL RESISTOR, VARIOUS VOLTAGES

555-2002
555-2005
555-2006
555-2008
555-2010

Red, 3.6V
Red, 10V
Red, 14V
Red, 24V
Red, 15V

Benefits

- Small 2mm design conserves board space
- Available with a variety of LEDs
- Housing material meets UL94 V-0
- Black housing enhances contrast
- Vibration and shock resistant
- High reliability - life measured in years
- Compatible with 555-4xxx Quad Block

LED Data

- For absolute maximum ratings and other optical/electrical data refer to the LED Data Sheets

Typical Operating Characteristics (T_A = 25°C)

GENERAL PURPOSE

Part Number	Color	Peak Wavelength nm	I _v mcd	V _F Volts	Test Current (mA)	Viewing Angle 2Θ _{1/2}	LED Data sheet	Page #
555-2001	Red	650	1.2	1.6	20	40°	2ND-9412	3-14
555-2301	Green	565	1	2.4	20	40°	2ND-9414	3-14
555-2401	Yellow	583	2	2.2	20	40°	2ND-9416	3-14

INTEGRAL RESISTOR - 5V

Part Number	Color	Peak Wavelength nm	I _v mcd	I _F mA	Test Voltage	Viewing Angle 2Θ _{1/2}	LED Data sheet	Page #
555-2003	Red	650	1.9	6	5	40°	2RD-9614	3-15
555-2004	Red	650	5.2	17	5	40°	2RD-9617	3-15
555-2007	Red	650	.9	3	5	40°	2RD-9613	3-15
555-2009	Red	650	.6	1	5	40°	2RD-9618	3-15
555-2303	Green	565	2.5	4.7	5	40°	2RD-9615	3-15
555-2403	Yellow	583	2.1	4.7	5	40°	2RD-9616	3-15

3

INTEGRAL RESISTOR, VARIOUS VOLTAGES

Part Number	Color	Peak Wavelength nm	I _v mcd	I _F mA	Test Voltage	Viewing Angle 2Θ _{1/2}	LED Data sheet	Page #
555-2002	Red	650	6.2	20	3.6	40°	2RD-9620	3-15
555-2005	Red	650	4.2	14	10	40°	2RD-9621	3-15
555-2006	Red	650	3.1	10	14	40°	2RD-9619	3-15
555-2008	Red	650	.9	3	24	40°	2RD-9623	3-15
555-2010	Red	650	.9	3	15	40°	2RD-9622	3-15

NOTE: See LED Data sheets for additional information.