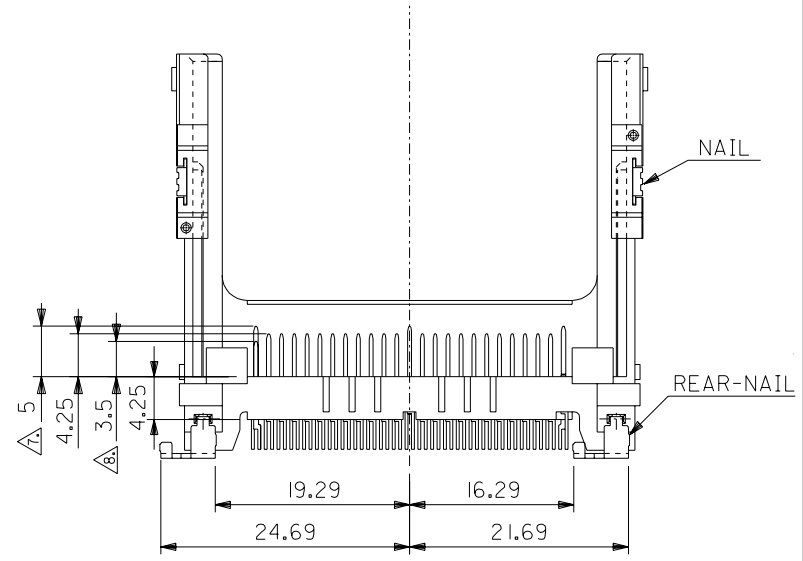
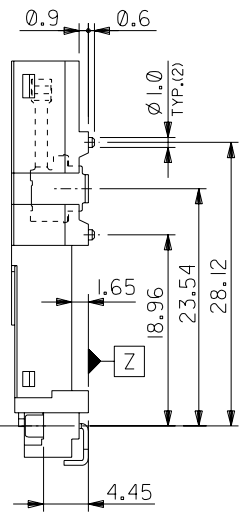
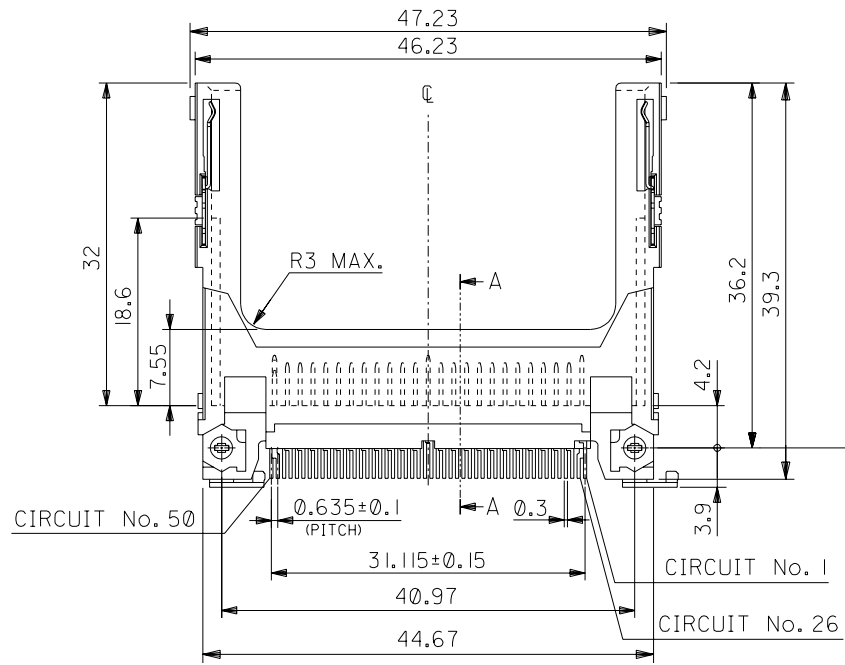
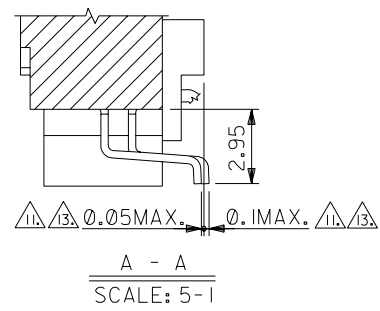
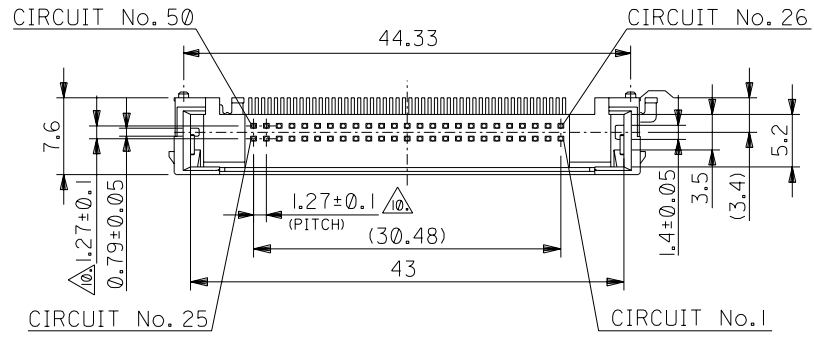


DWG. NO. SD-55358-014



DO NOT SCALE DRAWING

| | | | |
|--|----------------------------------|----------------------------------|----------------------------------|
| EC NO. DRWN: CHK: APPR: | EC NO. DRWN: CHK: APPR: | EC NO. DRWN: CHK: APPR: | EC NO. DRWN: CHK: APPR: |
| RELEASED EC NO. J2004-3952 DRWN: M.NABEI '04/04/22 CHK: K.TOJO '04/04/22 APPR: M.SASAO '04/04/22 | | | |

| | | | | |
|-------------|----------------|---------------|----------------------|--------------------|
| DESCRIPTION | MATERIAL 材料 | FINISH 仕上り | WIRE RANGE 適用層被範囲 | INS. RANGE 被覆外径 |
| | SEE NOTES | SEE NOTES | # | # |

| | |
|---|-------|
| GENERAL TOLERANCES: (UNLESS SPECIFIED) 一般公差 | |
| 10 UNDER 未満 | ±0.2 |
| 10 OVER 30 UNDER 以上 未満 | ±0.25 |
| 30 OVER 以上 | ±0.3 |
| ANGLE 角度 | ±3° |

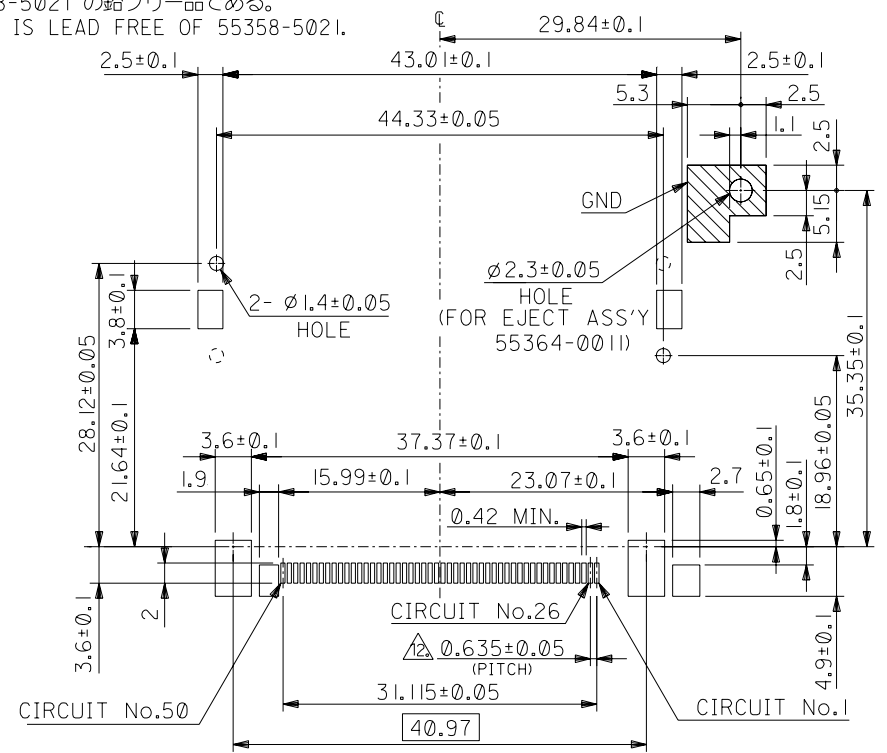
| | | | | | |
|--|--|--|-----------------------------|---------------------|-----------|
| 55358-5028 | | 55358-5029 | | 55358-50** | |
| HARD TRAY PACKAGE | | MATERIAL No. | | MODEL No. | |
| SCALE 2 - 1 | DESIGN UNITS <input checked="" type="checkbox"/> mm <input type="checkbox"/> INCH | DIMENSIONS: <input type="checkbox"/> mm <input type="checkbox"/> INCH <input type="checkbox"/> mm <input checked="" type="checkbox"/> INCH ONLY | | SHT | REV |
| DRAWN BY & DATE M.NABEI '04/04/22 | | TITLE: CF CARD CONN. 50P HEADER ASS'Y (TYPE I/II, NORMAL) -LEAD FREE- | | | |
| CHECKED BY & DATE K.TOJO '04/04/22 | | M.OLEX MOLEX INCORPORATED | | | |
| APPROVED BY & DATE M. Sasao '04/04/22 | | MATERIAL NO. SEE CHART | DRAWING NO. SD-55358-014 | SHEET NO. 1 OF 2 | |
| THIS DRAWING CONTAINS INFORMATION THAT IS PROPRIETARY TO MOLEX INCORPORATED AND SHOULD NOT BE USED WITHOUT WRITTEN PERMISSION. | | | | | SIZE B |

SD-55358-014.S01

DWG. NO. SD-55358-014

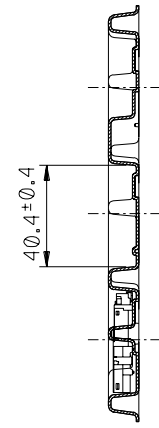
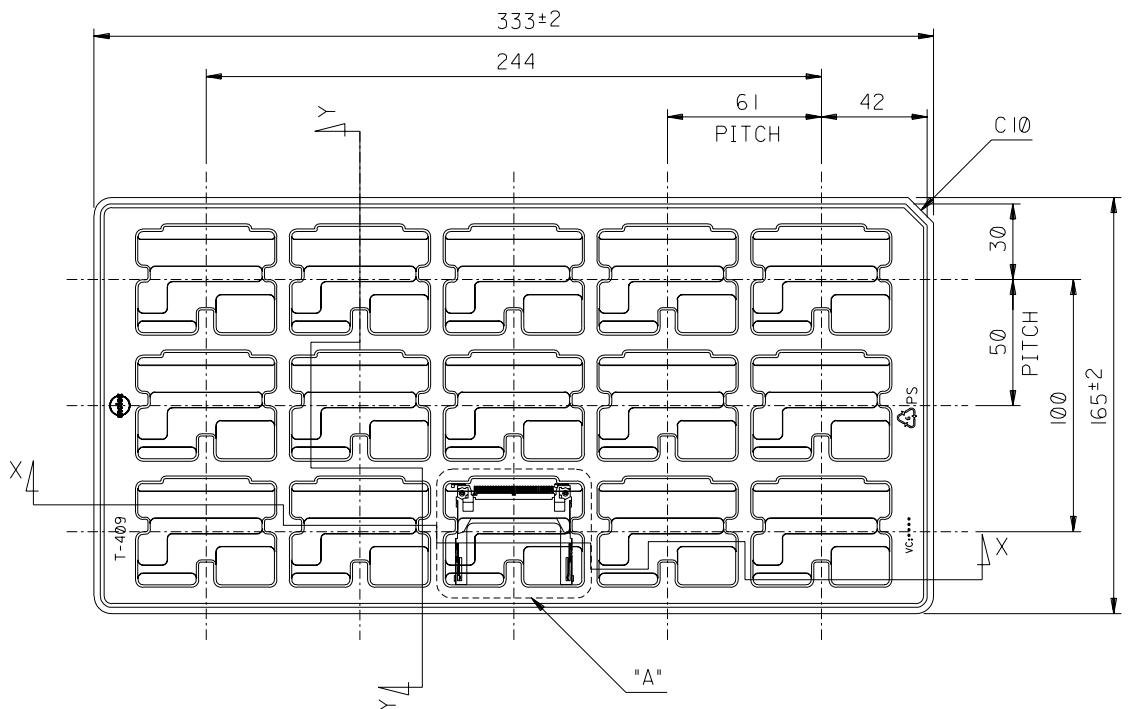
- 8 7 6 5 4 3 2 1
- 注) NOTES
1. 材質 MATERIAL
 ハウジング: ガラス入りLCP UL94V-0
 HOUSING: LIQUID CRYSTAL POLYMER G.F. UL94V-0
 ピン: リン青銅
 PIN: PHOSPHOR BRONZE
 ネール: リン青銅 (t0.3)
 NAIL: PHOSPHOR BRONZE (t0.3)
 リヤネール: リン青銅 (t0.48)
 REAR-NAIL: PHOSPHOR BRONZE (t0.48)
2. メッキ仕様 PLATING
 ピン PIN
 接点部: パラジウムニッケル下地、金メッキ
 CONTACT AREA: GOLD OVER PALLADIUM-NICKEL
 半田付け部: 錫メッキ
 SOLDER TAIL AREA: TIN
 下地メッキ: ニッケルメッキ
 UNDERPLATING: NICKEL OVER ALL
 ネール NAIL
 接点部: 金メッキ
 CONTACT AREA: GOLD
 半田付け部: 錫メッキ
 SOLDER TAIL AREA: TIN
 下地メッキ: ニッケルメッキ
 UNDERPLATING: NICKEL OVER ALL
 リヤネール REAR-NAIL
 錫メッキ
 TIN
 下地メッキ: ニッケルメッキ
 UNDERPLATING: NICKEL OVER ALL
3. 推奨基板厚: t=0.8 MIN.
 RECOMMENDED P.C.B. THICKNESS: t=0.8 MIN.
4. 適合カード厚: 3.3±0.1 (TYPE I) AND 5 MAX. (TYPE II)
 RECOMMENDED CARD THICKNESS: 3.3±0.1 (TYPE I) AND 5 MAX. (TYPE II)
5. 適合カード幅: 42.8±0.1
 RECOMMENDED CARD WIDTH: 42.8±0.1
6. ハウジング色: 黒
 HOUSING COLOR: BLACK
7. 寸法適用極: 1,13,38,50
 THIS DIMENSION APPLIES TO CIRCUIT NUMBERS 1,13,38 AND 50.
8. 寸法適用極: 25,26
 THIS DIMENSION APPLIES TO CIRCUIT NUMBERS 25 AND 26.
9. ピンの倒れは、ピン根元を基準に全方向へ0.1 MAX.とする。
 PIN TIP LEAN TOWARD ANY DIRECTION NOT TO EXCEED 0.1 WHEN MEASURED FROM PIN BASE.
10. ピン根元に適用する。
 THIS DIMENSION TO BE MEASURED AT PIN BASE.

11. ソルダーテールは、Z面を基準とし上へ0.05下へ0.1の範囲にあり、且つソルダーテールの平坦度は、0.1 MAX.とし、テール先端にて測定する。
 SOLDER TAILS TO BE WITHIN 0.05 UPWARD AND 0.1 DOWNWARD FROM Z-DATUM PLACE, AND COPLANARITY OF SOLDER TAILS TO BE WITHIN 0.1. MEASUREMENT POINT IS SOLDER TAILS TIP.
12. 公差非累積
 NON-CUMULATIVE
13. テールとネール、リヤネールを併せた平坦度は、0.1 MAX.とする。
 TOTAL COPLANARITY OF SOLDER TAILS, NAILS AND REAR-NAILS TO BE 0.1 MAX.
14. 本製品は 55358-5021 の鉛フリー品である。
 THIS PRODUCT IS LEAD FREE OF 55358-5021.

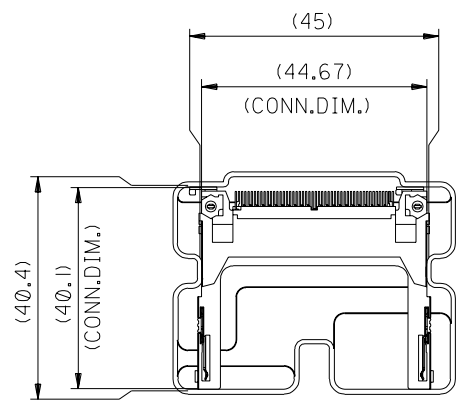


基板推奨寸法
 RECOMMENDED P.C.B. LAYOUT

| | | | | | | | | | | | | | | | | | | | | | | | | | | | | | | | |
|----------------------|--|--------------------------|--|--------------------------|--|--------------------------|--|--------------------------|--|--------------------------|--|--------------------------|--|---|--|-----|--|---------------------|--|---|--|--|--|---|--|---|--|--------------------------|--|-------------|--|
| DO NOT SCALE DRAWING | | EC NO. DRWN: CH'K: APPR: | | EC NO. DRWN: CH'K: APPR: | | EC NO. DRWN: CH'K: APPR: | | EC NO. DRWN: CH'K: APPR: | | EC NO. DRWN: CH'K: APPR: | | EC NO. DRWN: CH'K: APPR: | | 0 | | REV | | MATERIAL 材料 | | GENERAL TOLERANCES: (UNLESS SPECIFIED) 一般公差 | | 55358-50** | | MODEL NO. | | DIMENSIONS: <input type="checkbox"/> mm <input type="checkbox"/> INCH <input checked="" type="checkbox"/> mm ONLY | | SHT | | REV | |
| | | | | | | | | | | | | | | | | | | SEE NOTES | | 10 UNDER 未満 ±0.2 | | SCALE 2-1 <input checked="" type="checkbox"/> mm <input type="checkbox"/> INCH | | DESIGN UNITS <input checked="" type="checkbox"/> mm <input type="checkbox"/> INCH | | THIRD ANGLE PROJECTION | | | | | |
| | | | | | | | | | | | | | | | | | | SEE NOTES | | 10 OVER 30 UNDER 未満 ±0.25 | | DRAWN BY & DATE M.NABEI '04/04/22 | | TITLE: CF CARD CONN. 50P HEADER ASS'Y (TYPE I/II, NORMAL) -LEAD FREE- | | | | | | | |
| | | | | | | | | | | | | | | | | | | 30 OVER 以上 ±0.3 | | 10 OVER 30 UNDER 未満 ±0.25 | | CHECKED BY & DATE K.TOJO '04/04/22 | | MOLEX MOLEX INCORPORATED | | | | | | | |
| | | | | | | | | | | | | | | | | | | WIRE RANGE 適用電線範囲 # | | ANGLE 角度 ±3° | | APPROVED BY & DATE H. Sano '04/04/22 | | CAD FILENAME SD-55358-014.S02 | | MATERIAL NO. # | | DRAWING NO. SD-55358-014 | | SHEET NO. 2 | |
| | | | | | | | | | | | | | | | | | | INS. RANGE 被覆外径 # | | | | THIS DRAWING CONTAINS INFORMATION THAT IS PROPRIETARY TO MOLEX INCORPORATED AND SHOULD NOT BE USED WITHOUT WRITTEN PERMISSION. | | | | SIZE B | | | | | |



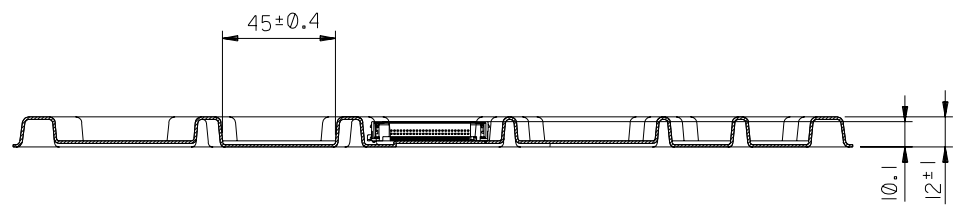
SECT. Y-Y



DETAIL A
(SCALE 1-1)

NOTES

1. 一般公差: ±0.5
GENERAL TOLERANCES: ±0.5
2. 反り: 2MAX.
WARP: 2MAX.
3. 梱包数: 15個
PACKAGING QUANTITY: 15PCS.
4. 本製品は 55358-5026/-5036 の鉛フリー品である。
THIS PRODUCT IS LEAD FREE OF 55358-5026/-5036.



SECT. X-X

| | | | |
|------------------|-------------------------|----------------------|------------|
| 15 | 55358-5039 | 55358-5038 | 50 |
| | 55358-5029 | 55358-5028 | |
| 梱包数量 QUANTITY | コネクタ番号 CONNECTOR No. | 製品番号 MATERIAL No. | 極数 CKT. |

DO NOT SCALE DRAWING

| | | | | | | | | | |
|---------------------------------|---------------------------------|---------------------------------|---------------------------------|---|---|---|---|---|---------------------------|
| 64NO. DRWN: CHK: APPR: | 63NO. DRWN: CHK: APPR: | 62NO. DRWN: CHK: APPR: | 61NO. DRWN: CHK: APPR: | RELEASED 60NO. J2004-3952 DRWN: M.NABEI CHK: K.TOJO APPR: M.SASAO | MATERIAL 材料 POLYSTYRENE (t=1.0) | GENERAL TOLERANCES: (UNLESS SPECIFIED) 一般公差 10 UNDER 未満 ±0.2 10 OVER 以上 ±0.25 30 UNDER 未満 ±0.25 30 OVER 以上 ±0.3 ANGLE 角度 ±3° | 55358-50** SCALE 1:2 DESIGN UNITS <input checked="" type="checkbox"/> mm <input type="checkbox"/> INCH DRAWN BY & DATE M.NABEI '04/04/22 CHECKED BY & DATE K.TOJO '04/04/22 APPROVED BY & DATE M.SASAO '04/04/22 CAD FILENAME SD-55358-016.S01 | MODEL NO. 7888 DIMENSIONS: <input type="checkbox"/> mm <input type="checkbox"/> INCH <input checked="" type="checkbox"/> mm <input type="checkbox"/> INCH <input type="checkbox"/> mm ONLY TITLE: TRAY FOR CF CARD CONN. 50P HEADER HS'G ASS'Y -LEAD FREE- MOLEX INCORPORATED | SHT REV 1 OF 1 B |
| 0 | 0 | 0 | 0 | 0 | 0 | 0 | 0 | 0 | 0 |
| REV | INS. RANGE 被覆外径 | WIRE RANGE 適用着被範囲 | FINISH 仕上げ | DESCRIPTION | | | | | |