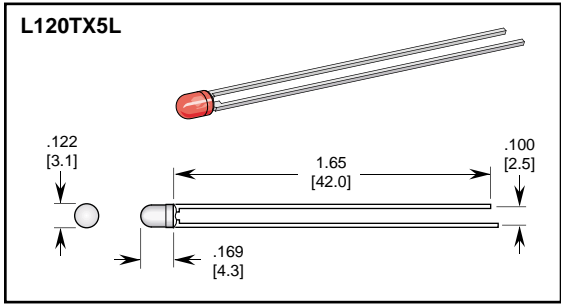


### Features

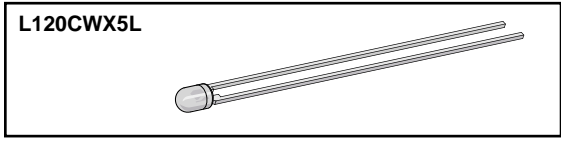
- Long terminals save installation time
- Major cost savings over traditional LED
- High intensity/low power
- Fast turn on/off time I.C. compatible
- Available in standard and special colors
- Diffused lens standard Clear illuminator optional
- Solid-State, high shock/vibration resistant
- Single color or Bicolor configurations
- Long life / 100,000+ hours

### 3mm Diffused Indicator LEDs



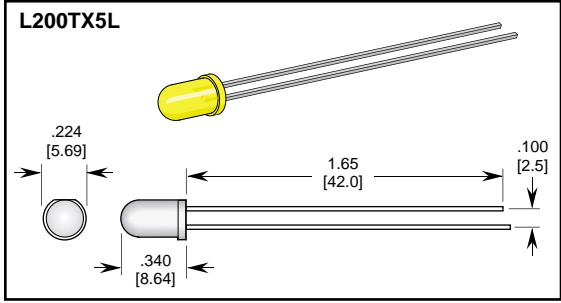
Part Number	Color	Lens Type/Color	Electrical-Optical Characteristics (Ta = 25°C)				Full Viewing Angle
			If = mA typ	Iv mcd min/typ	Vf = V typ/max	λP nm	
L120TR5L	RED	DIF. RED	20	40.0	2.0/2.6	635	 50°
L120TY5L	YELLOW	DIF. YEL	20	60.0	2.1/2.6	585	
L120TG5L	GREEN	DIF. GRN	20	35.0	2.2/2.6	568	
L120TWYG5L	YELLOW	MILKY WHITE	20	60.0	2.1/2.6	585	
	GREEN	WHITE	20	35.0	2.2/2.6	568	
L120TWRG5L	RED	MILKY WHITE	20	40.0	2.0/2.6	635	
	GREEN	WHITE	20	35.0	2.2/2.6	568	

### 3mm Clear Indicator LEDs



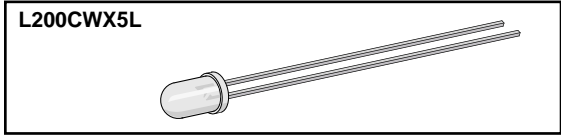
L120CWR5L	RED	WATER-CLEAR	10	4/12.6	2.0/2.8	630	 25°
L120CWY5L	YELLOW		10	4/12.6	2.1/2.8	585	
L120CWG5L	GREEN		10	4/12.6	2.1/2.8	565	

### 5mm Diffused Indicator LEDs



Part Number	Color	Lens Type/Color	Electrical-Optical Characteristics (Ta = 25°C)				Full Viewing Angle
			If = mA typ	Iv mcd min/typ	Vf = V typ/max	λP nm	
L200TR5L	RED	DIF. RED	30	9/18	2.1/2.6	635	 55°
L200TY5L	YELLOW	DIF. YEL	30	17/29	2.0/2.6	585	
L200TG5L	GREEN	DIF. GRN	30	32/50	2.2/2.6	565	
L200TWYG5L	YELLOW	MILKY WHITE	30	17/29	2.2/2.8	585	
	GREEN	WHITE	30	32/50	2.2/2.8	565	
L200TWRG5L	RED	MILKY WHITE	30	9/18	2.2/2.6	635	
	GREEN	WHITE	30	32/50	2.2/2.6	565	

### 5mm Clear Indicator LEDs



L200CWR5L	RED	WATER-CLEAR	20	235	2.0/2.6	635	 20°
L200CWY5L	YELLOW		20	100	2.0/2.6	585	
L200CWG5L	GREEN		20	290	2.0/2.6	565	

