

\*\*\* 7501 Series \*\*\*


Material :

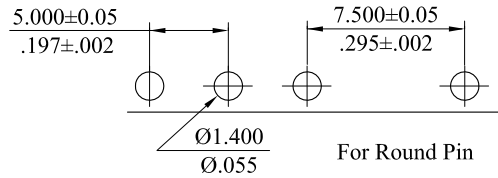
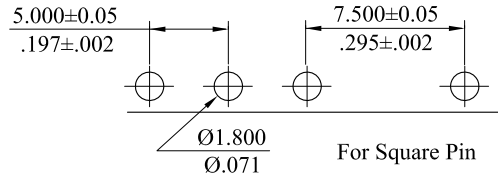
\* Insulator : UL 94V-0 NYLON 6/6

\* Contact : Brass

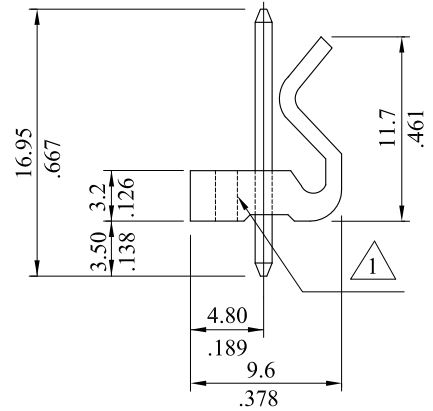
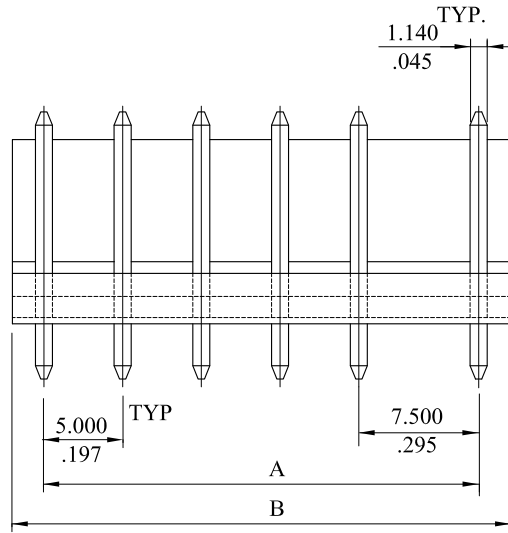
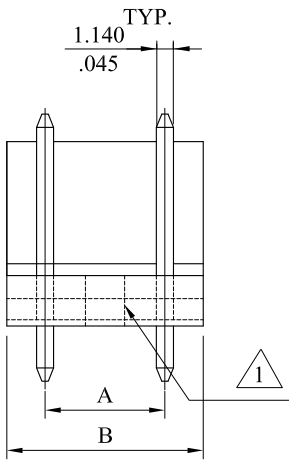
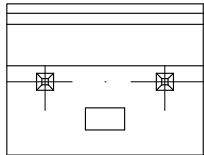
\* Plating : Tin plated 120μ" min over 30μ" min. nickel overall

RoHS COMPLIANT


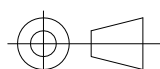
 :the slot only for 2 circuits



Recommended Hole Pattern



CIRCUITS	PART NO.		DIMENSION	
	SQUARE PIN	ROUND PIN	A	B
2	7501P020013	7501P020R13	7.50(.295)	12.5(.492)
3	7501P030013	7501P030R13	12.50(.492)	17.5(.689)
4	7501P040013	7501P040R13	17.50(.689)	22.5(.886)
5	7501P050013	7501P050R13	22.50(.886)	27.5(1.083)
6	7501P060013	7501P060R13	27.50(1.083)	32.5(1.280)
7	7501P070013	7501P070R13	32.50(1.280)	37.5(1.476)
8	7501P080013	7501P080R13	37.50(1.476)	42.5(1.673)
9	7501P090013	7501P090R13	42.50(1.673)	47.5(1.870)
10	7501P100013	7501P100R13	47.50(1.870)	52.5(2.067)
11	7501P110013	7501P110R13	52.50(2.067)	57.5(2.264)
12	7501P120013	7501P120R13	57.5(2.264)	62.5(2.461)
13	7501P130013	7501P130R13	62.5(2.461)	67.5(2.657)
14	7501P140013	7501P140R13	67.5(2.657)	72.5(2.854)
15	7501P150013	7501P150R13	72.5(2.854)	77.5(3.051)

 <b>LECO CORPORATION</b>				APPROVED:		PART NO.:																		
				DATE:		7501P**0*13																		
D	ES101211	GENERAL TOLERANCES: (UNLESS SPECIFIED)		CHECKED:		TITLE:																		
C	ES020903			DATE:		HEADER																		
B	ES020431	<table border="1"> <thead> <tr> <th></th> <th>mm</th> <th>inch</th> </tr> </thead> <tbody> <tr> <td>1 PLACE</td> <td>± 0.30</td> <td>± --</td> </tr> <tr> <td>2 PLACES</td> <td>± 0.20</td> <td>± .012</td> </tr> <tr> <td>3 PLACES</td> <td>± 0.10</td> <td>± .008</td> </tr> <tr> <td>4 PLACES</td> <td>± --</td> <td>± .004</td> </tr> </tbody> </table>			mm	inch	1 PLACE	± 0.30	± --	2 PLACES	± 0.20	± .012	3 PLACES	± 0.10	± .008	4 PLACES	± --	± .004	DRAWN:		DRAWING NO.:			
	mm			inch																				
1 PLACE	± 0.30	± --																						
2 PLACES	± 0.20	± .012																						
3 PLACES	± 0.10	± .008																						
4 PLACES	± --	± .004																						
A	DWG REL	ANGULAR ± ( 1° )		DATE:		750102S																		
REV.	ECO. NO.			CHG.	APP.		UNITS	SCALE	SIZE	SHEET	REV.													
						mm	2:1	A4	1/1	D														
						inch																		