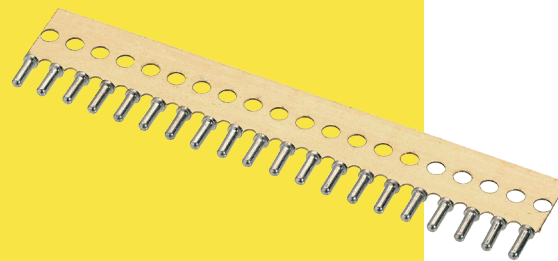


# PC Board Sockets

## Strips of Sub-Miniature Sockets

- Sub-miniature sockets using the four finger Beryllium Copper contact, mounted on carrier strips for ease of production use.
- See previous page for information on the individual sockets.

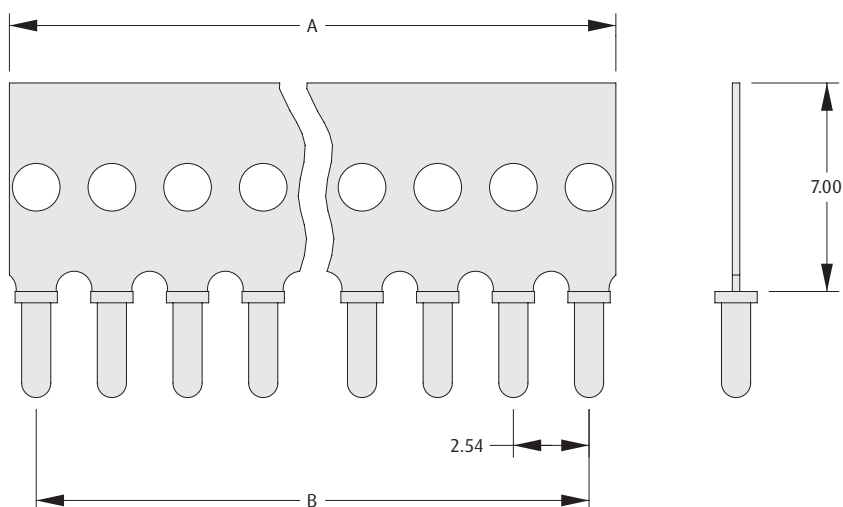


### SINGLE-IN-LINE SOCKET CARRIERS

#### CALCULATION

<b>A</b>	$B + 1.8$
<b>B</b>	$2.54 \times (\text{No. of sockets} - 1)$

- Brass carriers are supplied fitted with the sub-miniature socket shown in the tables below.
- Supplied in standard lengths.



### HOW TO ORDER

**D01 - 9XX XX 01**

**SERIES CODE**

**TYPE**

<b>979</b>	Single-in-line Socket Carrier with H3192-01
<b>982</b>	Single-in-line Socket Carrier with H3191-01
<b>984</b>	Single-in-line Socket Carrier with H3155-01
<b>990</b>	Single-in-line Socket Carrier with H3153-01

**FINISH**

**01** Gold contact, Tin shell

**NO. OF CONTACTS PER STRIP**

**04, 06 to 10, 12, 14, 16, 20, 32**

All dimensions in mm.