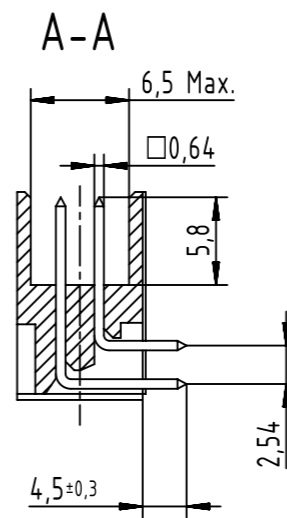
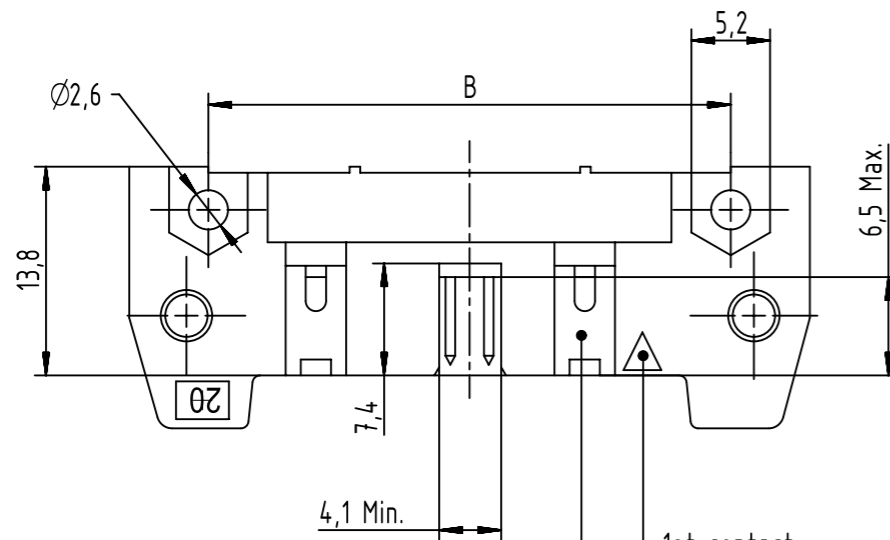
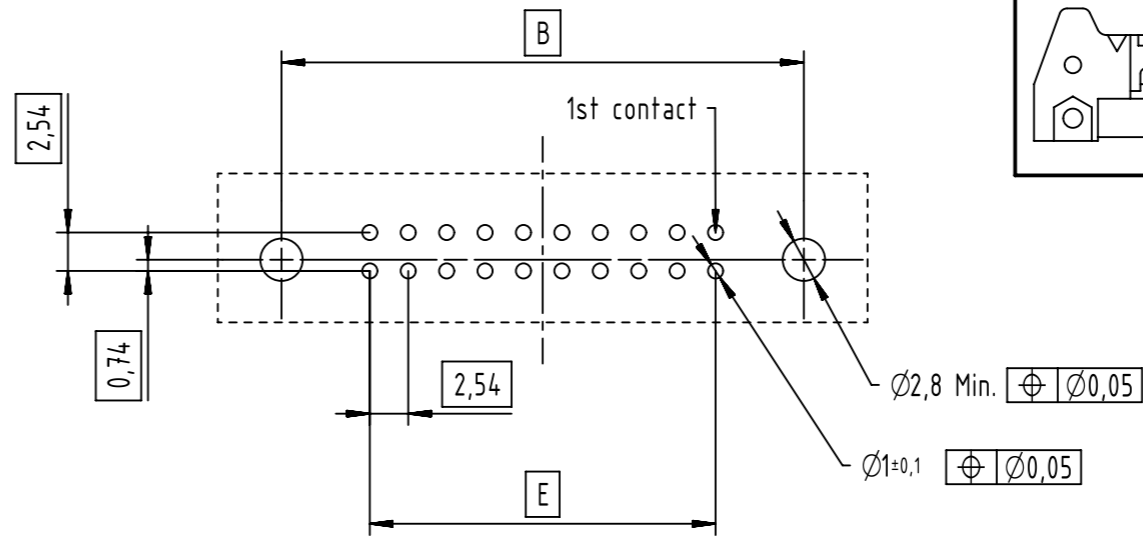
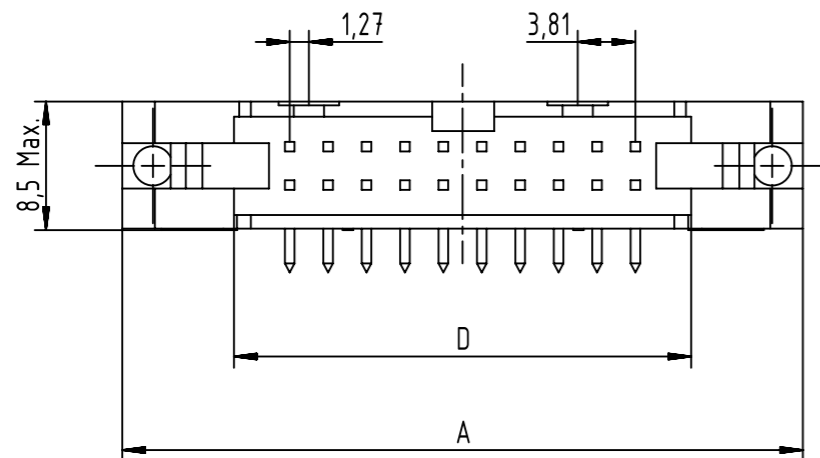


PC-Board layout view component side thickness up to 3,2 mm



Coding style table	
	Style A: For connectors 6 poles
	Style B: For connectors from 10 to 14 poles
	Style C: For connectors from 16 to 64 poles




See tables for coding feature arrangement and style

-Technical information available on a separate document ref: DS 09181200001  
 -Full range of P/N's and dimensions shown on page 2/2

	All Dimensions in mm Original Size DIN A3	Scale 2:1	Free size tol.		Ref.
	All rights reserved Department EC PD - FR	Created by DOUGE	Inspected by BAGDIKIAN	Standardisation HOFFMANN	Date 2014-05-16
HARTING Electronics GmbH D-32339 Espelkamp	Title SEK 18 male STD angled w/O levers			Doc-Key / ECM-Nr. 100566960/UGD/001/A 50000068837	
	Type TB	Number 09185XXX921		Rev. A	Page 1/2

Nb of Contacts	Performance Level			Insulator Color	Dimensions			
	PL3	PL2	S4		A Max	B	D	E
	Part Number	Part Number	Part Number					
06	0918 506 7921	0918 506 6921	0918 506 5921	Grey	27,2	16,76	12,45	2,54 x 2 = 5,08
10	0918 510 7921	0918 510 6921	0918 510 5921		32,3	21,84	17,53	2,54 x 4 = 10,16
14	0918 514 7921	0918 514 6921	0918 514 5921		37,4	26,92	22,61	2,54 x 6 = 15,24
16	0918 516 7921	0918 516 6921	0918 516 5921		39,9	29,46	25,15	2,54 x 7 = 17,78
20	0918 520 7921	0918 520 6921	0918 520 5921		45,0	34,54	30,23	2,54 x 9 = 22,86
24	0918 524 7921	0918 524 6921	0918 524 5921		50,1	39,62	35,91	2,54 x 11 = 27,94
26	0918 526 7921	0918 526 6921	0918 526 5921		52,6	42,16	37,85	2,54 x 12 = 30,48
30	0918 530 7921	0918 530 6921	0918 530 5921		58,0	47,24	43,83	2,54 x 14 = 35,56
34	0918 534 7921	0918 534 6921	0918 534 5921		62,8	52,32	48,01	2,54 x 16 = 40,64
40	0918 540 7921	0918 540 6921	0918 540 5921		70,4	59,94	55,63	2,54 x 19 = 48,26
50	0918 550 7921	0918 550 6921	0918 550 5921		83,1	72,64	68,33	2,54 x 24 = 60,96
60	0918 560 7921	0918 560 6921	0918 560 5921		95,8	85,34	81,03	2,54 x 29 = 73,66
64	0918 564 7921	0918 564 6921	0918 564 5921		100,9	90,42	86,11	2,54 x 31 = 78,74
06	0918 506 7921 001	0918 506 6921 001	0918 506 5921 001		Black	27,2	16,76	12,45
10	0918 510 7921 001	0918 510 6921 001	0918 510 5921 001	32,3		21,84	17,53	2,54 x 4 = 10,16
14	0918 514 7921 001	0918 514 6921 001	0918 514 5921 001	37,4		26,92	22,61	2,54 x 6 = 15,24
16	0918 516 7921 001	0918 516 6921 001	0918 516 5921 001	39,9		29,46	25,15	2,54 x 7 = 17,78
20	0918 520 7921 001	0918 520 6921 001	0918 520 5921 001	45,0		34,54	30,23	2,54 x 9 = 22,86
24	0918 524 7921 001	0918 524 6921 001	0918 524 5921 001	50,1		39,62	35,91	2,54 x 11 = 27,94
26	0918 526 7921 001	0918 526 6921 001	0918 526 5921 001	52,6		42,16	37,85	2,54 x 12 = 30,48
30	0918 530 7921 001	0918 530 6921 001	0918 530 5921 001	58,0		47,24	43,83	2,54 x 14 = 35,56
34	0918 534 7921 001	0918 534 6921 001	0918 534 5921 001	62,8		52,32	48,01	2,54 x 16 = 40,64
40	0918 540 7921 001	0918 540 6921 001	0918 540 5921 001	70,4		59,94	55,63	2,54 x 19 = 48,26
50	0918 550 7921 001	0918 550 6921 001	0918 550 5921 001	83,1		72,64	68,33	2,54 x 24 = 60,96
60	0918 560 7921 001	0918 560 6921 001	0918 560 5921 001	95,8		85,34	81,03	2,54 x 29 = 73,66
64	0918 564 7921 001	0918 564 6921 001	0918 564 5921 001	100,9		90,42	86,11	2,54 x 31 = 78,74

	All rights reserved	Created by	Inspected by	Standardisation	Date	State	
	Department EC PD - FR	DOUGE	BAGDIKIAN	HOFFMANN	2014-05-16	Final Release	
HARTING Electronics GmbH D-32339 Espelkamp		Title SEK 18 male STD angled w/O levers				Doc-Key / ECM-Nr. 100566960/UGD/001/A 50000068837	
		Type	Number	Rev.		Page	
		TB	09185XXX921	A		2/2	