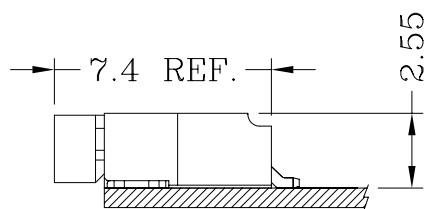


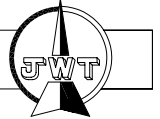
Assembly Layout



Specifications:

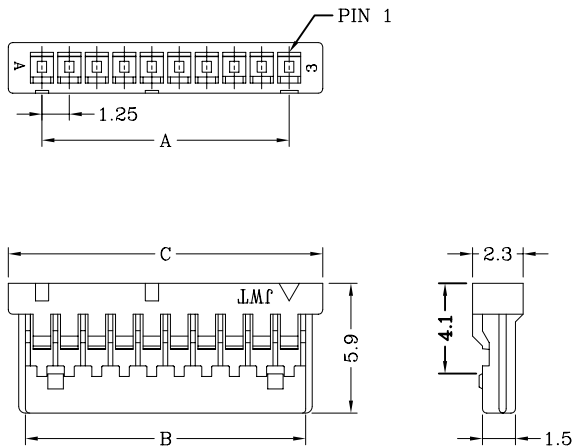
Poles	2~30 Poles
Pitch between poles	1.25mm
Rated Voltage	150V AC,DC
Rated Current	1A (AWG #28)
Withstand Voltage	500V AC/minute
Contact Resistance	30mΩ (MAX.)
Insulation Resistance	500MΩ (MIN.)
Temperature Range	-35~+85°C
Applicable Wire Range	AWG #28~#32

A1255 Series 1.25mm pitch crimp terminal socket



Features:

- * Available in 2 through 30 circuits
- * Material: Nylon 66 UL 94V-0 (Beige)
- * Suitable for JWT A1255 series terminal



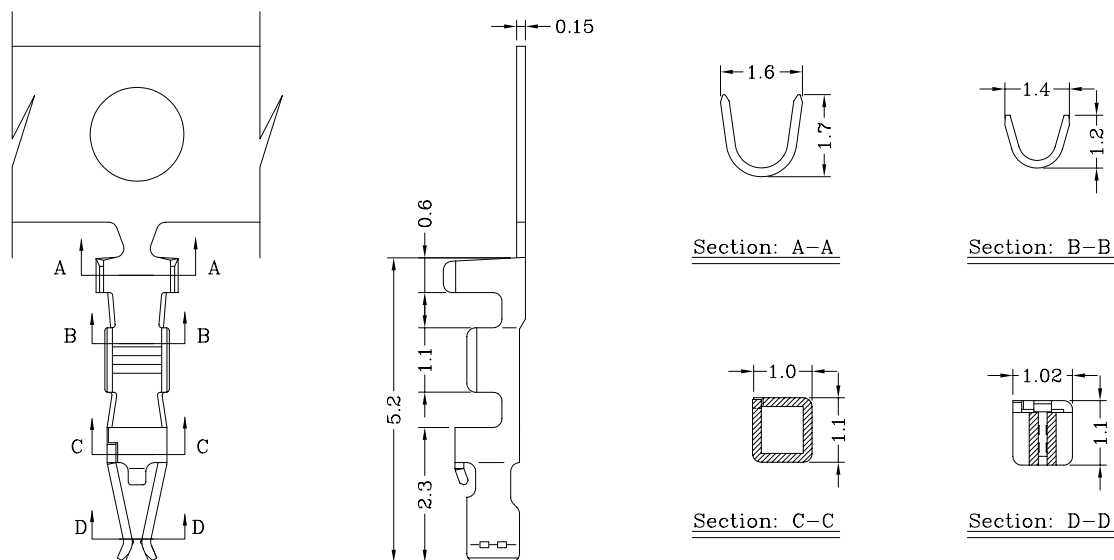
Dimensional & Ordering Information:

Circuits	Part No	Dimensions			Pcs/Bag
		A	B	C	
2	A1255H00-2P	1.25	2.75	4.30	1000
3	A1255H00-3P	2.50	4.00	5.55	1000
4	A1255H00-4P	3.75	5.25	6.80	1000
5	A1255H00-5P	5.00	6.50	8.05	1000
6	A1255H00-6P	6.25	7.75	9.30	1000
7	A1255H00-7P	7.50	9.00	10.55	1000
8	A1255H00-8P	8.75	10.25	11.80	1000
9	A1255H00-9P	10.00	11.50	13.05	1000
10	A1255H00-10P	11.25	12.75	14.30	1000
15	A1255H00-15P	17.50	19.00	20.55	1000
20	A1255H00-20P	23.75	25.25	26.80	1000
25	A1255H00-25P	30.00	31.50	33.05	1000
30	A1255H00-30P	36.25	37.75	39.30	1000

A1255 Series 1.25mm pitch crimp terminal

Features:

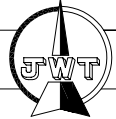
- * Used in JWT A1255 series socket



Specification & Ordering Information:

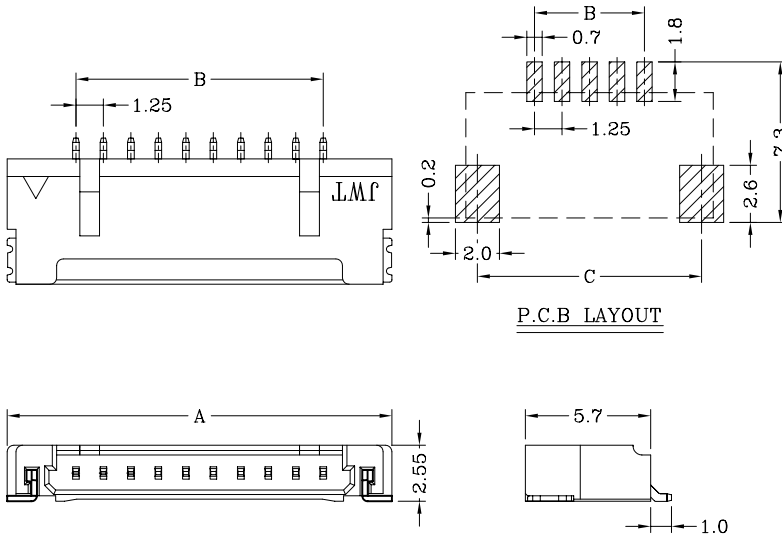
Part No	Wire Range	Insulation O.D.	Material	Finish	Qty/reel
A1255TOP-2	AWG #28~#32	0.90mm(max)	Phosphor bronze	Tin Plated	20,000 pcs
A1255TOP-00	AWG #28~#32	0.90mm(max)	Phosphor bronze	Gold Flash	20,000 pcs

A1255 Series 1.25mm pitch wafer (R-SMT Type)



Features:

- * Available in 2 through 30 circuits
- * Material: Insulator: Nylon 6T UL 94V-0 (Milky Yellow)
Contact Post: Phosphor Bronze, Tin Plated
Solder Tab: 0.25mm^t, Phosphor Bronze Tin Plated
- * Mates with JWT A1255 series socket



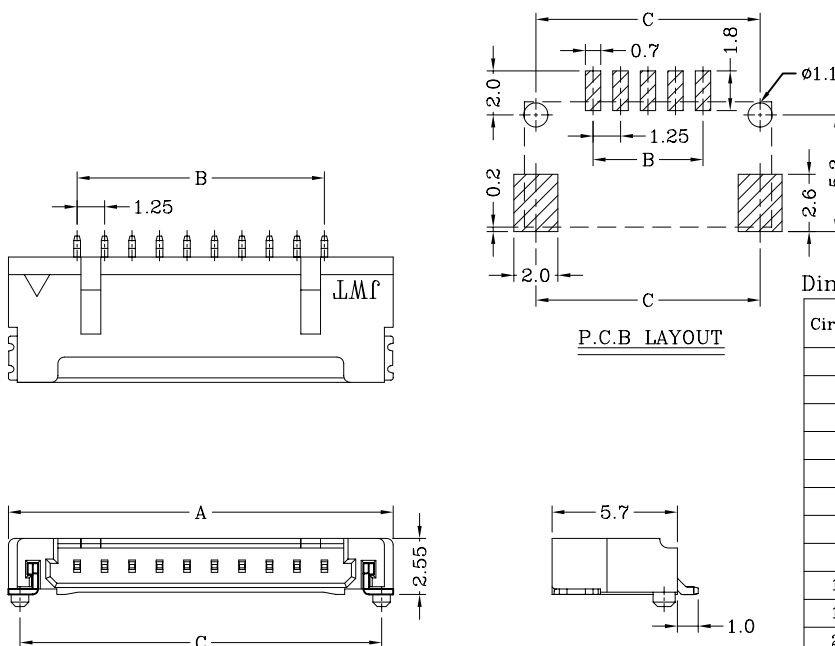
Dimensional & Ordering Information:

Circuits	Part No.	Dimensions			Pcs/RL
		A	B	C	
2	A1255WRO-2PS	7.50	1.25	6.45	1300
3	A1255WRO-3PS	8.75	2.50	7.70	1300
4	A1255WRO-4PS	10.00	3.75	8.95	1300
5	A1255WRO-5PS	11.25	5.00	10.20	1300
6	A1255WRO-6PS	12.50	6.25	11.45	1300
7	A1255WRO-7PS	13.75	7.50	12.70	1300
8	A1255WRO-8PS	15.00	8.75	13.95	1300
9	A1255WRO-9PS	16.25	10.00	15.20	1300
10	A1255WRO-10PS	17.50	11.25	16.45	1300
15	A1255WRO-15PS	23.75	17.50	22.70	1300
20	A1255WRO-20PS	30.00	23.75	28.95	1300
25	A1255WRO-25PS	36.25	30.00	35.20	1300
30	A1255WRO-30PS	42.50	36.25	41.45	1300

A1255 Series 1.25mm pitch wafer (R-SMT Boss Type)

Features:

- * Available in 2 through 30 circuits
- * Material: Insulator: Nylon 6T UL 94V-0 (Milky Yellow)
Contact Post: Phosphor Bronze, Tin Plated
Solder Tab: 0.25mm^t, Phosphor Bronze Tin Plated
- * Mates with JWT A1255 series socket



Dimensional & Ordering Information:

Circuits	Part No.	Dimensions			Pcs/RL
		A	B	C	
2	A1255WRO-2PSBS	7.50	1.25	6.45	1400
3	A1255WRO-3PSBS	8.75	2.50	7.70	1400
4	A1255WRO-4PSBS	10.00	3.75	8.95	1400
5	A1255WRO-5PSBS	11.25	5.00	10.20	1400
6	A1255WRO-6PSBS	12.50	6.25	11.45	1400
7	A1255WRO-7PSBS	13.75	7.50	12.70	1400
8	A1255WRO-8PSBS	15.00	8.75	13.95	1400
9	A1255WRO-9PSBS	16.25	10.00	15.20	1400
10	A1255WRO-10PSBS	17.50	11.25	16.45	1400
15	A1255WRO-15PSBS	23.75	17.50	22.70	1400
20	A1255WRO-20PSBS	30.00	23.75	28.95	1400
25	A1255WRO-25PSBS	36.25	30.00	35.20	1400
30	A1255WRO-30PSBS	42.50	36.25	41.45	1400