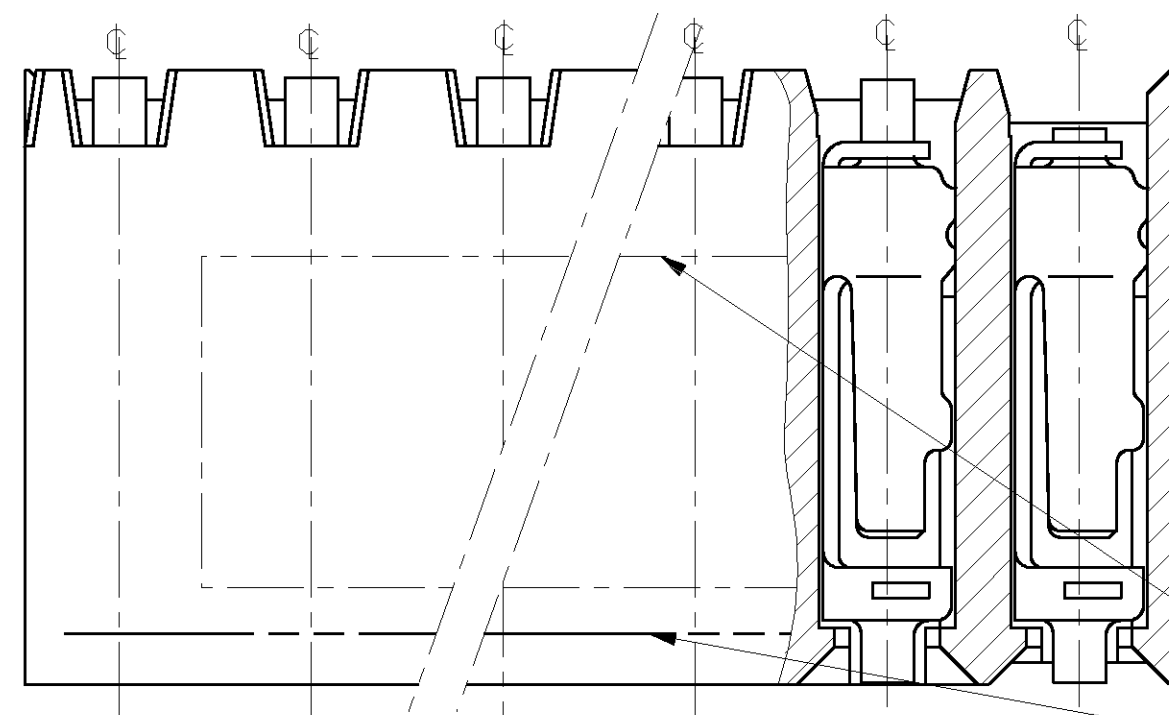
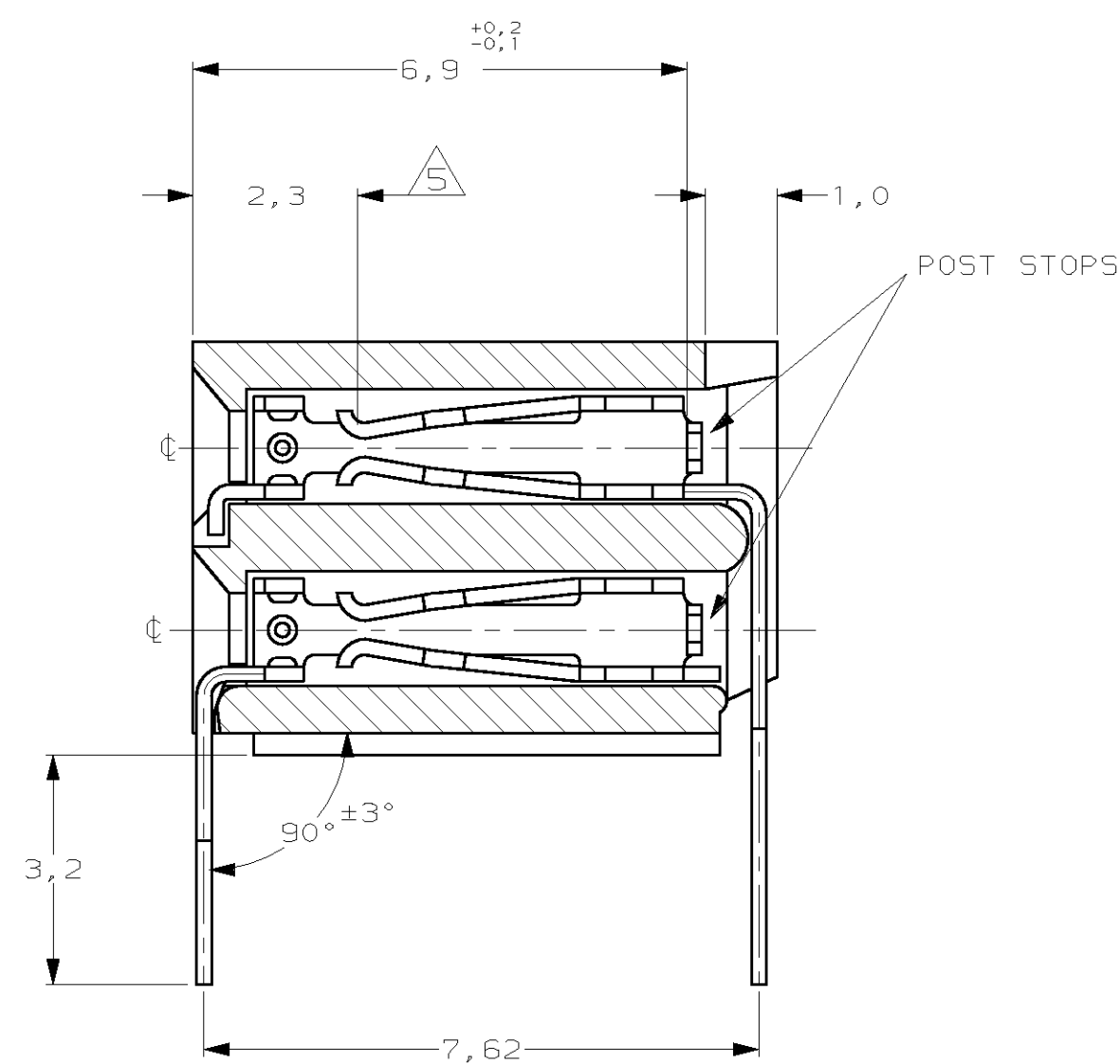
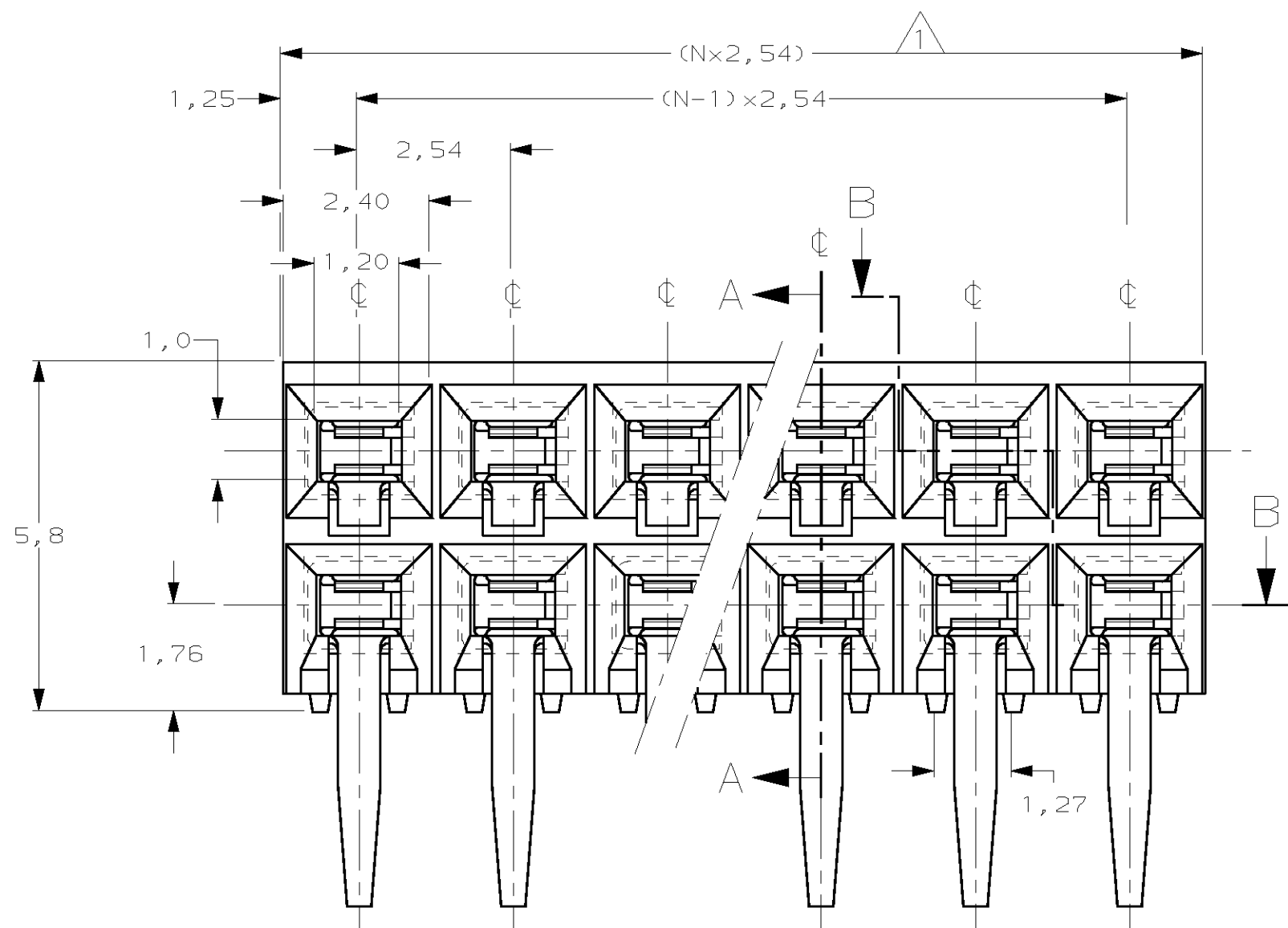


NOTES:

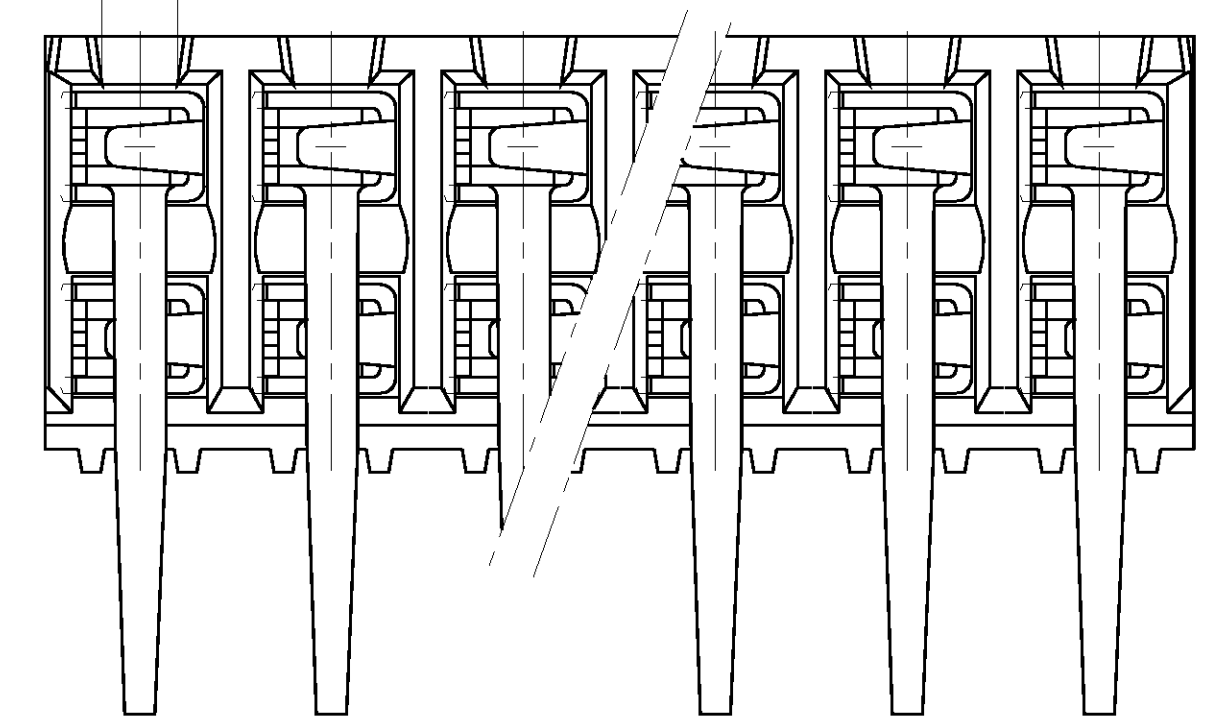
- 1 TO DETERMINE DIMENSIONS TAKE N=NR. OF POS.  
FOR EXAMPLE, 10 POS.,  $N \times 2,54 = 25,4$ mm.  
FOR ORDERNR. USE BASIC NR.+NR. OF POS.  
FOR EXAMPLE,  $2 \times 2$  POS. = 216604-2 (SHORTEST VERSION)  
 $2 \times 65$  POS. = 6-216604-5 (LONGEST VERSION)
  - 2 HOUSING MATERIAL, GREEN GLASSFILLED POLYESTER, UL 94V-0  
CONTACT MATERIAL, PHOSPHORBRONZE.
  - 3 PLATING, UNDERCOATING, 1,3µm Ni  
AT CONT. PLACE, 0,8µm Au  
AT SOLDER-TINES, 3,0-5,0µm TIN
  - 4 MATES WITH 0,63 SQUARE/ROUND MODU POSTS.
  - 5 CONTACT-POINT.
  - 6 RECOMMENDED P.C. BOARD-THICKNESS, 1,6mm.
- PRINTED: BASIC PARTNUMBER, THE WORD "AMP", PRODUCTION DATE AND A DASHED LINE OVER THE LENGTH OF HOUSING TO INDICATE CONTACT MATING SIDE.



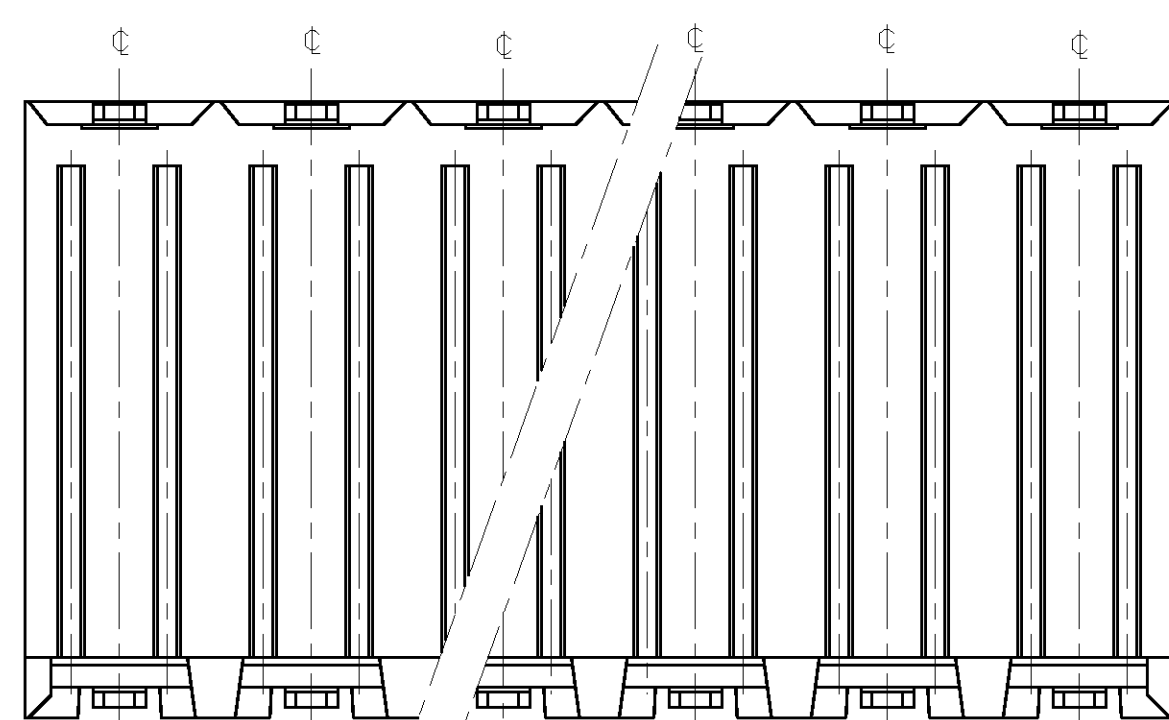
SECTION B-B/TOP VIEW



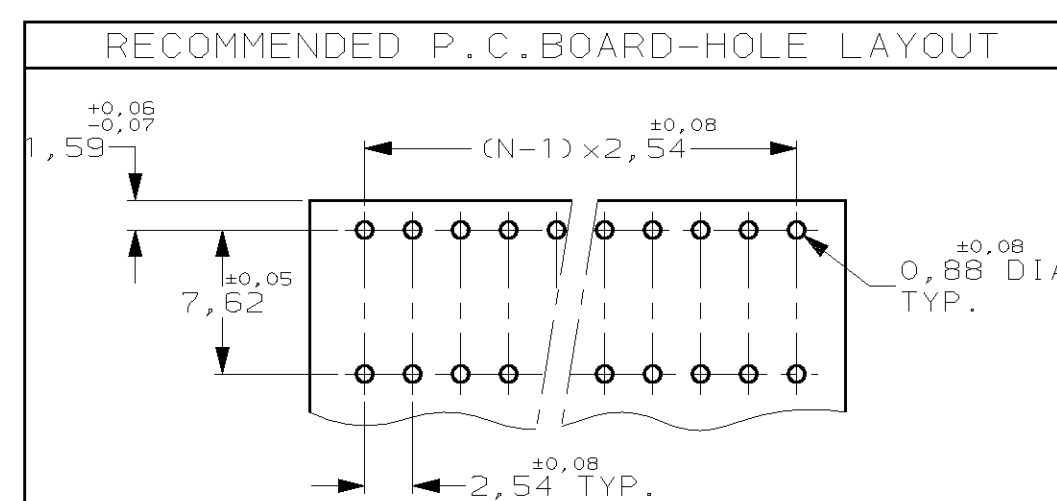
SECTION A-A



REAR VIEW



BOTTOM VIEW



RECOMMENDED P.C. BOARD-HOLE LAYOUT				FINISH		MATERIAL		PARTNUMBER	
-	-	-	-	-	-	-	-	CUSTOMER DRAWING FOR REFERENCE ONLY WILL NOT BE UPDATED	
-	-	-	-	-	-	-	-	© COPYRIGHT 1991 BY AMP HOLLAND B.V. ALL INTERNATIONAL RIGHTS RESERVED. AMP PRODUCTS MAY BE COVERED BY U.S. AND FOREIGN AND/OR PATENTS PENDING.	
H1	EU00-0011-03	TISZA K155	ZITZ	20 MAY 03	THIS DRAWING IS UNPUBLISHED RELEASED FOR PUBLICATION DEC, 1991				
H	EH-0467-97	JvL	RB	06-05-97	<b>AMP</b> AMP HOLLAND B.V. 's-Hertogenbosch, The Netherlands.				
G	EH-1294-96	RdB	RdB	07 NOV 96					
F	H-8257	LvdH	WRA	17 APR '92	NAME HV 190 HOR. ASS'Y DUAL ROW GOLD VERSION (MAX. 2X65 POSITIONS)				
E	ECN H9408	WRA	WRA	19-12-91	DRG.No. C-216604				
LTR.	REVISION RECORD	DR.	CHK.	DATE	REV.LTR. SHEET H1 1 OF 1 A2				
DR.:	W.R.ANNOKKEE	CHK.:	R. de Bliock	APP.:	R.SHEETS	DATE: 19-12-91 DATE: 07 NOV 95 DATE: 07-NOV-95			