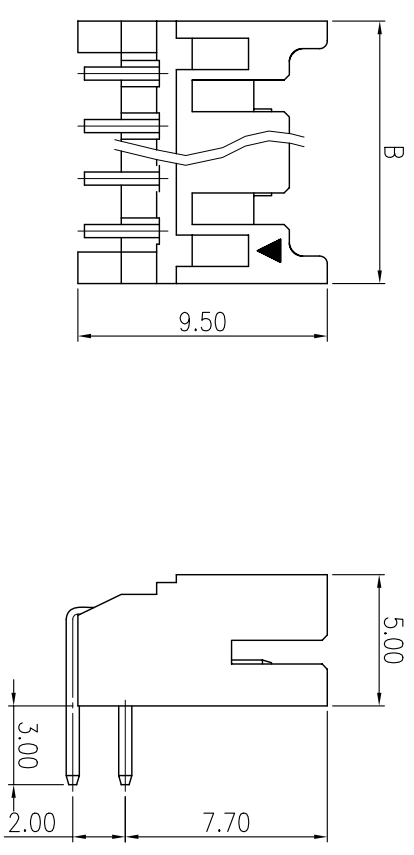
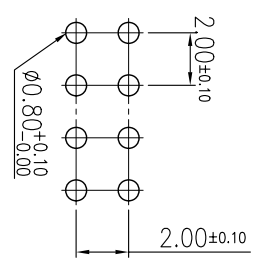
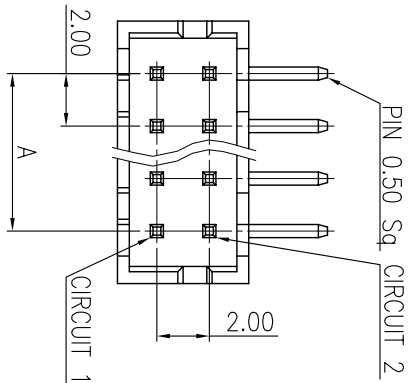


8 7 6 5 4 3 2 1
 VI.1 NOTE: THIS DEVICE IS ROHS COMPLIANT.

		REVISIONS			
SYM	DESCRIPTION	DATE	APPROVED	SYM	DESCRIPTION
Δ	NOTE ROHS STANDARD	31/MAR/06	AARON	Δ	
Δ				Δ	

****CUSTOMER DRAWING FOR REFERENCE ONLY, SAMPLES APPROVAL ARE REQUIRED!!**



PART NO.	Contacts	DIMENSIONS(mm)	
		A	B
MCb005-Pa0202T	2X2	2.00	6.00
MCb005-Pa0302T	2X3	4.00	8.00
MCb005-Pa0402T	2X4	6.00	10.00
MCb005-Pa0502T	2X5	8.00	12.00
MCb005-Pa0602T	2X6	10.00	14.00
MCb005-Pa0702T	2X7	12.00	16.00
MCb005-Pa0802T	2X8	14.00	18.00
MCb005-Pa0902T	2X9	16.00	20.00
MCb005-Pa1002T	2X10	18.00	22.00
MCb005-Pa1102T	2X11	20.00	24.00
MCb005-Pa1202T	2X12	22.00	26.00
MCb005-Pa1302T	2X13	24.00	28.00
MCb005-Pa1402T	2X14	26.00	30.00
MCb005-Pa1502T	2X15	28.00	32.00
MCb005-Pa1602T	2X16	30.00	34.00
MCb005-Pa1702T	2X17	32.00	36.00
MCb005-Pa1802T	2X18	34.00	38.00
MCb005-Pa1902T	2X19	36.00	40.00
MCb005-Pa2002T	2X20	38.00	42.00

SPECIFICATIONS
 CURRENT RATING: 1A AC,DC
 VOLTAGE RATING: 130V AC,DC
 TEMPERATURE RANGE: -25°C ~ +85°C
 CONTACT RESISTANCE: 20MΩ MAX.
 INSULATION RESISTANCE: 1000MΩ MIN.
 WITHSTAND VOLTAGE : 800V AC / MINUTE
 PIN MATERIAL: BRASS / TIN-PLATED
 MATERIAL: NYLON 66, UL94V-0

ORDER INFORMATION
 MCB005-PaXXX02T
 MC: WAFER SERIES
 b: PITCH = 2.00mm
 005: SERIES NO.
 Pa: PCB TYPE, RIGHT ANGLE
 XX: NO. OF CONTACTS
 02: DOUBLE ROWS
 T: CONTACT PLATING , TIN
 PLATED OVER ALL

MATING		HOUSING	MCb005-XX02-H	TERMINAL	MCb005-T
TOLERANCES UNLESS OTHERWISE SPECIFIED	SIGNATURES				
±0.30	DRAWN VVI	DATE	11/DEC/03	TITLE	WAFER
SYMBOL Δ	CHECKED ZOJA	11/DEC/03	NO.	MCb005-Pa__02T	
UNIT mm	SCALE 5/1	APPROVALS			

MMT CORPORATION