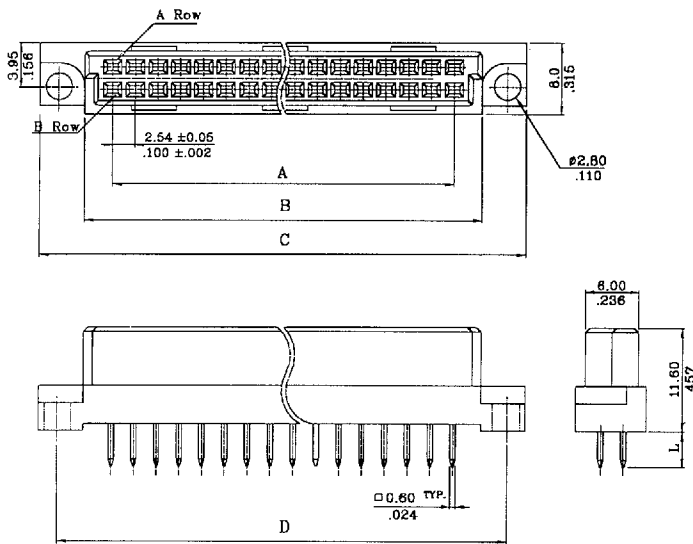


# 2215 Series DIN 41612 (Dual Row) Straight Female Connector



## Ordering Information:

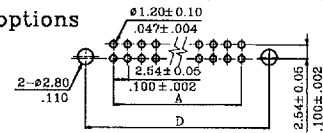
Unit :  $\frac{\text{mm}}{\text{inch}}$

2 2 1 5 S 64 U \* \* 0  
1 2 3 4 5 6 7 8

- Series No.  
2 = Dual row
- 1 = Straight
- 5 = Female type
- No. of circuits
- Contact plating :  
T = Tin plated  
U = Gold, flash over 50 $\mu$ " nickel,  
W = 15 $\mu$ " selective gold over 50 $\mu$ " nickel  
Z = 30 $\mu$ " selective gold over 50 $\mu$ " nickel
- Dip length (L)  
A = 4.0mm(.157")  
B = 2.5mm(.098")  
C = 13.0mm(.512")  
D = 17.0mm(.669")
- Pin omit options

Pitch	Circuits	Code	Row	Pitch	Circuits	Code	Row
2.54mm (.100")	64	0	AB	5.08mm (.200")	32	D	AB
	32	E	A		16	L	A
	32	0	AB		16	G	AB
	16	F	A		8	P	A

## 8. Special options

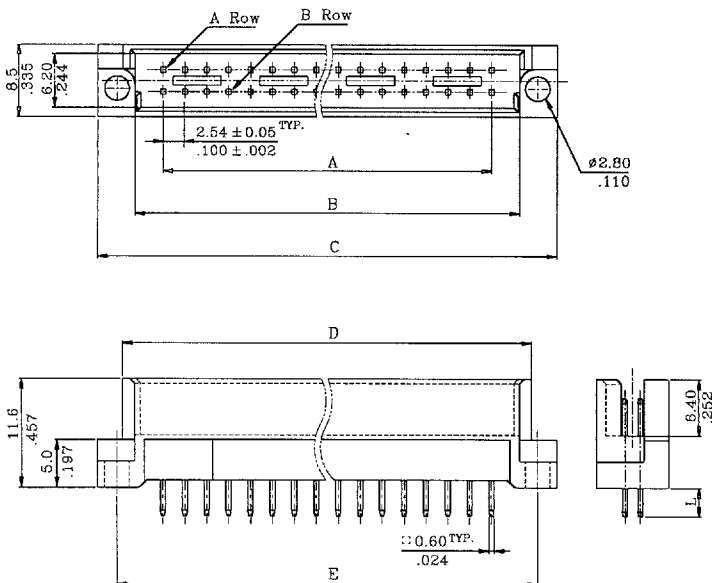


RECOMMENDED HOLE PATTERN

## Dimensional & Ordering Information:

Circuits	Dim. A	Dim. B	Dim. C	Dim. D
32	38.10(1.500)	44.40(1.748)	54.5(2.146)	50.00(1.968)
64	78.74(3.100)	85.00(3.346)	95.0(3.740)	90.50(3.563)

# 2216 Series DIN 41612 (Dual Row) Straight Male Connector



## Ordering Information:

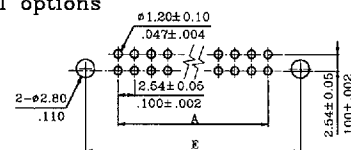
Unit :  $\frac{\text{mm}}{\text{inch}}$

2 2 1 6 P 64 U A \* 0  
1 2 3 4 5 6 7 8

- Series No.  
2 = Dual row
- 1 = Straight
- 6 = Male type
- No. of circuits
- Contact plating :  
T = Tin plated  
U = Gold, flash over 50 $\mu$ " nickel,  
W = 15 $\mu$ " selective gold over 50 $\mu$ " nickel  
Z = 30 $\mu$ " selective gold over 50 $\mu$ " nickel
- Dip length (L)  
A = 4.0mm(.157")  
B = 2.5mm(.098")  
C = 14.7mm(.579")
- Pin omit options

Pitch	Circuits	Code	Row	Pitch	Circuits	Code	Row
2.54mm (.100")	64	0	AB	5.08mm (.200")	32	D	AB
	32	E	A		16	L	A
	32	0	AB		16	G	AB
	16	F	A		8	P	A

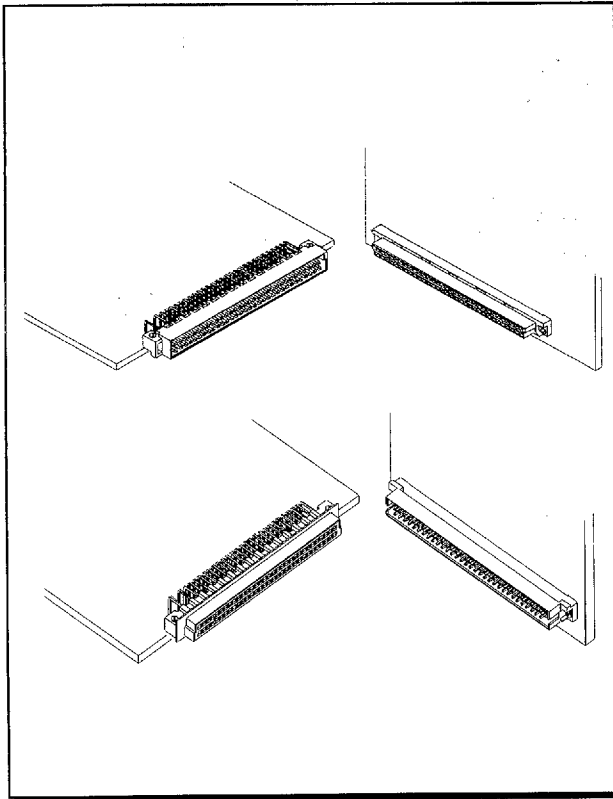
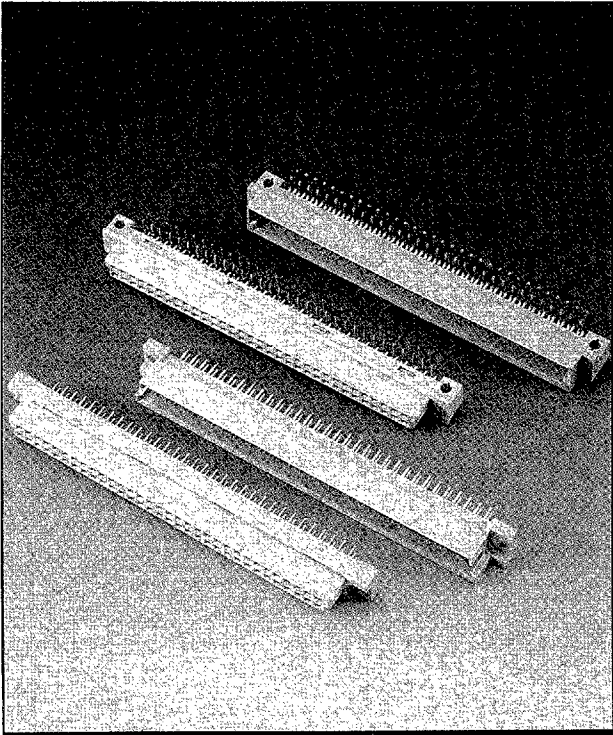
## 8. Special options



RECOMMENDED HOLE PATTERN

## Dimensional & Ordering Information:

Circuits	Dim. A	Dim. B	Dim. C	Dim. D	Dim. E
32	38.10(1.500)	44.60(1.756)	54.4(2.141)	47.40(1.866)	50.00(1.970)
64	78.74(3.100)	85.20(3.354)	95.0(3.740)	88.00(3.465)	90.00(3.543)



## Features

- ◆ **2215 Connector:**
  - Available in 8,16,32 and 64 circuits
  - High density (64 positions)
  - Glass filled polyester UL94V-0
  - Low mating force
  - Minimizes plating wear on contact surfaces
  - High reliability contact design
  - Contact: Brass
  - Color: Grey
  - Plating options are available
  - Mates with Leoco 2216 and 2226 series connector
- ◆ **2216 Connector:**
  - Available in 8,16,32 and 64 circuits
  - High density (64 positions)
  - Glass filled polyester UL94V-0
  - Low mating force
  - Minimizes plating wear on contact surfaces
  - High reliability contact design
  - Contact: Brass
  - Color: Grey
  - Plating options are available
  - Mates with Leoco 2215 and 2225 series connector
- ◆ **2225 Connector:**
  - Available in 8,16,32 and 64 circuits
  - High density (64 positions)
  - Glass filled polyester UL94V-0
  - Low mating force
  - Minimizes plating wear on contact surfaces
  - High reliability contact design
  - Contact: Phosphor bronze
  - Color: Grey
  - Plating options are available
  - Mates with Leoco 2216 and 2226 series connector
- ◆ **2226 Connector:**
  - Available in 8,16,32 and 64 circuits
  - High density (64 positions)
  - Glass filled polyester UL94V-0
  - Low mating force
  - Minimizes plating wear on contact surfaces
  - High reliability contact design
  - Contact: Brass
  - Color: Grey
  - Plating options are available
  - Mates with Leoco 2215 and 2225 series connector

## Specifications

- ◆ Current rating: 5A DC
- ◆ Temperature rating: -25°C ~ +105°C
- ◆ Contact resistance: 20mΩ max.
- ◆ Insulation resistance: 5,000MΩ min.
- ◆ Withstanding voltage: 1,000V AC/minute.
- ◆ Applicable PC board thickness: 1.6mm