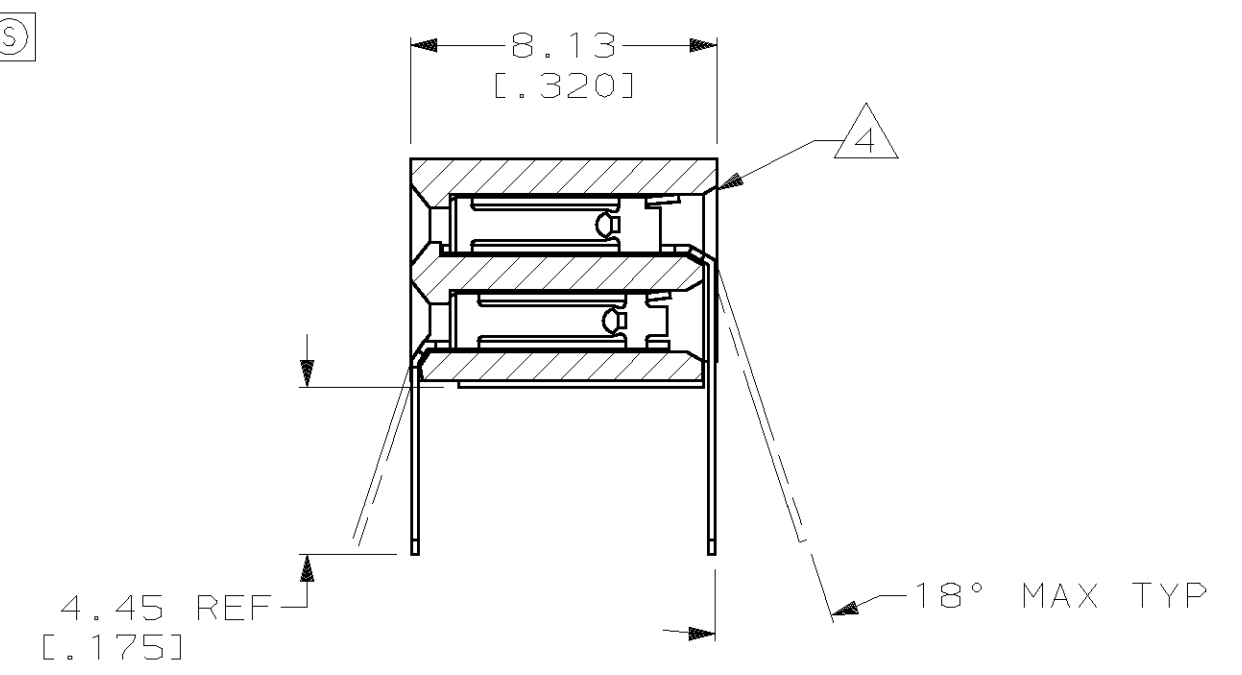
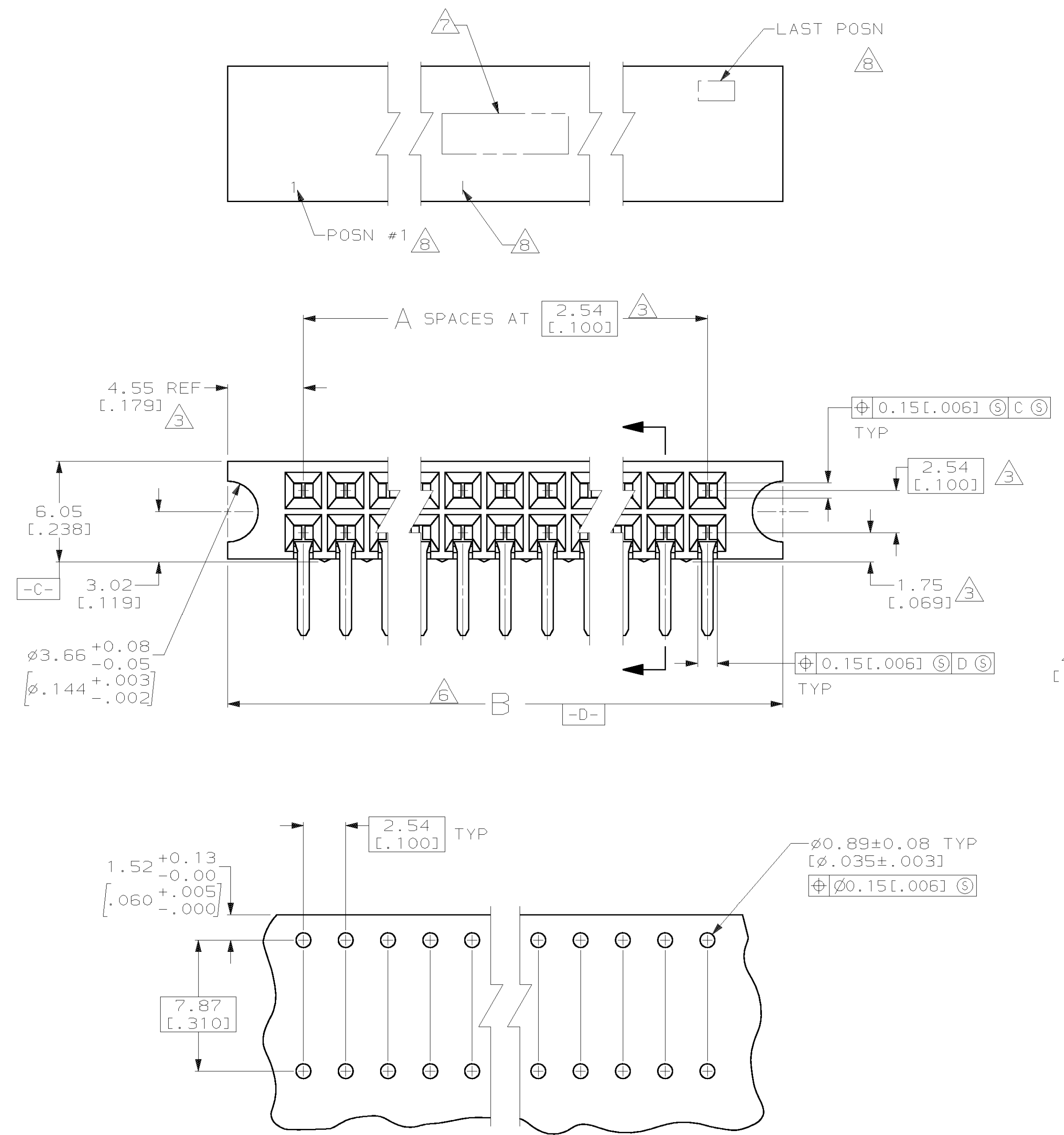


LOC		DIST		P		F		ZONE		LTR		REVISIONS			
DF	Z0											DESCRIPTION	DATE	APPD	
												C	REV PER 0600-8506-99 JEB	2-16-00	DM

1. QUALITY CONFORMANCE INSPECTION PER MIL-C-55302 (GROUP A, B & C).
2. PACKAGED PER MIL-C-55302
3. THESE DIMENSIONS PERTAIN TO CAVITY CENTERLINES ONLY, NOT TO CONTACT LOCATIONS.
4. SLOT OPTIONAL AT INDICATED AREA OF HOUSING.
5. CONTACTS: GOLD FLASH OVER 0.00076 TO 0.00381 [0.00030 TO .000150] NICKEL ENTIRE CONTACT, 0.00127 [0.00050] GOLD ON CONTACT AREA ONLY.
6. TOLERANCE TO CENTER OR RADIUS IS  $\pm 0.15$  [0.006], TO END OF BLOCK  $\pm 0.51$  [0.020].
7. INK STAMPED (WHITE), IN APPROX AREA SHOWN  
 EXAMPLE: AMP PART NO  
 DATE CODE MILITARY PART NUMBER
8. CHARACTERS INK STAMPED WHITE, IN AREA SHOWN, EVERY FIFTH POSITION MARKED WITH A BAR
9. CSA LOGO INK STAMPED WHITE ON HOUSING.
10. OBSOLETE



M55302/128-DL2E	158.95 [6.258]	59	120	10	1-102277-1
M55302/128-DA2E	133.55 [5.258]	49	100	10	1-102277-0
M55302/128-CG2E	108.15 [4.258]	39	80	10	102277-9
M55302/128-BH2E	70.05 [2.758]	24	50	10	102277-8
M55302/128-DB2E	136.09 [5.358]	50	102	10	102277-7
M55302/128-AM2E	39.57 [1.558]	12	26		102277-6
M55302/128-AK2E	34.49 [1.358]	10	22	10	102277-5
M55302/128-BN2E	82.75 [3.258]	29	60	10	102277-4
M55302/128-BK2E	75.13 [2.958]	26	54	10	102277-3
M55302/128-BM2E	80.21 [3.158]	28	58	10	102277-2
M55302/128-CJ2E	113.23 [4.458]	41	84	10	102277-1
MILITARY PART NUMBER	B	A	NO OF POSN		PART NUMBER

RECOMMENDED PC BOARD HOLE LAYOUT

DO NOT SCALE PRINT. UNLESS SPECIFIED DIMENSIONS IN mm [INCHES] TOLERANCES ON: 2 PLC DEC $\pm 0$ 3 PLC DEC $\pm 0.25$ [0.010] ANGLES $\pm$	DR 4-30-91 J GALLUCCI BG	AMP Incorporated Harrisburg, PA 17105-3508
MATERIAL HOUSING: POLYPHENYLENE SULFIDE, NATURAL CONTACTS: PH BRZ FINISH	CHK - APPD - PRODUCT SPEC - APPLICATION SPEC - WEIGHT -	
		SIZE D CAGE CODE 00779 DRAWING NO 102281 SCALE 5:1 SHEET 1 OF 1

