

VESA DCC COMPATIBLE CONNECTOR



LR49571 E60980

PHYSICAL PROPERTIES

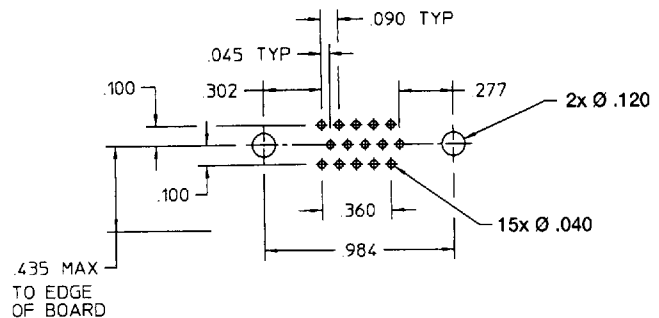
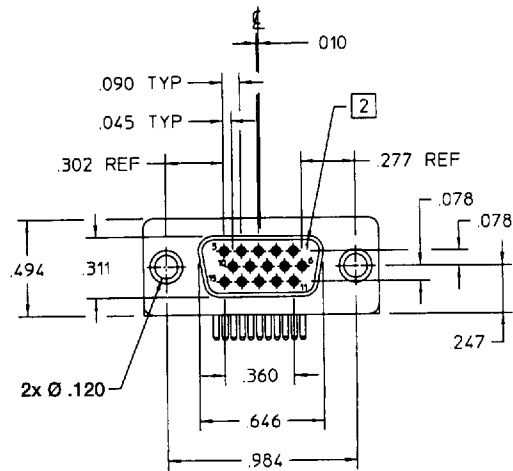
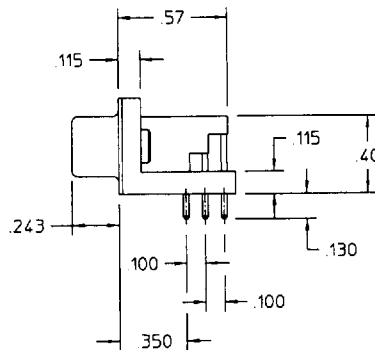
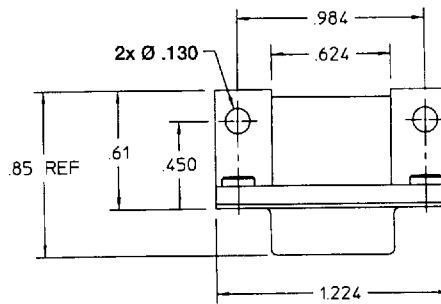
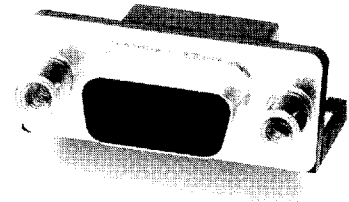
INSULATOR BODY: Glass filled polyester
UL rating 94V-0
COLOR: Blue
CONTACT: High strength copper alloy
CONTACT PLATING: 50 microinches nickel underplate
with 30 microinches gold in the mating area, 100
microinch minimum tin/lead on tails
METAL SHELL: Steel, bright tin plate

ELECTRICAL PROPERTIES

OPERATING VOLTAGE: 600 VDC (sea level)
CURRENT RATING: 5 amps
CONTACT RESISTANCE: 10 milliohms max
@ rated current
INSULATION RESISTANCE: 5000 megohms minimum
DIELECTRIC WITHSTANDING VOLTAGE: 1000 VAC minimum

ENVIRONMENTAL PROPERTIES

OPERATING TEMPERATURE: -55°C to 125°C



Ordering Information

BULKHEAD MOUNTING STYLE	CONTACT PLATING: 30 MICROINCH GOLD			CONTACT PLATING: GOLD FLASH		
	.125" THRU	PLASTIC SNAPLATCH	METAL SNAPLATCH	.125" THRU	PLASTIC SNAPLATCH	METAL SNAPLATCH
125° Thru Hole	HDR15RA29AM514	HDR15RA29APM514	HDR15RA29ASM514	HDR15RA24AM514	HDR15RA24APM514	HDR15RA24ASM514
4-40 Standoff	HDR15RA29BM514	HDR15RA29BPM514	HDR15RA29BSM514	HDR15RA24BM514	HDR15RA24BPM514	HDR15RA24BSM514
4-40 Flush	HDR15RA29CM514	HDR15RA29CPM514	HDR15RA29CSM514	HDR15RA24CM514	HDR15RA24CPM514	HDR15RA24CSM514