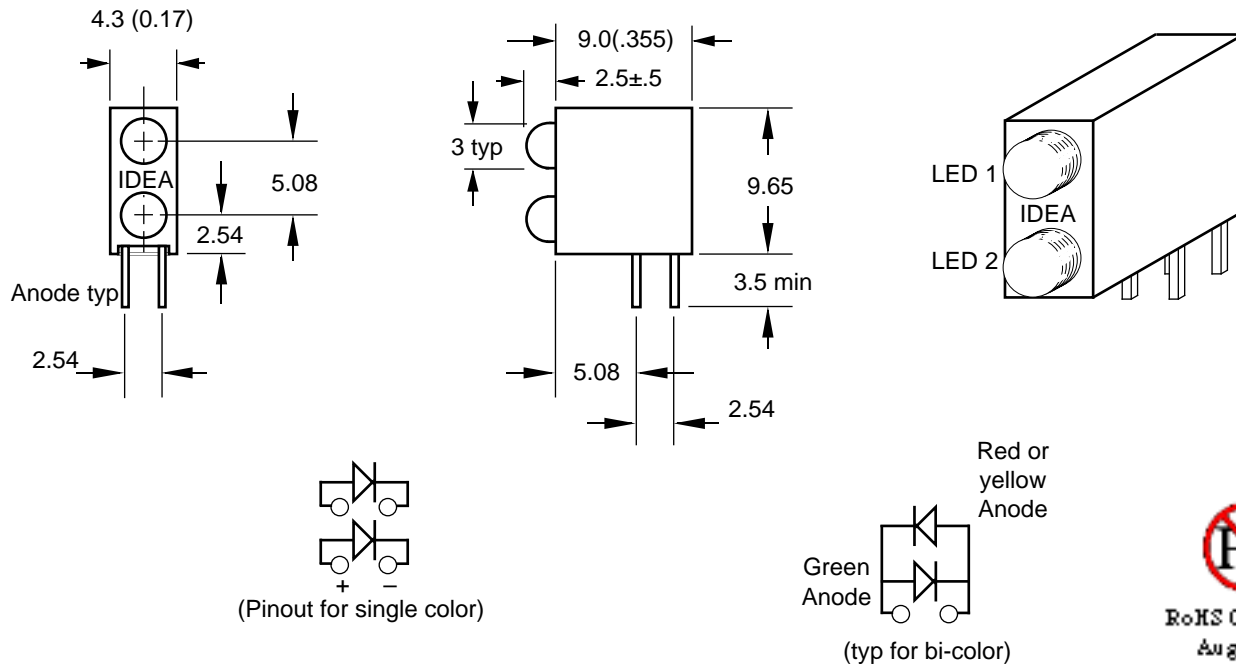


# T-1, (3-mm) Round, Bi-level PCB Mount LED Indicator, J78B Series



The J78B is one of the most popular indicators in LAN hubs and network controllers. Designed to save panel space, the assembly measures just over 4.3 mm(0.170") in width and can be CMOS driven to save components. Long arrays should be located on a pitch of 4.4 mm(0.173") to avoid crowding and tolerance build-up. For long arrays, also investigate our J784B series which is designed to replace 4 assemblies and is matched to the J78B in height, depth and lamp location.



Specify part desired as follows:

J78B/Order Code LED1 + Order Code LED 2

For example: "J78B/H+G" designates an assembly with a red LED on top and a green LED on the bottom.

"Jj78B/(H+G)-RL" designates the same assembly with leads reversed.

## ORDER CODE AND INFORMATION (ALL RATINGS AT 25°C AMBIENT)

LED Lamp			Typical Characteristics				Recom. Op. If (mA)
Epoxy & Type	Color	Order Code	Peak $\lambda$ (nm)	Vf (V) @ If=20mA	Iv (mcd) @ If= 2 mA	$2\Theta_{1/2}$ (Deg)	
Tinted Diffused	Red	I	639	1.8	4.0	50	2 - 10
	Green	G	575	1.7	2.5	60	2 - 10
	Yellow	Y	591	1.85	4.0	45	2 - 10

\* Specifications subject to change without notice. Dimensions are in mm±0.25 unless stated otherwise.