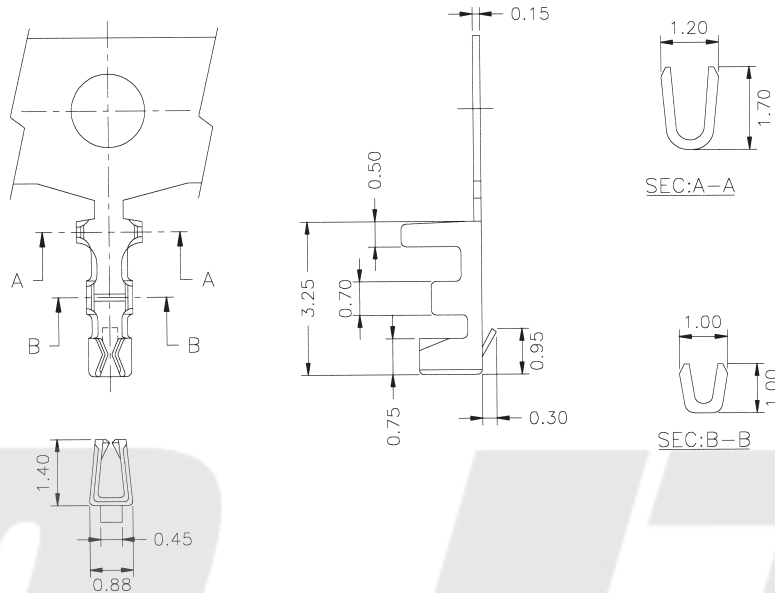


A1251T — 1.25mm pitch Crimp Terminal

Reference Informations:

*Used in CJT A1251 series Housing

*Tolerance:(unit:mm) .0 ±0.25/ .00 ±0.15/ .000 ±0.10

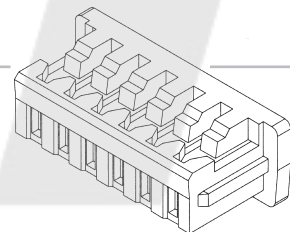


Ordering Information & Specifications:

Unit:mm

| Part No. | Wire Range | Insulation O.D. | Material | Finish | Qty/reel |
|----------|------------|-----------------|-----------------|------------|-----------|
| A1251-TP | AWG#28-#32 | 1.00mm(max) | Phosphor Bronze | Tin-plated | 10,000pcs |

A1251H — 1.25mm pitch Housing



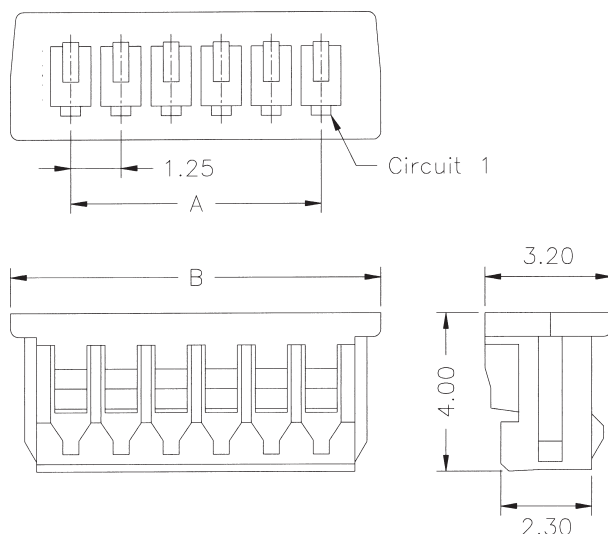
Reference Informations:

*Material: PBT,UL94V-0

*Suitable CJT A1251 series Terminal

*Mates with CJT A1251 series Wafer

*Tolerance:(unit:mm) .0 ±0.25/ .00 ±0.15/ .000 ±0.10



Ordering Information & Dimensions:

| PART NO. | Dimensions | |
|------------|------------|-------|
| | A | B |
| A1251H-2P | 1.25 | 4.25 |
| A1251H-3P | 2.50 | 5.50 |
| A1251H-4P | 3.75 | 6.75 |
| A1251H-5P | 5.00 | 8.00 |
| A1251H-6P | 6.25 | 9.25 |
| A1251H-7P | 7.50 | 10.50 |
| A1251H-8P | 8.75 | 11.75 |
| A1251H-9P | 10.00 | 13.00 |
| A1251H-10P | 11.25 | 14.25 |
| A1251H-11P | 12.50 | 15.50 |
| A1251H-12P | 13.75 | 16.75 |
| A1251H-13P | 15.00 | 18.00 |
| A1251H-14P | 16.25 | 19.25 |
| A1251H-15P | 17.50 | 20.50 |
| A1251H-16P | 18.75 | 21.75 |

Unit:mm