

# LM2791

*LM2791 Current Regulated Switched Capacitor LED Driver with Analog  
Brightness Control*



Literature Number: SNVS156L

# LM2791

## Current Regulated Switched Capacitor LED Driver with Analog Brightness Control

### General Description

The LM2791 is a CMOS charge-pump voltage doubler and regulator that provides two regulated current sources. The LM2791 is designed to drive two white (or blue) LEDs with matched currents (within  $\pm 0.3\%$ ) to produce balanced light sources for display backlights. They accept an input voltage range from 3V to 5.8V and maintain a constant current determined by an external set resistor.

The LM2791 delivers up to 36mA of load current to accommodate two high forward voltage (typically white) LEDs. The switching frequency is 450kHz (min.) to keep the conducted noise spectrum away from sensitive frequencies within portable RF devices.

In the LM2791, brightness is controlled by applying a voltage between GND and 3.0V to the BRGT pin. The LM2791 is available in active high or low shutdown versions. The shutdown pin reduces the operating current to 1 $\mu$ A (max.).

The LM2791 is available in a 10 pin leadless leadframe (LLP) CSP package.

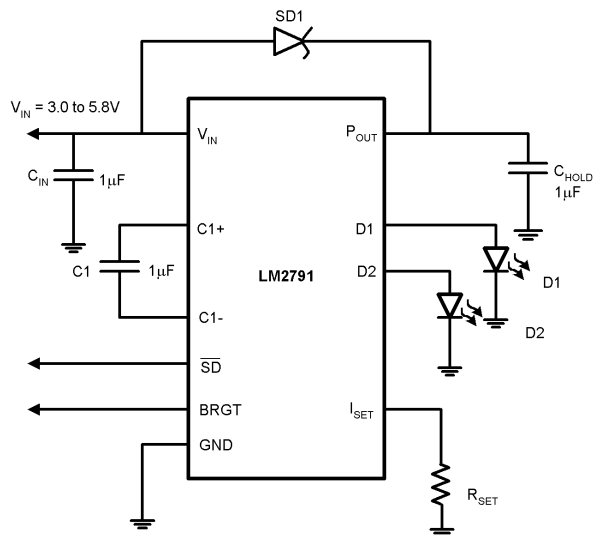
### Features

- Output matching of  $\pm 0.3\%$
- Drives up to two LED's
- 3V to 5.8V Input Voltage
- Up to 36mA output current
- Soft start limits inrush current
- Analog brightness control
- Separate shutdown input
- Very small solution size - no inductor
- 0.7mA typical operating current
- 1 $\mu$ A (max.) shutdown current
- 450kHz switching frequency (min.)
- Linear regulation generates predictable noise spectrum
- LLP-10 package: 3mm X 3mm X 0.8mm

### Applications

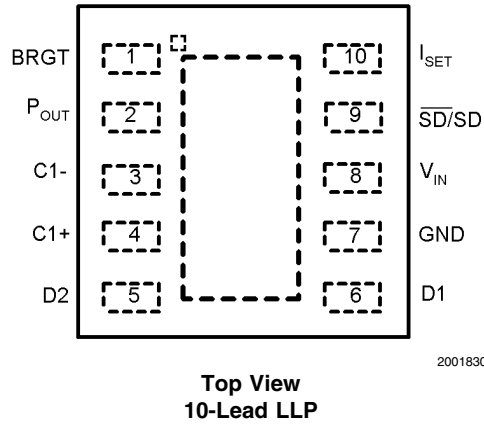
- White LED Display Backlights
- White LED Keypad Backlights
- 1-Cell Li-Ion battery-operated equipment including PDAs, hand-held PCs, cellular phones
- Flat Panel Dispalys

### Basic Application Circuit



20018301

## Connection Diagram



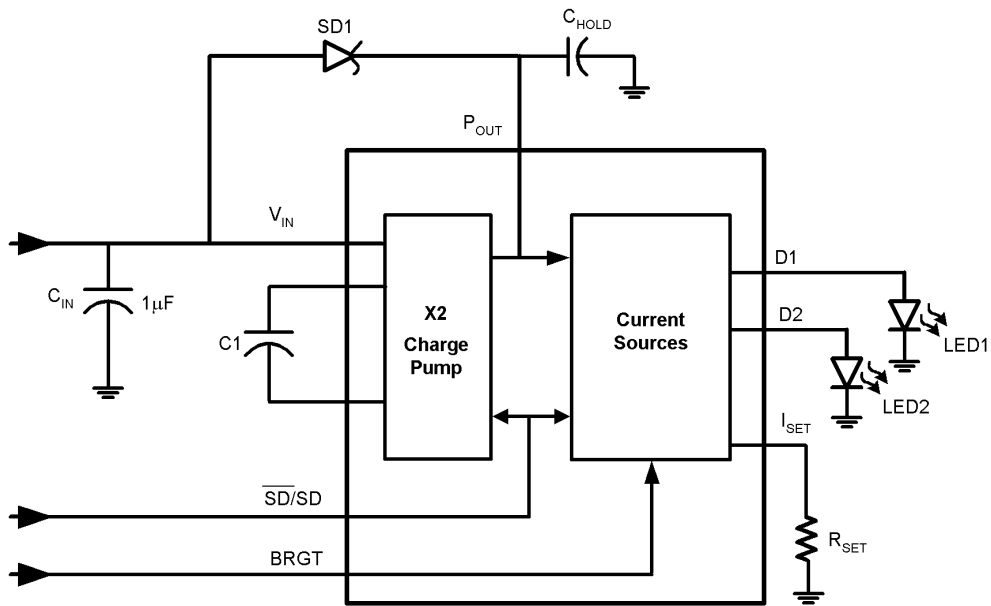
## Ordering Information

Order Number	Shutdown Polarity	NSC Package Drawing	Package Marking	Supplied As
LM2791LD-L	Active Low	LLP-10	SNB	1000 Units, Tape and Reel
LM2791LDX-L	Active Low	LLP-10	SNB	4500 Units, Tape and Reel
LM2791LD-H	Active High	LLP-10	SLB	1000 Units, Tape and Reel
LM2791LDX-H	Active High	LLP-10	SLB	4500 Units, Tape and Reel

## Pin Description

Pin	Name	Function
1	BRGT	Variable voltage input controls output current.
2	P <sub>OUT</sub>	Charge pump output.
3	C1-	Connect this pin to the negative terminal of C1.
4	C1+	Connect this pin to the positive terminal of C1.
5	D2	Current source outputs. Connect directly to LED.
6	D1	Current source outputs. Connect directly to LED.
7	GND	Power supply ground input.
8	V <sub>IN</sub>	Power supply voltage input.
9	SD/ $\overline{\text{SD}}$	Shutdown input. Device operation is inhibited when pin is asserted.
10	I <sub>SET</sub>	Current Sense Input. Connect resistor to ground to set constant current through LED.

## Block Diagram



20018302

**Absolute Maximum Ratings** (Note 1)

If Military/Aerospace specified devices are required, please contact the National Semiconductor Sales Office/Distributors for availability and specifications.

$V_{IN}$	-0.3 to 6V
BRGT, SD	-0.3 to ( $V_{IN} + 0.2V$ )
Power Dissipation(Note 2)	400 mW
$T_{JMAX}$ (Note 2)	150°C
$\theta_{JA}$ (Note 7)	55°C/W
Storage Temperature	-65°C to +100°C
Lead Temp. (Soldering, 5 sec.)	260°C

## ESD Rating

Human Body Model	2KV
Machine Model	200V

**Operating Conditions**

Input Voltage ( $V_{IN}$ )	3.0V to 5.8V
BRGT	0 to 3.0V
Ambient Temperature ( $T_A$ )	-30°C to +85°C
Junction Temperature ( $T_J$ )	-30°C to +100°C

**Electrical Characteristics**

Limits in standard typeface are for  $T_J = 25^\circ\text{C}$  and limits in **boldface type** apply over the full **Operating Temperature Range**. Unless otherwise specified,  $C_1 = C_{IN} = C_{HOLD} = 1 \mu\text{F}$ ,  $V_{IN} = 3.6V$ ,  $V_{DIODE} = 3.6V$ ,  $R_{SET} = 332\Omega$ , BRGT pin = 0V.

Symbol	Parameter	Conditions	Min	Typ	Max	Units
$I_{DX}$	Diode Current at ID1,2	$V_{IN} = 3V$ , $R_{SET} = 270\Omega$	16.5	18		mA
	Available Current at Output Dx	$V_{IN} = 3V$		14.5		
		$V_{IN} = 3.3V$	<b>12.8</b>	15.1	<b>17.7</b>	
		$V_{IN} = 3.6V$	<b>13.3</b>	15.7	<b>18.4</b>	
		$V_{IN} = 4.4V$		16.8		
$I_{DX}$	Load Regulation at Output Dx	$V_{IN} = 3.6V$ $V_{DX} = 3.0V$ $V_{DX} = 4.0V$		16 15.4		mA
$I_{DX}$	Line Regulation of Dx Output Current	$3.3V \leq V_{IN} \leq 4.4V$ $V_{DX} = 3.6V$		15.7		mA
$I_{D-MATCH}$	Current Matching Between Any Two Outputs	$3.0V \leq V_{IN} \leq 4.4V$ $V_{D1}, V_{D2} = 3.6V$		0.3		%
$I_Q$	Quiescent Supply Current	$3.0V \leq V_{IN} \leq 4.4V$ , Active, No Load Current		0.7	<b>2</b>	mA
$I_{SD}$	Shutdown Supply Current	$3.0V \leq V_{IN} \leq 5.5V$ , Shutdown at 85°C		0.1 0.3	1	$\mu\text{A}$
$V_{IH}$	SD Input Logic High	$3.0V \leq V_{IN} \leq 5.5V$ , (Note 5)	$0.8V_{IN}$			V
$V_{IL}$	SD Input Logic Low	$3.0V \leq V_{IN} \leq 5.5V$ , (Note 5)			$0.2V_{IN}$	V
$I_{LEAK-SD}$	SD Input Leakage Current	$0V \leq V_{SD} \leq V_{IN}$		0.1		$\mu\text{A}$
$R_{BRGT}$	BRGT Input Resistance			250		k $\Omega$
$I_{SET}$	$I_{SET}$ Pin Output Current			$I_{DX}/25$		mA
$f_{SW}$	Switching Frequency (Note 4)	$3.0V \leq V_{IN} \leq 4.4V$	<b>450</b>	650	<b>850</b>	kHz
$t_{START}$	Startup Time(Note 6)	$I_{DX} = 90\%$ steady state		10		$\mu\text{s}$

**Note 1:** Absolute maximum ratings indicate limits beyond which damage to the device may occur. Electrical specifications do not apply when operating the device beyond its rated operating conditions.

**Note 2:** D1 and D2 may be shorted to GND without damage.  $P_{OUT}$  may be shorted to GND for 1sec without damage.

**Note 3:** In the test circuit, all capacitors are 1.0 $\mu\text{F}$ , 0.3 $\Omega$  maximum ESR capacitors. Capacitors with higher ESR will increase output resistance, reduce output voltage and efficiency.

**Note 4:** The output switches operate at one half of the oscillator frequency,  $f_{OSC} = 2f_{SW}$ .

**Note 5:** The interanal thresholds of the shutdown bar are set at about 40% of  $V_{IN}$ .

**Note 6:** This electrical specification is guaranteed by design.

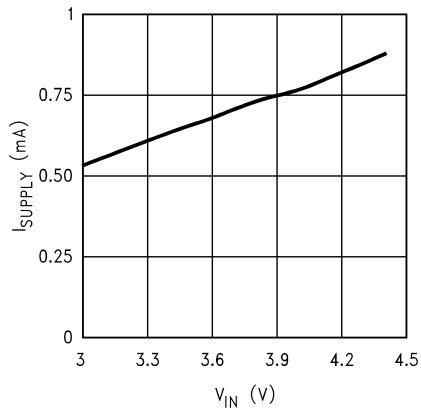
**Note 7:** For more information regarding the LLP package, please refer to National Semiconductor Application note AN1187

# Typical Performance Characteristics

Unless otherwise specified,  $C_1 = C_{IN}$ ,  $C_{HOLD} = 1\mu F$ ,  $V_{IN} = 3.6V$ ,  $V_{DIODE} = 3.6V$ ,  $BRGT\ pin = 0V$ ,  $R_{SET} = 330\Omega$

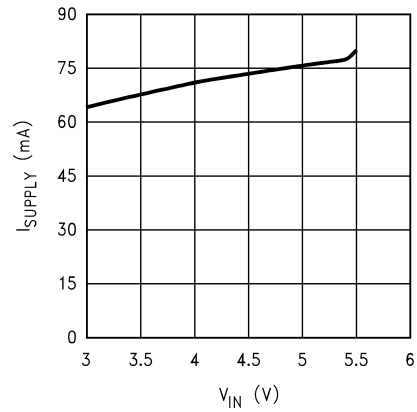
$V_{DIODE} = 3.6V$ ,  $BRGT\ pin = 0V$ ,  $R_{SET} = 330\Omega$

**Supply Current at No Load**



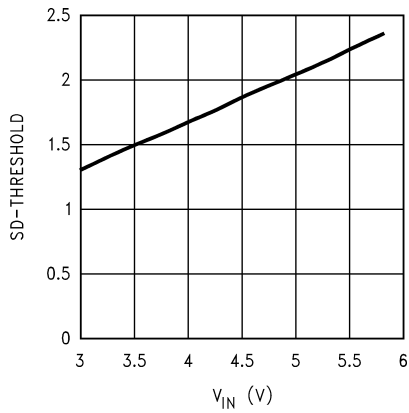
20018305

**Supply Current vs Supply Voltage**



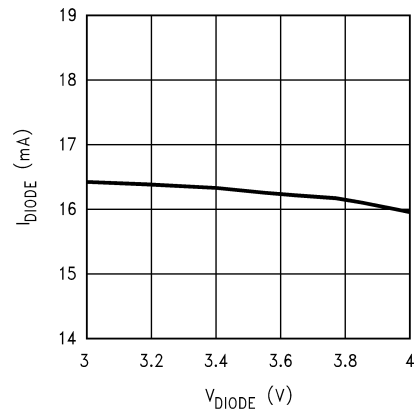
20018312

**SD-Threshold**



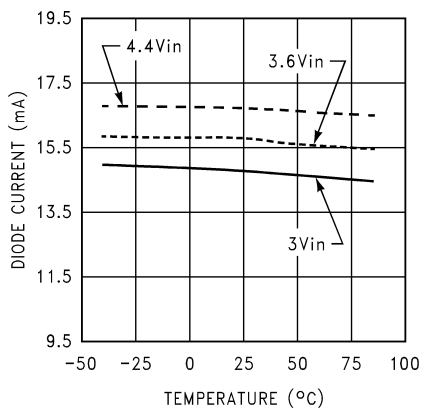
20018308

**$I_{DIODE}$  vs  $V_{DIODE}$**



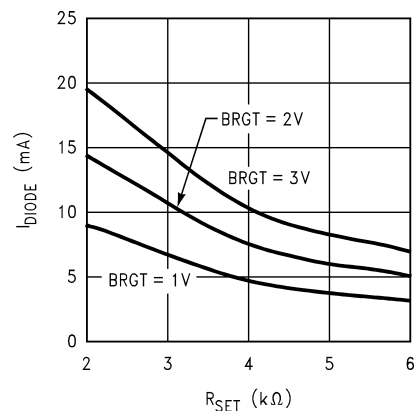
20018310

**Diode Current vs. Temperature**



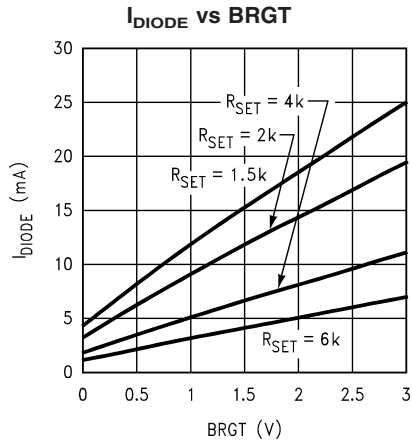
20018320

**$I_{DIODE}$  vs  $R_{Set}$**

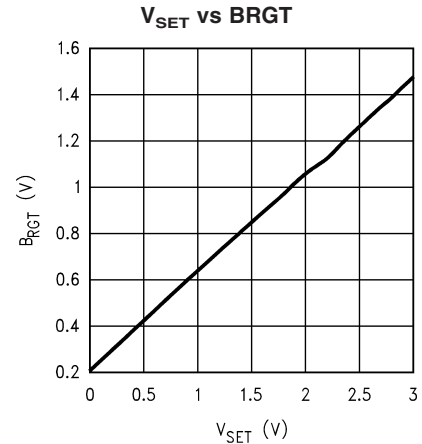


20018311

**Typical Performance Characteristics** Unless otherwise specified,  $C_1 = C_{IN}$ ,  $C_{HOLD} = 1\mu F$ ,  $V_{IN} = 3.6V$ ,  $V_{DIODE} = 3.6V$ , BRGT pin = 0V,  $R_{SET} = 330\Omega$  (Continued)

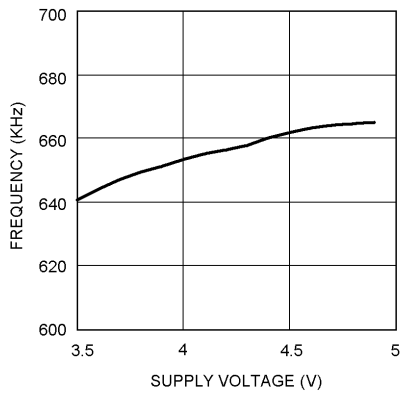


20018313



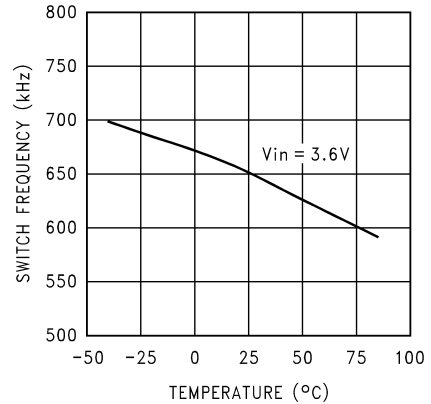
20018309

**Switching Frequency vs Supply Voltage**



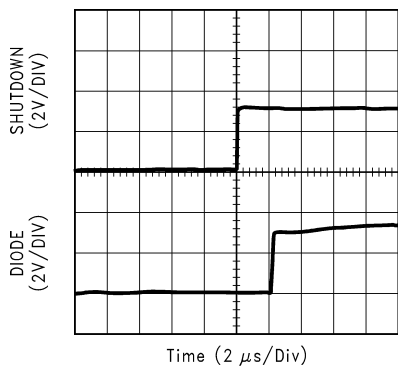
20018306

**Switching Frequency vs. Temperature**



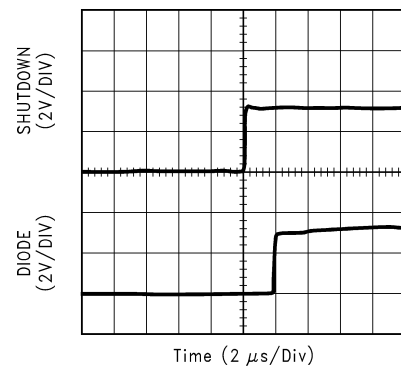
20018321

**Start Up Time @ 3.0V<sub>IN</sub>**



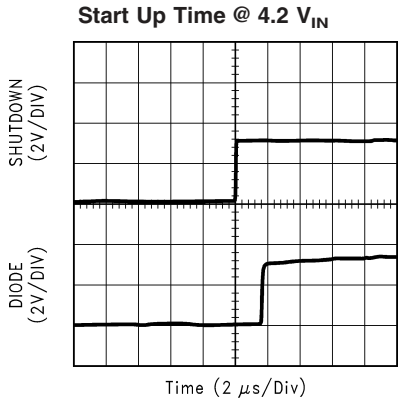
20018314

**Start Up Time @ 3.6V<sub>IN</sub>**



20018315

**Typical Performance Characteristics** Unless otherwise specified,  $C_1 = C_{IN}$ ,  $C_{HOLD} = 1\mu F$ ,  $V_{IN} = 3.6V$ ,  $V_{DIODE} = 3.6V$ , BRGT pin = 0V,  $R_{SET} = 330\Omega$  (Continued)



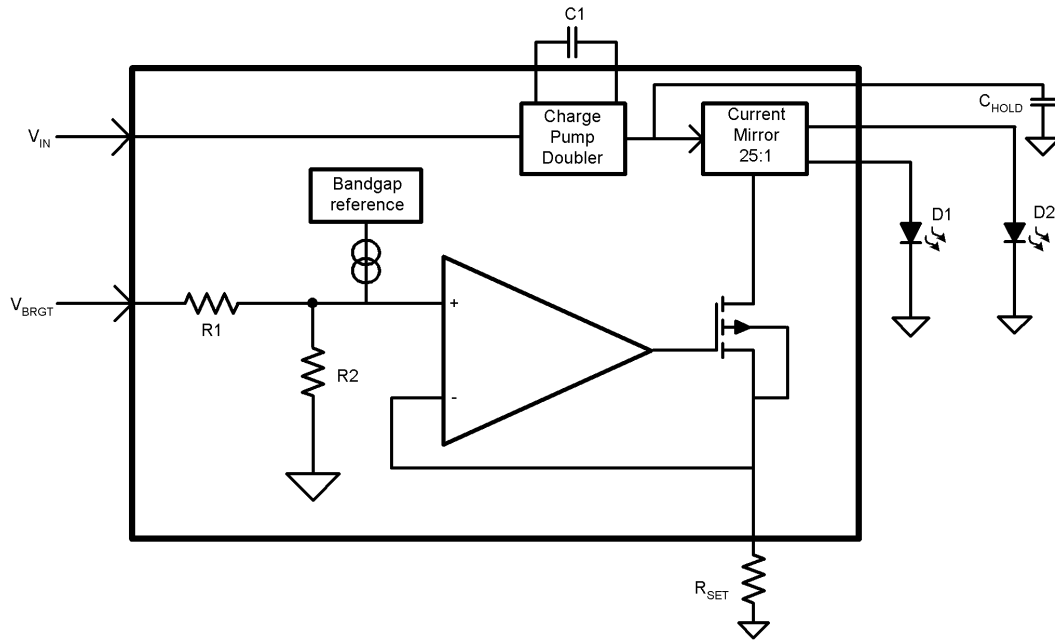
20018316



## Circuit Description

The LM2791 provides two matched current sources for driving high forward voltage drop LEDs from Li-Ion battery sources. The device has on-chip current regulators which are composed of current mirrors with a 25 to 1 ratio. The mirrors control the LED current without using current limiting resistors in the LED current path. The device can drive up to a total of 36mA through the LEDs.

The LED brightness can be controlled by both analog and or digital methods. The digital technique uses a PWM (Pulse Width Modulation) signal applied to the shutdown input. The analog technique applies an analog voltage to the brightness (BRGT) pin (see Application Information sections). For lowest cost, the LM2791 can be used for constant brightness by grounding BRGT and enabling the shutdown pin.



20018304

FIGURE 1.

## Application Information

### SOFT START

LM2791 includes a soft start function to reduce the inrush currents and high peak current during power up of the device. Soft start is implemented internally by ramping the bandgap more slowly than the applied voltage. This is done by holding the bandgap in shutdown for a short time. During soft start, the switch resistances limit the inrush current used to charge the flying and hold capacitors.

### SHUTDOWN MODE

A shutdown pin (SD or /SD) is available to disable the LM2791 and reduce the quiescent current to 1 $\mu$ A maximum. The LM2791 is available with both senses of shutdown polarity.

During normal operation mode of the '-L' options, an active high logic signal to the  $\overline{\text{SD}}$  pin or tying the  $\overline{\text{SD}}$  pin to  $V_{\text{IN}}$ , will enable the device. Pulling  $\overline{\text{SD}}$  low or connecting SD to ground will disable the device.

During normal operation mode of the '-H' options, an active low logic signal to the SD pin or tying the SD pin to GND, will enable the device. Pulling SD high or connecting SD to  $V_{\text{IN}}$  will disable the device.

### CAPACITOR SELECTION

Low equivalent series resistance (ESR) capacitors such as X5R or X7R are recommended to be used for  $C_{\text{IN}}$ , C1, C2, and  $C_{\text{HOLD}}$  for best performance. Ceramic capacitors with less than or equal to 0.3 ohms ESR value are recommended for this application. *Table 1* below lists suggested capacitor suppliers for the typical application circuit.

TABLE 1. Low ESR Capacitor Manufactures

Manufacturer	Contact	website
TDK	(847) 803 6100	www.component.tdk.com
MuRata	(800) 831 9172	www.murata.com
Taiyo Yuden	(800) 348 2496	www.t-yuden.com

### SCHOTTKY DIODE SELECTION

A schottky diode (D1) must be used between  $V_{\text{IN}}$  and  $P_{\text{OUT}}$  for proper operation. During start-up, the low voltage drop across this diode is used to charge  $C_{\text{OUT}}$  and start the oscillator. It is necessary to protect the device from

## Application Information (Continued)

turning-on its own parasitic diode and potentially latching-up. As a result, it is important to select a schottky diode that will carry at least 200mA or higher current to charge the output capacitor during start-up. A schottky diode like 1N5817 can be used for most applications or a surface mount diode such as BAT54-series and MA2J704 used to reduce the circuit size. Table 2 below lists suggested schottky diode manufactures.

**TABLE 2. Diode Manufactures**

Manufacturer	Contact	Schottky Diodes
ON Semiconductor	(800) 344 3860	www.onsemi.com
Phillips Semiconductors	(800) 234 7381	www.philipssemiconductors.com
Panasonic Semiconductor	(408) 945 5622	www.panasonic.com

### LED SELECTION

The LM2791 is designed to drive LEDs with a forward voltage of about 3.0V to 4.0V or higher. The typical and maximum  $V_F$  depends highly on the manufacturer and their technology. Table 3 lists two suggested manufactures and example part numbers. Each supplier makes many LEDs that work well with the LM2791. The LEDs suggested below are in a surface mount package and TOPLED or SIDEVIEW configuration with a maximum forward current of 20mA. These diodes also come in SIDELED or SIDEVIEW configuration and various chromaticity groups. For applications that demand color and brightness matching, care must be taken to select LEDs from the same chromaticity group. Forward current matching is assured over the LED process variations due to the constant current output of the LM2791. For best fit selection for an application, consult the manufacturer for detailed information.

**TABLE 3. White LED Selection:**

Component	Manufacture	Contact
LWT673/LWT67C	Osram	www.osram-os.com
NSCW100/ NSCW215	Nichia	www.nichia.com

### I<sub>SET</sub> PIN

An external resistor,  $R_{SET}$ , sets the mirror current that is required to provide a constant current through the LEDs. The current through  $R_{SET}$  and the LED is set by the internal

current mirror circuitry with a ratio of 25:1. The currents through each LED are matched within 0.3%.  $R_{SET}$  should be chosen not to exceed the maximum current delivery capability of the device. Table 4 shows a list of  $R_{SET}$  values when maximum BRGT = 0V is applied. For other BRGT voltages,  $R_{SET}$  can be calculated using this formula:

$$R_{SET} = (((BRGT * 0.42) + V_{OFFSET})) / (I_{LED}) * 25$$

**TABLE 4. R<sub>SET</sub> Selections ( when BRGT pin = 0V)**

I <sub>LED</sub> per LED	*R <sub>SET</sub>
15mA	330Ω
10mA	500Ω
5mA	1K

\* Use 1% resistor for Rset

### Calculation of LED Current When Grounding BRGT:

$$V_{IN} = 3.6V$$

$$V_{OFFSET} = 200mV(\text{Reference Voltage})$$

$$R_{SET} = 330\Omega$$

$$I_{LED} = (V_{OFFSET} / R_{SET}) * 25$$

$$I_{LED} = (200mV / 330) * 25 = 15mA$$

### BRGT PIN

The BRGT pin can be used to smoothly vary the brightness of the White LEDs. In the LM2791, current on BRGT is connected to an internal resistor divider which gives a factor 0.42 and summed with an offset voltage from the internal bandgap (200mV). This voltage is fed to the operational amplifier that controls the current through the mirror resistor  $R_{SET}$ . The nominal range on BRGT is 0V to 3V. Care must be taken to prevent voltages on BRGT that cause LED current to exceed 36mA. Although this will not cause damage to the IC, it will not meet the guaranteed specifications listed in the Electrical Characteristics.

Table 5 shows the current through each LED for the LM2791 with various BRGT and  $R_{SET}$  values.

### Calculation of LED Current When BRGT Pin > 0:

$$R_{SET} = 2000\Omega$$

$$BRGT = 2.5V$$

$$V_{OFFSET} = 200mV(\text{Reference Voltage})$$

$$I_{LED} = (((BRGT * 0.42) + V_{OFFSET}) / R_{SET}) * 25$$

$$I_{LED} = (((2.5 * 0.42) + 0.20) / 2000) * 25 = 15.6mA$$

**TABLE 5. LED Current When Using BRGT Input (Values Highlighted in Boldface exceeded maximum current range of the device if both LEDs are in use)**

R <sub>SET</sub> (Ω)	1000Ω	1500Ω	2000Ω	2500Ω
BRGT (V)	I <sub>LED</sub> (mA)	I <sub>LED</sub> (mA)	I <sub>LED</sub> (mA)	I <sub>LED</sub> (mA)
0.5	10.25	6.84	5.10	4.1
1.0	15.5	10.3	7.75	6.2
1.5	<b>20.75</b>	13.8	10.37	8.3
2.0	<b>26</b>	17.3	13.00	10.4
2.5	<b>31.25</b>	<b>20.80</b>	15.6	12.5
3.0	<b>36.5</b>	<b>24.3</b>	<b>18.3</b>	14.6

## Application Information (Continued)

### BRIGHTNESS CONTROL USING PWM

Brightness control can be implemented by pulsing a signal at the SD pin. The recommended signal should be between 100Hz to 1kHz. If the operating PWM frequency is much less than 100Hz, flicker may be seen in the LEDs. Likewise, if frequency is much higher, brightness in the LEDs will not be linear. When a PWM signal is used to drive the SD pin of the LM2791, connect BRGT pin to a maximum of GND.  $R_{SET}$  value is selected using the above  $I_{SET}$  equation as if BRGT pin is used. The brightness is controlled by increasing and decreasing the duty cycle of the PWM. Zero duty cycle will turn off the brightness and a 50% duty cycle waveform produces an average current of 7.5mA if  $R_{SET}$  is set to produce a maximum LED current of 15mA. So the LED current varies linearly with the duty cycle.

### PARALLEL Dx OUTPUTS FOR INCREASED CURRENT DRIVE

Outputs D1 and D2 may be connected together to drive a single LED. In such a configuration, two parallel current sources of equal value drive the single LED.  $R_{SET}$  and  $V_{BRGT}$  should be chosen so that the current through each of the outputs is programmed to 50% of the total desired LED current. For example, if 30mA is the desired drive current for the single LED,  $R_{SET}$  and  $V_{BRGT}$  should be selected so that the current through each of the outputs is 15mA. Connecting the outputs in parallel does not affect internal operation of the LM2791 and has no impact on the Electrical Characteristics and limits previously presented. The available Dx output current, maximum Dx voltage, and all other specifications provided in the Electrical Characteristics table apply to this parallel output configuration, just as they do to the standard 2-LED application circuit.

### THERMAL PROTECTION

The LM2791 has internal thermal protection circuitry to disable the charge pump if the junction temperature exceeds 150°C. This feature will protect the device from damage due to excessive power dissipation. The device will recover and operate normally when the junction temperature falls below the maximum operating junction temperature of 100°C. It is important to have good thermal conduction with a proper layout to reduce thermal resistance.

### POWER EFFICIENCY

An ideal power efficiency for a voltage doubler switched capacitor converter is given as the output voltage of the doubler over twice the input voltage as follows:

$$\text{Efficiency} = (V_{DIODE} * I_{DIODE}) / (V_{IN} * I_{DIODE} * \text{Gain}) = V_{DIODE} / 2V_{IN}$$

In the case of the LM2791, a more accurate efficiency calculation can be applied as the given formula below.

$$\text{Efficiency} = ((V_{D1} * I_{D1}) + (V_{D2} * I_{D2})) / (I_{SUPPLY} * V_{IN})$$

It is clear that the efficiency will depend on the supply voltage in the above equation. As such, the lower the supply voltage, the higher the efficiency.

### POWER DISSIPATION

The maximum allowable power dissipation that this package is capable of handling can be determined as follows:

$$P_{DMax} = (T_{JMax} - T_A) / \theta_{JA}$$

where  $T_{JMax}$  is the maximum junction temperature,  $T_A$  is the ambient temperature, and  $\theta_{JA}$  is the junction-to-ambient thermal resistance of the specified package.

The actual power dissipation of the device can be calculated using this equation:

$$P_{Dissipation} = (2V_{IN} - V_{DIODE}) * I_{LOAD}$$

As an example, if  $V_{IN}$  in the target application is 4.2V,  $V_{DIODE} = 3.0V$  and worse case current consumption is 32mA (16mA for each diode).

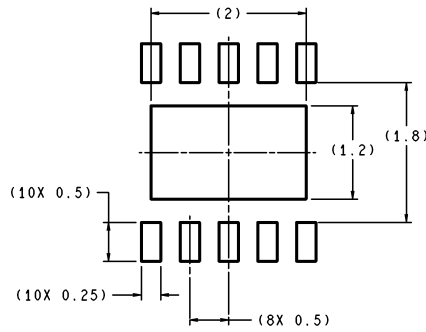
$$P_{Dissipation} = ((2 * 4.2) - 3.0) * 0.032 = 173mW$$

Power dissipation must be less than that allowed by the package. Please refer to the Absolute Maximum Rating of the LM2791.

### PCB LAYOUT CONSIDERATIONS

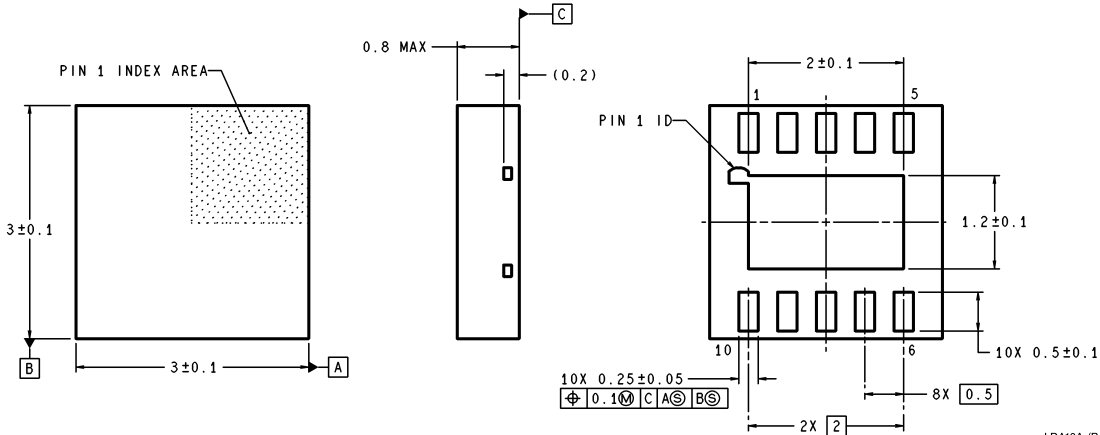
The LLP is a leadframe based Chip Scale Package (CSP) with very good thermal properties. This package has an exposed DAP (die attach pad) at the center of the package measuring 2.0mm x 1.2mm. The main advantage of this exposed DAP is to offer lower thermal resistance when it is soldered to the thermal land on the PCB. For PCB layout, National highly recommends a 1:1 ratio between the package and the PCB thermal land. To further enhance thermal conductivity, the PCB thermal land may include vias to a ground plane. For more detailed instructions on mounting LLP packages, please refer to National Semiconductor Application Note AN-1187.

**Physical Dimensions** inches (millimeters) unless otherwise noted



RECOMMENDED LAND PATTERN  
1:1 RATION WITH PKG SOLDER PADS

DIMENSIONS ARE IN MILLIMETERS




LDA10A (Rev A)

**LLP-10 Pin Package (LDA)**  
For Ordering, Refer to Ordering Information Table  
NS Package Number LDA10A

**LIFE SUPPORT POLICY**

NATIONAL'S PRODUCTS ARE NOT AUTHORIZED FOR USE AS CRITICAL COMPONENTS IN LIFE SUPPORT DEVICES OR SYSTEMS WITHOUT THE EXPRESS WRITTEN APPROVAL OF THE PRESIDENT AND GENERAL COUNSEL OF NATIONAL SEMICONDUCTOR CORPORATION. As used herein:

1. Life support devices or systems are devices or systems which, (a) are intended for surgical implant into the body, or (b) support or sustain life, and whose failure to perform when properly used in accordance with instructions for use provided in the labeling, can be reasonably expected to result in a significant injury to the user.
2. A critical component is any component of a life support device or system whose failure to perform can be reasonably expected to cause the failure of the life support device or system, or to affect its safety or effectiveness.

 **National Semiconductor Corporation**  
Americas  
Email: support@nsc.com

**National Semiconductor Europe**  
Fax: +49 (0) 180-530 85 86  
Email: europe.support@nsc.com  
Deutsch Tel: +49 (0) 69 9508 6208  
English Tel: +44 (0) 870 24 0 2171  
Français Tel: +33 (0) 1 41 91 8790

**National Semiconductor Asia Pacific Customer Response Group**  
Tel: 65-2544466  
Fax: 65-2504466  
Email: ap.support@nsc.com

**National Semiconductor Japan Ltd.**  
Tel: 81-3-5639-7560  
Fax: 81-3-5639-7507

www.national.com

## IMPORTANT NOTICE

Texas Instruments Incorporated and its subsidiaries (TI) reserve the right to make corrections, modifications, enhancements, improvements, and other changes to its products and services at any time and to discontinue any product or service without notice. Customers should obtain the latest relevant information before placing orders and should verify that such information is current and complete. All products are sold subject to TI's terms and conditions of sale supplied at the time of order acknowledgment.

TI warrants performance of its hardware products to the specifications applicable at the time of sale in accordance with TI's standard warranty. Testing and other quality control techniques are used to the extent TI deems necessary to support this warranty. Except where mandated by government requirements, testing of all parameters of each product is not necessarily performed.

TI assumes no liability for applications assistance or customer product design. Customers are responsible for their products and applications using TI components. To minimize the risks associated with customer products and applications, customers should provide adequate design and operating safeguards.

TI does not warrant or represent that any license, either express or implied, is granted under any TI patent right, copyright, mask work right, or other TI intellectual property right relating to any combination, machine, or process in which TI products or services are used. Information published by TI regarding third-party products or services does not constitute a license from TI to use such products or services or a warranty or endorsement thereof. Use of such information may require a license from a third party under the patents or other intellectual property of the third party, or a license from TI under the patents or other intellectual property of TI.

Reproduction of TI information in TI data books or data sheets is permissible only if reproduction is without alteration and is accompanied by all associated warranties, conditions, limitations, and notices. Reproduction of this information with alteration is an unfair and deceptive business practice. TI is not responsible or liable for such altered documentation. Information of third parties may be subject to additional restrictions.

Resale of TI products or services with statements different from or beyond the parameters stated by TI for that product or service voids all express and any implied warranties for the associated TI product or service and is an unfair and deceptive business practice. TI is not responsible or liable for any such statements.

TI products are not authorized for use in safety-critical applications (such as life support) where a failure of the TI product would reasonably be expected to cause severe personal injury or death, unless officers of the parties have executed an agreement specifically governing such use. Buyers represent that they have all necessary expertise in the safety and regulatory ramifications of their applications, and acknowledge and agree that they are solely responsible for all legal, regulatory and safety-related requirements concerning their products and any use of TI products in such safety-critical applications, notwithstanding any applications-related information or support that may be provided by TI. Further, Buyers must fully indemnify TI and its representatives against any damages arising out of the use of TI products in such safety-critical applications.

TI products are neither designed nor intended for use in military/aerospace applications or environments unless the TI products are specifically designated by TI as military-grade or "enhanced plastic." Only products designated by TI as military-grade meet military specifications. Buyers acknowledge and agree that any such use of TI products which TI has not designated as military-grade is solely at the Buyer's risk, and that they are solely responsible for compliance with all legal and regulatory requirements in connection with such use.

TI products are neither designed nor intended for use in automotive applications or environments unless the specific TI products are designated by TI as compliant with ISO/TS 16949 requirements. Buyers acknowledge and agree that, if they use any non-designated products in automotive applications, TI will not be responsible for any failure to meet such requirements.

Following are URLs where you can obtain information on other Texas Instruments products and application solutions:

### Products

Audio	<a href="http://www.ti.com/audio">www.ti.com/audio</a>
Amplifiers	<a href="http://amplifier.ti.com">amplifier.ti.com</a>
Data Converters	<a href="http://dataconverter.ti.com">dataconverter.ti.com</a>
DLP® Products	<a href="http://www.dlp.com">www.dlp.com</a>
DSP	<a href="http://dsp.ti.com">dsp.ti.com</a>
Clocks and Timers	<a href="http://www.ti.com/clocks">www.ti.com/clocks</a>
Interface	<a href="http://interface.ti.com">interface.ti.com</a>
Logic	<a href="http://logic.ti.com">logic.ti.com</a>
Power Mgmt	<a href="http://power.ti.com">power.ti.com</a>
Microcontrollers	<a href="http://microcontroller.ti.com">microcontroller.ti.com</a>
RFID	<a href="http://www.ti-rfid.com">www.ti-rfid.com</a>
OMAP Mobile Processors	<a href="http://www.ti.com/omap">www.ti.com/omap</a>
Wireless Connectivity	<a href="http://www.ti.com/wirelessconnectivity">www.ti.com/wirelessconnectivity</a>

### Applications

Communications and Telecom	<a href="http://www.ti.com/communications">www.ti.com/communications</a>
Computers and Peripherals	<a href="http://www.ti.com/computers">www.ti.com/computers</a>
Consumer Electronics	<a href="http://www.ti.com/consumer-apps">www.ti.com/consumer-apps</a>
Energy and Lighting	<a href="http://www.ti.com/energy">www.ti.com/energy</a>
Industrial	<a href="http://www.ti.com/industrial">www.ti.com/industrial</a>
Medical	<a href="http://www.ti.com/medical">www.ti.com/medical</a>
Security	<a href="http://www.ti.com/security">www.ti.com/security</a>
Space, Avionics and Defense	<a href="http://www.ti.com/space-avionics-defense">www.ti.com/space-avionics-defense</a>
Transportation and Automotive	<a href="http://www.ti.com/automotive">www.ti.com/automotive</a>
Video and Imaging	<a href="http://www.ti.com/video">www.ti.com/video</a>

TI E2E Community Home Page

[e2e.ti.com](http://e2e.ti.com)

Mailing Address: Texas Instruments, Post Office Box 655303, Dallas, Texas 75265  
Copyright © 2011, Texas Instruments Incorporated