



MICROCHIP

93LCS56/66

2K/4K 2.5V CMOS Serial EEPROM with Software Write Protect

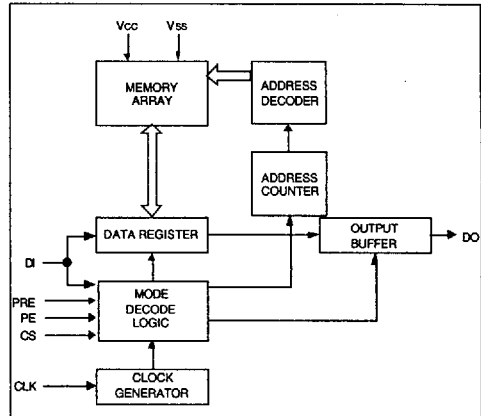
FEATURES

- Single supply with programming operation down to 2.5V
- Low power CMOS technology
 - 1 mA active current typical
 - 5 μ A standby current (typical) at 3.0V
- x16 memory organization
 - 128x16 (93LCS56)
 - 256x16 (93LCS66)
- Software write protection of user defined memory space
- Self timed erase and write cycles
- Automatic ERAL before WRAL
- Power on/off data protection
- Industry standard 3-wire serial I/O
- Device status signal during E/W
- Sequential READ function
- **1,000,000 E/W cycles guaranteed**
- Data retention > 40 years
- 8-pin PDIP/SOIC and 14-pin SOIC packages
- Commercial: 0°C to +70°C
- Industrial: -40°C to +85°C

DESCRIPTION

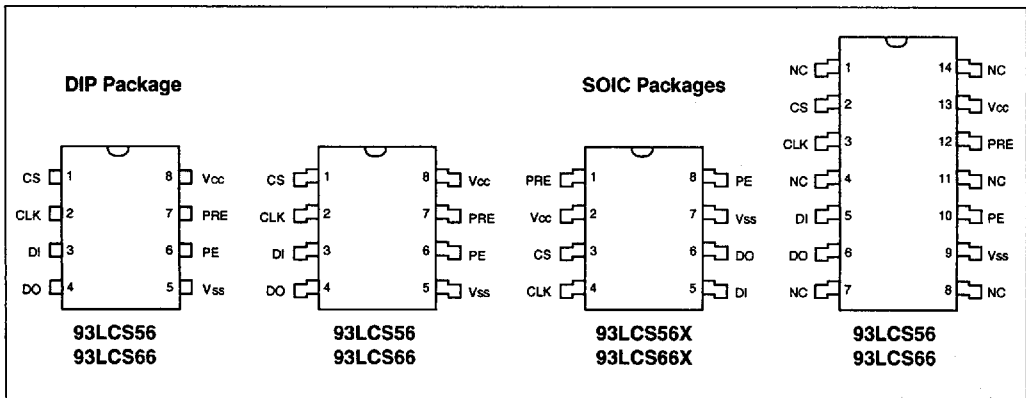
The Microchip Technology Inc. 93LCS56/66 are low voltage Serial Electrically Erasable PROMs with memory capacities of 2K bits/4K bits respectively. A write protect register is included in order to provide a user defined region of write protected memory. All memory locations greater than or equal to the address placed in the write protect register will be protected from any attempted write or erase operation. It is also possible to protect the address in the write protect register permanently by using a one time only instruction (PRDS). Any attempt to alter data in a register whose address is equal to or greater than the address stored in the protect register will be aborted. Advanced CMOS technology makes this device ideal for low power non-volatile memory applications.

BLOCK DIAGRAM



5

PACKAGE TYPE



93LCS56/66

1.0 ELECTRICAL CHARACTERISTICS

1.1 Maximum Ratings*

V_{CC}..... 7.0V
 All inputs and outputs w.r.t. V_{SS} -0.6V to V_{CC} +1.0V
 Storage temperature -65°C to +150°C
 Ambient temp. with power applied -65°C to +125°C
 Soldering temperature of leads (10 seconds) .. +300°C
 ESD protection on all pins 4 kV

*Notice: Stresses above those listed under "Maximum ratings" may cause permanent damage to the device. This is a stress rating only and functional operation of the device at those or any other conditions above those indicated in the operational listings of this specification is not implied. Exposure to maximum rating conditions for extended periods may affect device reliability.

TABLE 1-1: PIN FUNCTION TABLE

| Name | Function |
|-----------------|-------------------------|
| CS | Chip Select |
| CLK | Serial Data Clock |
| DI | Serial Data Input |
| DO | Serial Data Output |
| V _{SS} | Ground |
| PE | Program Enable |
| PRE | Protect Register Enable |
| V _{CC} | Power Supply |

TABLE 1-2: DC AND AC ELECTRICAL CHARACTERISTICS

| V _{CC} = +2.5V to +6.0V Commercial(C): T _{amb} = 0°C to +70°C Industrial (I): T _{amb} = -40°C to +85°C | | | | | |
|---|-----------------------|----------------------|---------------------|------------|--|
| Parameter | Symbol | Min | Max | Units | Conditions |
| High level input voltage | V _{IH1} | 2.0 | V _{CC} +1 | V | V _{CC} ≥ 2.5V |
| | V _{IH2} | 0.7 V _{CC} | V _{CC} +1 | V | V _{CC} < 2.5V |
| Low level input voltage | V _{IL1} | -0.3 | 0.8 | V | V _{CC} ≥ 2.5V |
| | V _{IL} | -0.3 | 0.2 V _{CC} | V | V _{CC} < 2.5V |
| Low level output voltage | V _{OL1} | — | 0.4 | V | I _{OL} = 2.1 mA; V _{CC} = 4.5V |
| | V _{OL2} | — | 0.2 | V | I _{OL} = 100 μA; V _{CC} = 2.5V |
| High level output voltage | V _{OH1} | 2.4 | — | V | I _{OH} = -400μA; V _{CC} = 4.5V |
| | V _{OH2} | V _{CC} -0.2 | — | V | I _{OH} = -100μA; V _{CC} = 2.5V |
| Input leakage current | I _{LI} | -10 | 10 | μA | V _{IN} = 0.1V to V _{CC} |
| Output leakage current | I _{LO} | -10 | 10 | μA | V _{OUT} = 0.1V to V _{CC} |
| Internal capacitance | C _{INT} | — | 7 | pF | V _{IN} /V _{OUT} = 0V (Note 1 & 3) |
| (all inputs/outputs) | | | | | T _{amb} = +25°C; F _{CLK} = 1 MHz |
| Operating current | I _{CC} Write | — | 3 | mA | F _{CLK} = 2 MHz; V _{CC} = 3.0V (Note 3) |
| | I _{CC} Read | — | 1 500 | mA μA | F _{CLK} = 2 MHz; V _{CC} = 6.0V F _{CLK} = 1 MHz; V _{CC} = 3.0V |
| Standby current | I _{CCS} | — | 100 | μA | CLK = CS = 0V; V _{CC} = 6.0V CLK = CS = 0V; V _{CC} = 3.0V |
| | | | 30 | μA | |
| Clock frequency | F _{CLK} | — | 2 1 | MHz MHz | V _{CC} ≥ 4.5V V _{CC} < 4.5V |
| Clock high time | T _{CKH} | 250 | — | ns | |
| Clock low time | T _{CKL} | 250 | — | ns | |
| Chip select setup time | T _{CSS} | 50 | — | ns | Relative to CLK |
| Chip select hold time | T _{CSH} | 0 | — | ns | Relative to CLK |
| Chip select low time | T _{CSL} | 250 | — | ns | |
| PRE setup time | T _{PRES} | 100 | — | ns | Relative to CLK |
| PE setup time | T _{PES} | 100 | — | ns | Relative to CLK |
| PRE hold time | T _{PREH} | 0 | — | ns | Relative to CLK |
| PE hold time | T _{PEH} | 500 | — | ns | Relative to CLK |
| Data input setup time | T _{DIS} | 100 | — | ns | Relative to CLK |
| Data input hold time | T _{DIH} | 100 | — | ns | Relative to CLK |
| Data output delay time | T _{PD} | — | 400 | ns | CL=100 pF |

| VCC = +2.5V to +6.0V Commercial(C): Tamb = 0°C to +70°C Industrial (I): Tamb = -40°C to +85°C | | | | | |
|---|--------|-----|-----|-------|---------------------------|
| Parameter | Symbol | Min | Max | Units | Conditions |
| Data output disable time | Tcz | — | 100 | ns | CL=100 pF (Note 3) |
| Status valid time | Tsv | | 500 | ns | CL=100 pF |
| Program cycle time | TWC | | 10 | ms | ERASE/WRITE mode (Note 2) |
| | TEC | | 15 | ms | ERAL mode |
| | TWL | | 30 | ms | WRAL mode |

Note 1: This parameter is tested at Tamb = 25°C and FCLK = 1 MHz.

Note 2: Typical program cycle time is 4 ms per word.

Note 3: This parameter is periodically sampled and not 100% tested.

TABLE 1-3: INSTRUCTION SET FOR 93LCS56*/66

| 93LCS56/66 (x 16 organization) | | | | | | | | |
|--------------------------------|----|--------|----------|----------|---------------|-----|----|--|
| Instruction | SB | Opcode | Address | Data In | Data Out | PRE | PE | Comments |
| READ | 1 | 10 | A7 - A0* | — | D15-D0 | 0 | X | Reads data stored in memory, starting at specified address. |
| EWEN | 1 | 00 | 11XXXXXX | — | High-Z | 0 | 1 | Erase/Write Enable must precede all programming modes. |
| ERASE | 1 | 11 | A7 - A0* | — | (RDY/ BSY) | | 1 | Erase data at specified address location if address is unprotected. |
| ERAL | 1 | 00 | 10XXXXXX | — | (RDY/ BSY) | 0 | 1 | Erase all registers to "FF". Valid only when Protect Register is cleared. |
| WRITE | 1 | 01 | A7 - A0* | D15 - D0 | (RDY/ BSY) | 0 | 1 | Writes register if address is unprotected. |
| WRAL | 1 | 00 | 01XXXXXX | D15 - D0 | (RDY/ BSY) | 0 | 1 | Writes all registers. Valid only when Protect Register is cleared. |
| EWDS | 1 | 00 | 00XXXXXX | — | High-Z | 0 | X | Erase/Write Disable deactivates all programming instructions. |
| PRREAD | 1 | 10 | XXXXXXXX | — | A7-A0 | 1 | X | Reads address stored in Protect Register. |
| PREN | 1 | 00 | 11XXXXXX | — | High-Z | 1 | 1 | Must immediately precede PRCLEAR, PRWRITE and PRDS instructions. |
| PRCLEAR | 1 | 11 | 11111111 | — | (RDY/ BSY) | 1 | 1 | Clears the Protect Register such that all data are NOT write-protected. |
| PRWRITE | 1 | 01 | A7 - A0* | — | (RDY/ BSY) | 1 | 1 | Programs address into Protect Register. Thereafter, memory addresses greater than or equal to the address in Protect Register are write-protected. |
| PRDS | 1 | 00 | 00000000 | — | (RDY/ BSY) | 1 | 1 | ONE TIME ONLY instruction after which the address in the Protect Register cannot be altered. |

*Address A7 bit is a "don't card" on 93LCS56.

5

2.0 FUNCTIONAL DESCRIPTION

The 93LCS56/66 is organized as 128/256 registers by 16 bits. Instructions, addresses and write data are clocked into the DI pin on the rising edge of the clock (CLK). The DO pin is normally held in a high-Z state except when reading data from the device, or when checking the ready/busy status during a programming operation. The ready/busy status can be verified during an Erase/Write operation by polling the DO pin; DO low indicates that programming is still in progress, while DO high indicates the device is ready. The DO will enter the high-Z state on the falling edge of the CS.

2.1 START Condition

The START bit is detected by the device if CS and DI are both HIGH with respect to the positive edge of CLK for the first time.

Before a START condition is detected, CS, CLK, and DI may change in any combination (except to that of a START condition), without resulting in any device operation (READ, WRITE, ERASE, EWEN, EWDS, ERAL, WRAL, PRREAD, PREN, PRCLEAR, PRWRITE, and PRDS). As soon as CS is HIGH, the device is no longer in the standby mode.

An instruction following a START condition will only be executed if the required amount of opcode, address and data bits for any particular instruction is clocked in.

After execution of an instruction (i.e., clock in or out of the last required address or data bit) CLK and DI become don't care bits until a new start condition is detected.

2.2 DI/DO

It is possible to connect the Data In and Data Out pins together. However, with this configuration it is possible for a "bus conflict" to occur during the "dummy zero" that precedes the READ operation, if A0 is a logic HIGH level. Under such a condition the voltage level seen at Data Out is undefined and will depend upon the relative impedances of Data Out and the signal source driving A0. The higher the current sourcing capability of A0, the higher the voltage at the Data Out pin.

2.3 Data Protection

During power-up, all programming modes of operation are inhibited until Vcc has reached a level greater than 1.4V. During power-down, the source data protection circuitry acts to inhibit all programming modes when Vcc has fallen below 1.4V.

The EWEN and EWDS commands give additional protection against accidentally programming during normal operation.

After power-up, the device is automatically in the EWDS mode. Therefore, an EWEN instruction must be performed before any ERASE or WRITE instruction can be executed.

3.0 READ

The READ instruction outputs the serial data of the addressed memory location on the DO pin. A dummy zero bit precedes the 16 bit output string. The output data bits will toggle on the rising edge of the CLK and are stable after the specified time delay (TPD). Sequential read is possible when CS is held high. The memory data will automatically cycle to the next register and output sequentially.

4.0 ERASE/WRITE ENABLE AND DISABLE

The 93LCS56/66 powers up in the Erase/Write Disable (EWDS) state. All programming modes must be preceded by an Erase/Write Enable (EWEN) instruction. The PE pin MUST be held "high" while loading the EWEN instruction. Once the EWEN instruction is executed, programming remains enabled until an EWDS instruction is executed or Vcc is removed from the device. To protect against accidental data disturb, the EWDS instruction can be used to disable all Erase/Write functions and should follow all programming operations. Execution of a READ instruction is independent of both the EWEN and EWDS instructions.

5.0 ERASE

The ERASE instruction forces all data bits of the specified address to the logical "1" state. CS is brought low following the loading of the last address bit. This falling edge of the CS pin initiates the self-timed programming cycle. The PE pin MUST be latched "high" during loading the ERASE instruction but becomes a "don't care" after loading the instruction.

The DO pin indicates the READY/ $\overline{\text{BUSY}}$ status of the device if CS is brought high after a minimum of 250 ns low (TCSL). DO at logical "0" indicates that programming is still in progress. DO at logical "1" indicates that the register at the specified address has been erased and the device is ready for another instruction. ERASE instruction is valid if specified address is unprotected.

The ERASE cycle takes 4 ms per word typical.

6.0 WRITE

The WRITE instruction is followed by 16 bits of data which are written into the specified address. After the last data bit is put on the DI pin, CS must be brought low before the next rising edge of the CLK clock. This falling edge of CS initiates the self-timed auto-erase and programming cycle. The PE pin MUST be latched "high" while loading the WRITE instruction but becomes a "don't care" thereafter.

The DO pin indicates the READY/BUSY status of the device if CS is brought high after a minimum of 250 ns (TCSL) and before the entire write cycle is complete. DO at logical "0" indicates that programming is still in progress. DO at logical "1" indicates that the register at the specified address has been written with the data specified and the device is ready for another instruction. WRITE instruction is valid only if specified address is unprotected.

The WRITE cycle takes 4 ms per word typical.

7.0 ERASE ALL

The ERAL instruction will erase the entire memory array to the logical "1". The ERAL cycle is identical to the ERASE cycle except for the different opcode. The ERAL cycle is completely self-timed and commences at the falling edge of the CS. PE pin MUST be held "high" while loading the instruction but becomes "don't care" thereafter. Clocking of the CLK pin is not necessary after the device has entered the self clocking mode. The ERAL instruction is guaranteed at VCC = 4.5 to 6V and valid only when Protect Register is cleared.

The DO pin indicates the READY/BUSY status of the device if CS is brought high after a minimum of 250 ns low (TCSL) and before the entire write cycle is complete.

The ERAL cycle takes 15 ms maximum (8 ms typical).

8.0 WRITE ALL

The WRAL instruction will write the entire memory array with the data specified in the command. The WRAL cycle is completely self-timed and commences at the falling edge of the CS. PE pin MUST be held "high" while loading the instruction but becomes "don't care" thereafter. Clocking of the CLK pin is not necessary after the device has entered the self clocking mode. The WRAL command does include an automatic ERAL cycle for the device. Therefore, the WRAL instruction does not require an ERAL instruction but the chip must be in the EWEN status. The WRAL instruction is guaranteed at VCC = 4.5 to 6V and valid only when Protect Register is cleared.

The DO pin indicates the READY/BUSY status of the device if CS is brought high after a minimum of 250 ns low (TCSL).

The WRAL cycle takes 30 ms maximum (16 ms typical).

Note: In order to execute either READ, EWEN, ERAL, WRITE, WRAL, or EWDS instructions, the Protect Register Enable (PRE) pin must be held LOW.

9.0 PROTECT REGISTER READ

The Protect Register Read (PRREAD) instruction outputs the address stored in the Protect Register on the DO pin. The PRE pin MUST be held HIGH when loading the instruction and remains HIGH until CS goes LOW. A dummy zero bit precedes the 8-bit output string. The output data bits in the memory Protect Register will toggle on the rising edge of the CLK as in the READ mode.

10.0 PROTECT REGISTER ENABLE

The Protect Register Enable (PREN) instruction is used to enable the PRCLEAR, PRWRITE, and PRDS modes. Before the PREN mode can be entered, the device must be in the EWEN mode. Both PRE and PE pins MUST be held "high" while loading the instruction. The PREN instruction MUST immediately precede a PRCLEAR, PRWRITE, or PRDS instruction.

11.0 PROTECT REGISTER CLEAR

The Protect Register Clear (PRCLEAR) instruction clears the address stored in the Protect Register and, therefore, enables all registers for programming instructions such as ERASE, ERAL, WRITE, and WRAL. The PRE and PE pin MUST be held HIGH when loading the instruction. Thereafter, PRE and PE pins become "don't care". A PREN instruction must immediately precede a PRCLEAR instruction.

12.0 PROTECT REGISTER WRITE

The Protect Register Write (PRWRITE) instruction writes into the Protect Register the address of the first register to be protected. After this instruction is executed, all registers whose memory addresses are greater than or equal to the address pointer specified in the Protect register are protected from any programming instructions. Note that a PREN instruction must be executed before a PRWRITE instruction and, the Protect Register must be cleared (by a PRCLEAR instruction) before executing the PRWRITE instruction. The PRE and PE pins MUST be held HIGH while loading PRWRITE instruction. After the instruction is loaded, they become "don't care".

13.0 PROTECT REGISTER DISABLE

The Protect Register Disable (PRDS) instruction is a ONE TIME ONLY instruction to permanently set the address specified in the Protect Register. Any attempts to change the address pointer will be aborted. The PRE and PE pins MUST be held HIGH while loading PRDS instruction. After the instruction is loaded, they become "don't care". Note that a PREN instruction must be executed before a PRDS instruction.

14.0 PIN DESCRIPTION

14.1 Chip Select (CS)

A HIGH level selects the device. A LOW level deselects the device and forces it into standby mode. However, a programming cycle which is already initiated and/or in progress will be completed, regardless of the CS input signal. If CS is brought LOW during a program cycle, the device will go into standby mode as soon as the programming cycle is completed.

CS must be LOW for 250 ns minimum (T_{CSL}) between consecutive instructions. If CS is LOW, the internal control logic is held in a RESET status.

14.2 Serial Clock (CLK)

The Serial Clock is used to synchronize the communication between a master device and the 93LCS56/66. Opcode, address, and data bits are clocked in on the positive edge of CLK. Data bits are also clocked out on the positive edge of CLK.

CLK can be stopped anywhere in the transmission sequence (at HIGH or LOW level) and can be continued anytime with respect to clock HIGH time (T_{CKH}) and clock LOW time (T_{CKL}). This gives the controlling master freedom in preparing opcode, address, and data.

CLK is a "Don't Care" if CS is LOW (device deselected). If CS is HIGH, but START condition has not been detected, any number of clock cycles can be received by the device without changing its status (i.e., waiting for START condition).

CLK cycles are not required during the self-timed WRITE (i.e., auto ERASE/WRITE) cycle.

After detection of a start condition the specified number of clock cycles (respectively LOW to HIGH transitions of CLK) must be provided. These clock cycles are required to clock in all required opcode, address, and data bits before an instruction is executed (see instruc-

tion set truth table). CLK and DI then become don't care inputs waiting for a new start condition to be detected.

Note: CS must go LOW between consecutive instructions.

14.3 Data In (DI)

Data In is used to clock in a START bit, opcode, address, and data synchronously with the CLK input.

14.4 Data Out (DO)

Data Out is used in the READ and PREAD mode to output data synchronously with the CLK input (T_{PD} after the positive edge of CLK).

This pin also provides READY/ \overline{BUSY} status information during ERASE and WRITE cycles. READY/ \overline{BUSY} status information is available on the DO pin if CS is brought HIGH after held LOW for minimum chip select low time (T_{CSL}) and an ERASE or WRITE operation has been initiated.

The status signal is not available on DO, if CS is held LOW or HIGH during the entire WRITE or ERASE cycle. In all other cases DO is in the HIGH-Z mode. If status is checked after the WRITE/ERASE cycle, a pull-up resistor on DO is required to read the READY signal.

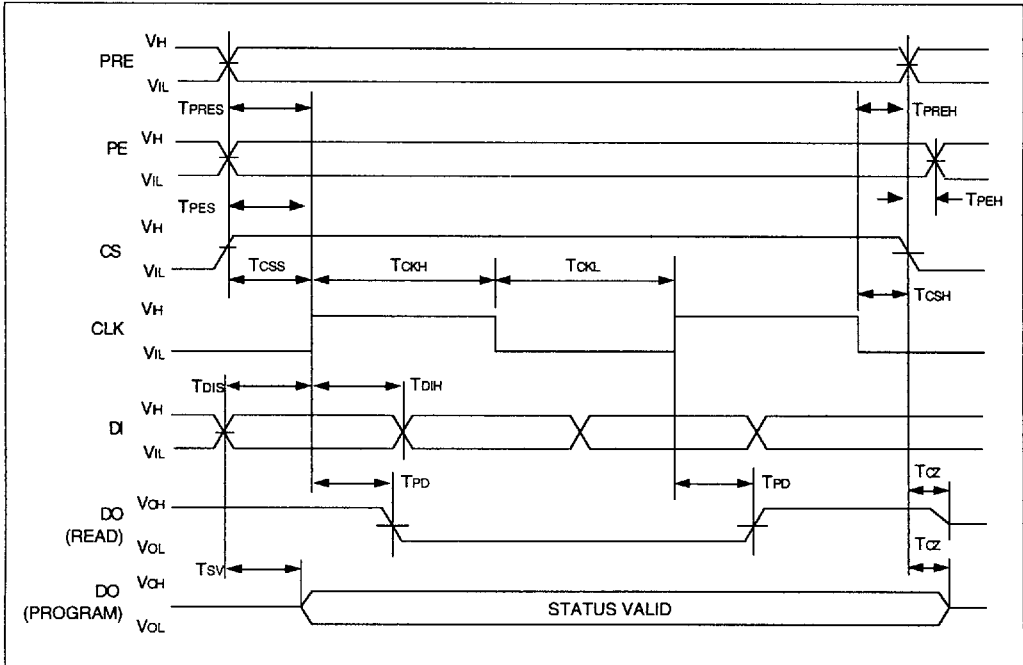
14.5 Program Enable (PE)

This pin should be held HIGH in the programming mode or when executing the Protect Register programming instructions.

14.6 Protect Register Enable (PRE)

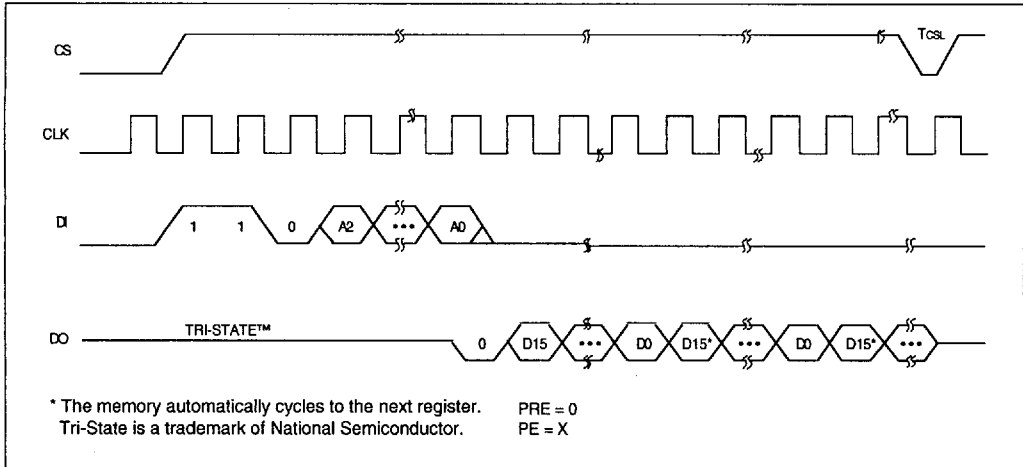
This pin should be held HIGH when executing all Protect Register instructions. Otherwise, it must be held LOW for normal operations.

FIGURE 14-1: SYNCHRONOUS DATA TIMING



5

FIGURE 14-2: READ TIMING



93LCS56/66

FIGURE 14-3: EWENTIMING

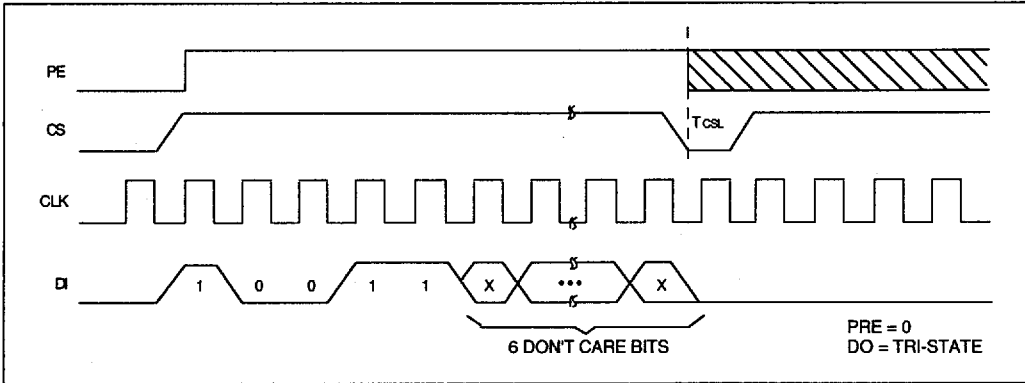


FIGURE 14-4: EWDS TIMING

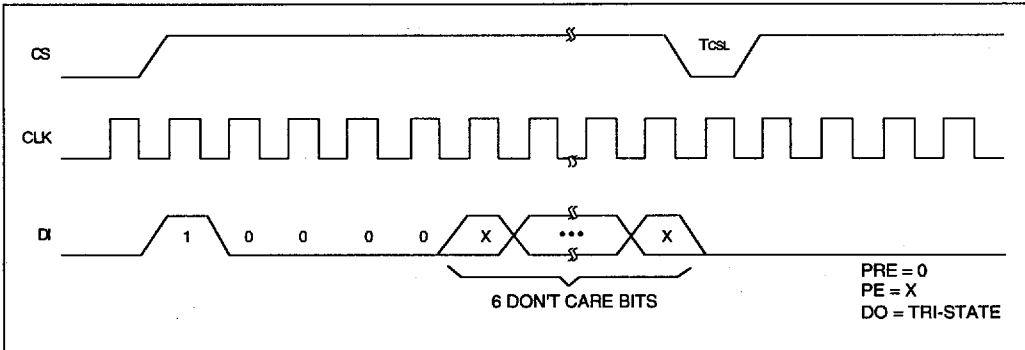


FIGURE 14-5: WRITE TIMING

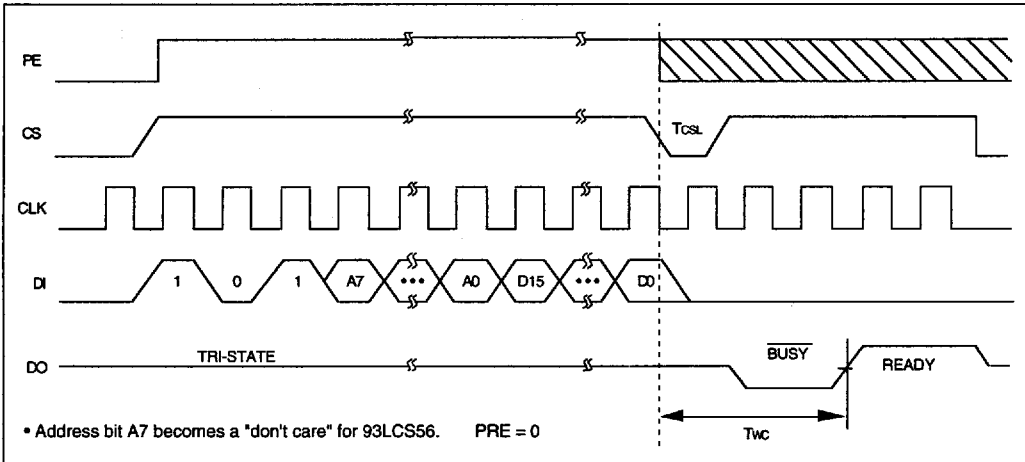


FIGURE 14-6: WRAL TIMING

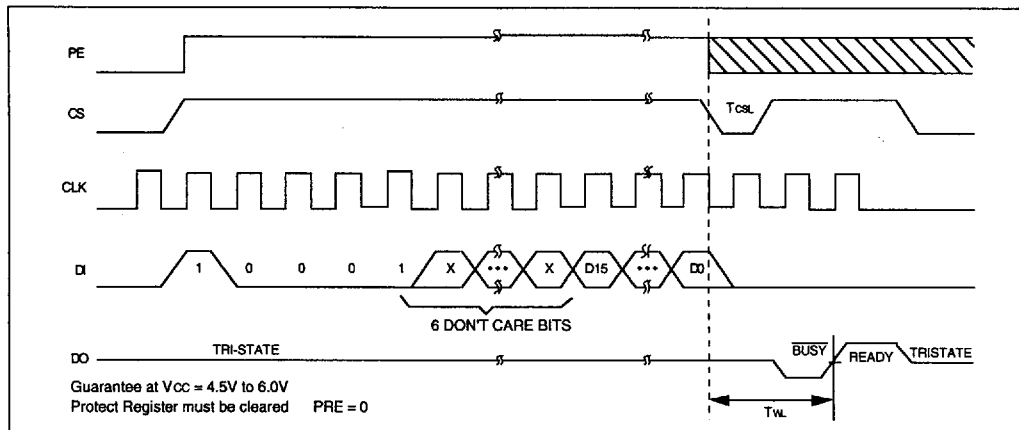
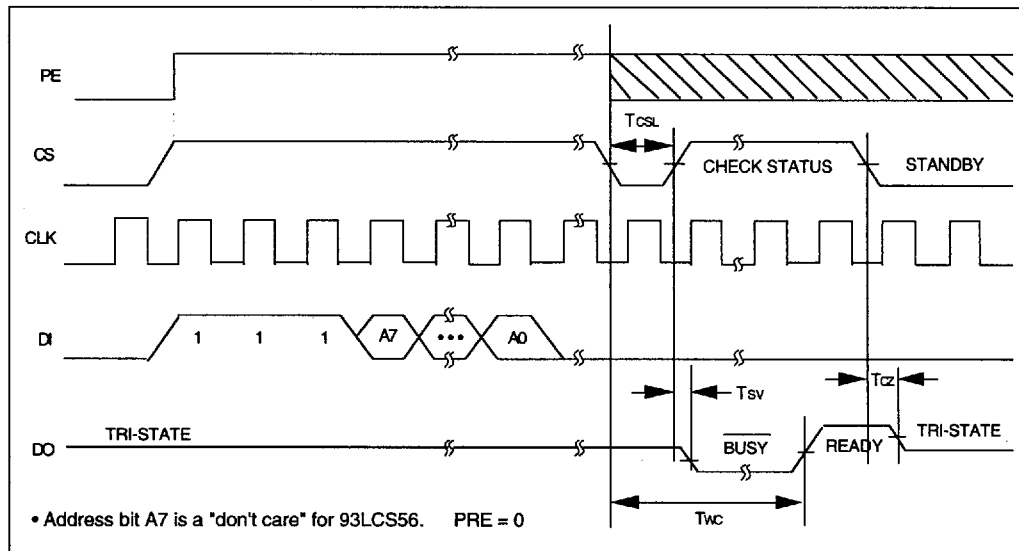


FIGURE 14-7: ERASE TIMING



93LCS56/66

FIGURE 14-8: ERAL TIMING

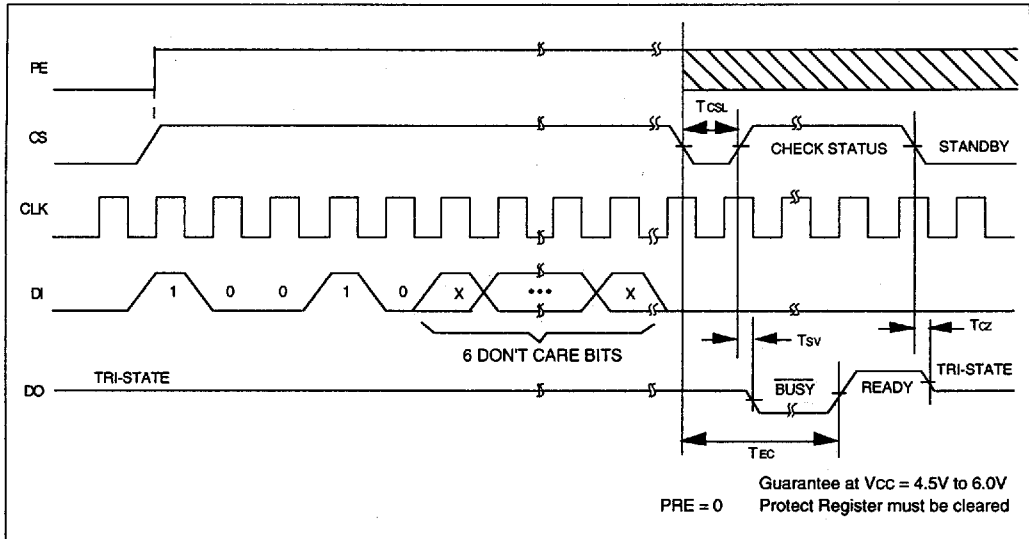


FIGURE 14-9: PPREAD TIMING

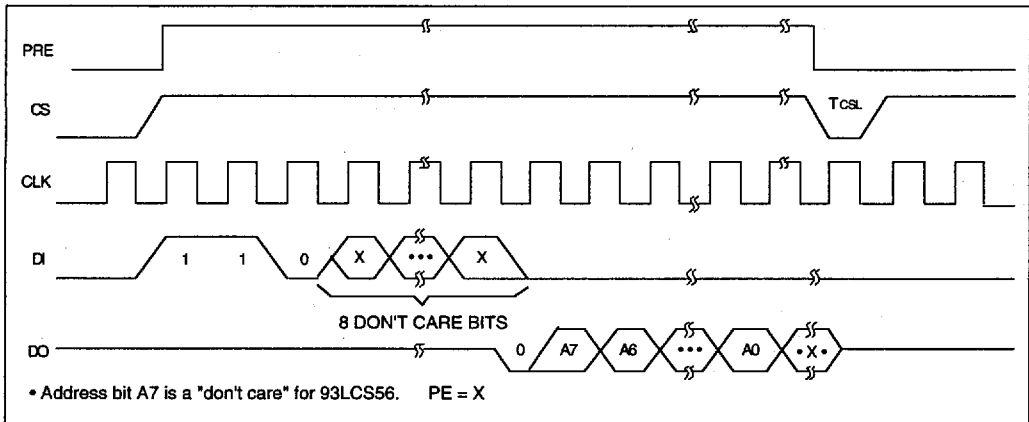


FIGURE 14-10: PREN TIMING

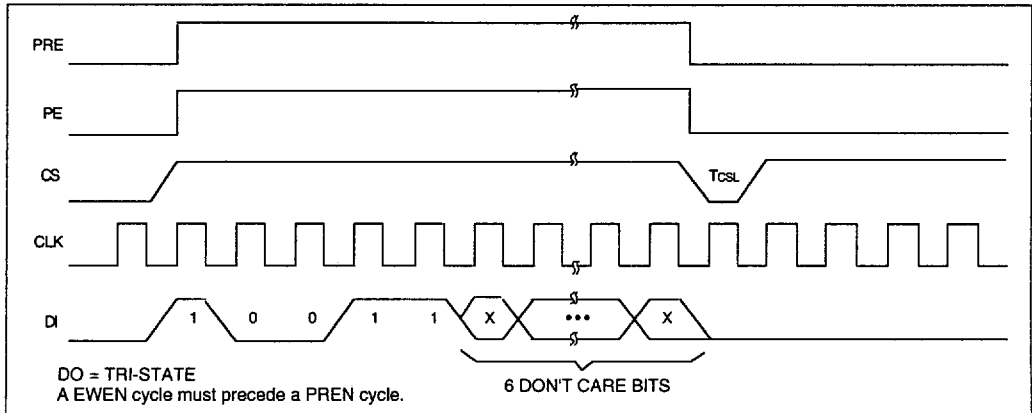


FIGURE 14-11: PRCLEAR TIMING

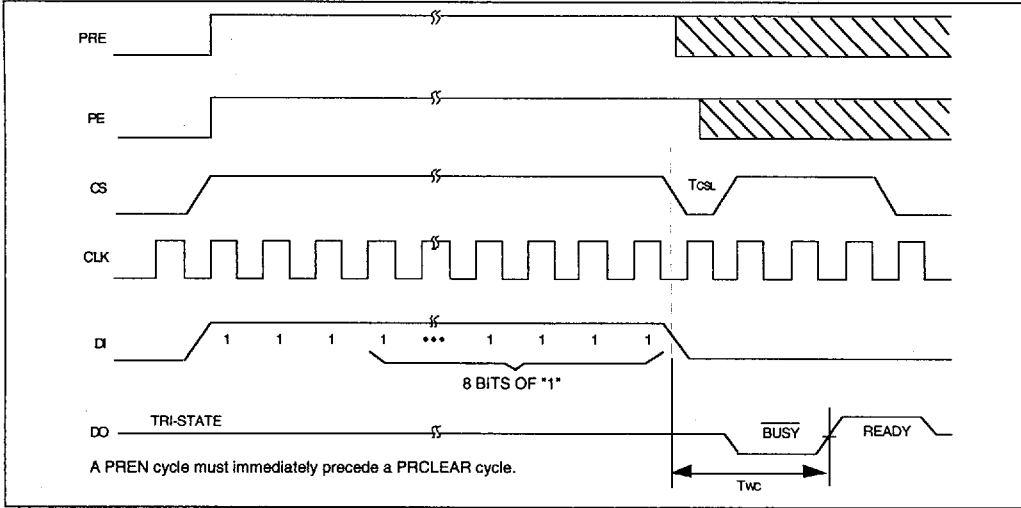
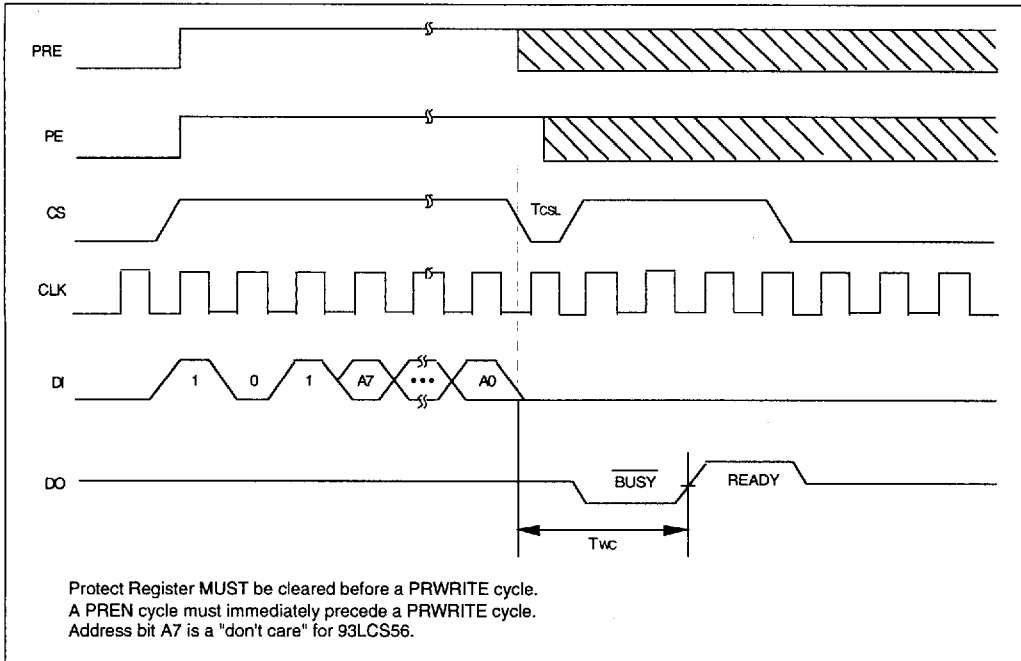
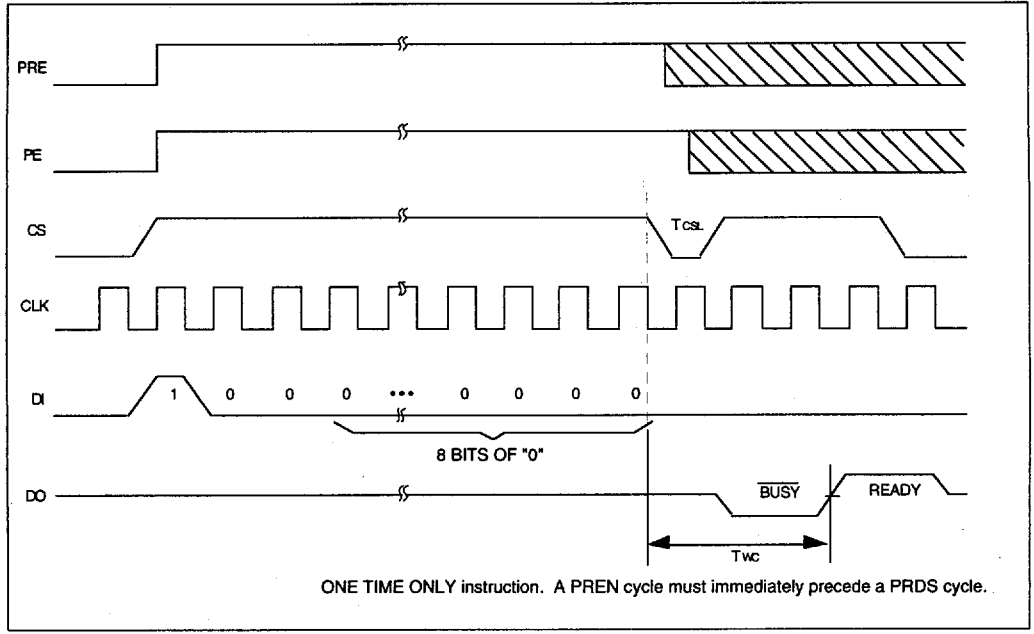


FIGURE 14-12: PRWRITE TIMING



5

FIGURE 14-13: PRDS TIMING



93LCS56/66

93LCS56/66 Product Identification System

To order or to obtain information, e.g., on pricing or delivery, please use the listed part numbers, and refer to the factory or the listed sales offices.

| 93LCS56/66 - /P | | Package: | P = Plastic DIP (300 mil Body), 8-lead SN = Plastic SOIC (150 mil Body), 8-lead SM = Plastic SOIC (207 mil Body), 8-lead SL = Plastic SOIC (150 mil Body), 14-lead | | | | | | | | | | |
|------------------------|---|---------------------------|--|--|----------------------|------------|--------------------|--------------|---|--------------|------------------------------------|----------------|------------------------------------|
| | | Temperature Range: | Blank = 0°C to +70°C I = -40°C to +85°C | | | | | | | | | | |
| | | Device: | <table border="1"><thead><tr><th></th><th>Configuration</th></tr></thead><tbody><tr><td>93LCS56/66</td><td>CMOS Serial EEPROM</td></tr><tr><td>93LCS56X/66X</td><td>CMOS Serial EEPROM in alternate pinouts (SN package only)</td></tr><tr><td>93LCS56T/66T</td><td>CMOS Serial EEPROM (Tape and Reel)</td></tr><tr><td>93LCS56XT/66XT</td><td>CMOS Serial EEPROM (Tape and Reel)</td></tr></tbody></table> | | Configuration | 93LCS56/66 | CMOS Serial EEPROM | 93LCS56X/66X | CMOS Serial EEPROM in alternate pinouts (SN package only) | 93LCS56T/66T | CMOS Serial EEPROM (Tape and Reel) | 93LCS56XT/66XT | CMOS Serial EEPROM (Tape and Reel) |
| | Configuration | | | | | | | | | | | | |
| 93LCS56/66 | CMOS Serial EEPROM | | | | | | | | | | | | |
| 93LCS56X/66X | CMOS Serial EEPROM in alternate pinouts (SN package only) | | | | | | | | | | | | |
| 93LCS56T/66T | CMOS Serial EEPROM (Tape and Reel) | | | | | | | | | | | | |
| 93LCS56XT/66XT | CMOS Serial EEPROM (Tape and Reel) | | | | | | | | | | | | |

Sales and Support

Products supported by a preliminary Data Sheet may possibly have an errata sheet describing minor operational differences and recommended workarounds. To determine if an errata sheet exists for a particular device, please contact one of the following:

1. Your local Microchip sales office
2. The Microchip Corporate Literature Center U.S. FAX: (602) 786-7277
3. The Microchip's Bulletin Board, via your local CompuServe number (CompuServe membership NOT required).

Please specify which device, revision of silicon and Data Sheet (include Literature #) you are using.

For latest version information and upgrade kits for Microchip Development Tools, please call 1-800-755-2345 or 1-602-786-7302.