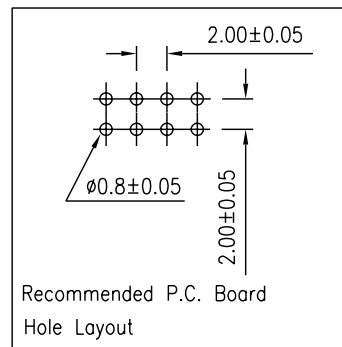
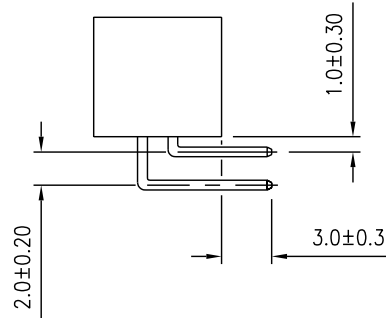
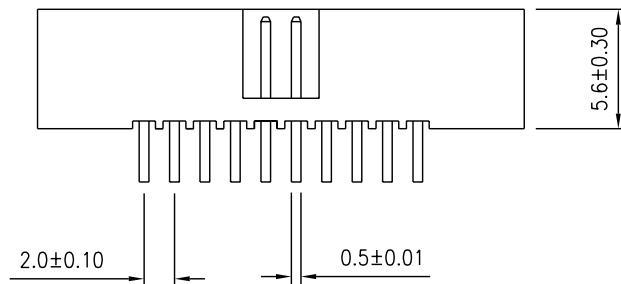
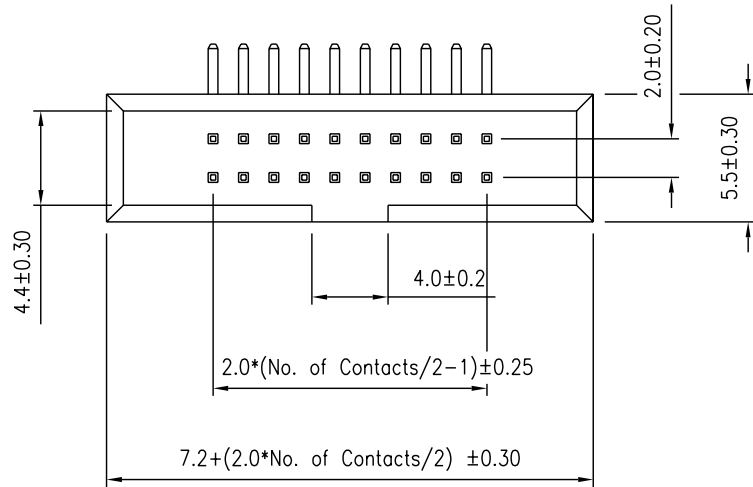


REV	ECN NO.	APP.	DATE
A	NEW DESIGN		



SPECIFICATION

- * Current Rating: 1 A
- * Withstanding Voltage: 500 VAC (1 min.)
- * Insulation Resistance: 1000 Megohms min.
- * Contact Resistance: 30 Milliohms max.
- * Operating Temperature: -40°C to +85°C
- * Retention Force: 1 kg MIN.

ORDER INFORMATION

AC0022	- 02	- XXX	-A1
Series	Style		Plating: All Gold
		No. of pos	
		010	032
		012	034
		014	036
		016	040
		020	044
		022	050
		024	060
		026	068
		030	

MATERIAL

- * Contact: Brass , 0.50mm Square post
- * Insulator: PBT & 30% G.F.
- * Plating: Gold

TECHWIN OPTO-ELECTRONICS CO., LTD.

0.0±	SCALE:	TITLE:	PART NO:
0.00±	UNIT: MM	2.00X2.00MM (.079"*.079")	APP BY:
0.000±		R/A BOX HEADER	CHK BY:
		MATL: PBT + 30% GF	DR BY: 張金枝
		DWG. NO. B002A	