

DO NOT SCALE FROM THIS PRINT

TABLE 1				
LEAD STYLE	TERMINAL	"B"	TUBE (SEE NOTE 9)	PLUG
-01	T-1M6-13-X-2	.230 [5.84]	PT-1-24-01-46	TP-24
-01 (W / PAD OPTION)	T-1M6-13-X-2	.230 [5.84]	PT-1-24-05-29	TP-03
-02	T-1M6-04-X-2	.100 [2.54]	PT-1-24-02-29	TP-24
-02 (W / PAD OPTION)	T-1M6-04-X-2	.100 [2.54]	PT-1-24-05-29	TP-03
-03 (W / PAD OPTION)	T-1M6-04-X-2	.125 [3.18]	PT-1-24-04-15	TP-09
-03 (NO OPTIONS)	T-1M6-04-X-2	.125 [3.18]	PT-1-24-02-29	TP-24
-21	N/A	.230 [5.84]	N/A	N/A
-51	T-1M6-13-X-2	.190 [4.83]	PT-1-24-02-29	TP-24
-52	T-1M6-13-X-2	.205 [5.21]	PT-1-24-13-29	TP-24
-52 (W / PAD OPTION)	T-1M6-13-X-2	.205 [5.21]	PT-1-24-05-29	TP-03
-53	T-1M6-05-X-2	.285 [7.24]	PT-1-24-02-29	TP-24
-54	T-1M6-15-X-2	.335 [8.51]	PT-1-24-13-29	TP-24
-55	T-1M6-16-X-2	.390 [9.91]	PT-1-24-10-29	TP-24
-56	T-1M6-16-X-2	.405 [10.29]	PT-1-24-10-29	TP-24
-57	T-1M6-16-X-2	.430 [10.92]	PT-1-24-03-71	TP-24
-58	N/A	.485 [12.32]	N/A	N/A
-59	N/A	.535 [13.59]	N/A	N/A
-60	N/A	.605 [15.37]	N/A	N/A
-53, -54, -55, -56, -57-60 (W / PAD OPTION)	N/A	NA	PT-1-24-03-71	TP-09

FTR-1XX-XX-XX-S-XX-XX

No OF POSITIONS
-02 THRU -40 AD

LEAD STYLE
SEE TABLE 1

PLATING SPECIFICATION
(VALUES GIVEN ARE IN MICRO-INCHES)
-G: GOLD, 10 Au / 50 Ni MIN ON CONTACT, 3 Au / 50 Ni MIN ON TAIL
-T: MATTE TIN CONTACT AND TAIL
-S: SELECTIVE, 30 Au / 50 Ni MIN ON CONTACT, MATTE TIN TAIL
-F: FLASH SELECTIVE, 3 Au / 50 Ni MIN ON CONTACT, MATTE TIN TAIL (LEAD STYLE SPEC -01 ONLY)
-SM: SELECTIVE, 30 Au / 50 Ni MIN ON CONTACT, MATTE TIN TAIL
-TM: MATTE TIN CONTACT AND TAIL
-FM: FLASH SELECTIVE, 3 Au / 50 Ni MIN ON CONTACT, MATTE TIN TAIL
-L: LIGHT SELECTIVE, 10 Au / 50 Ni MIN ON CONTACT, MATTE TIN TAIL

OPTION

-P: PICK & PLACE PAD (USE PPP-11, SEE FIG 2)
-TR: TAPE & REEL (4 POS MIN)

OPTION

-XX: -POLARIZING SPECIFICATION (XX INDICATES POS. TO BE OMITTED)

ROW SPECIFICATION

-S: SINGLE (USE HTMS-50-S)

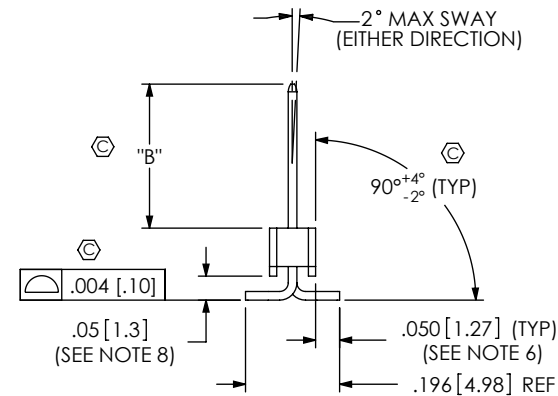
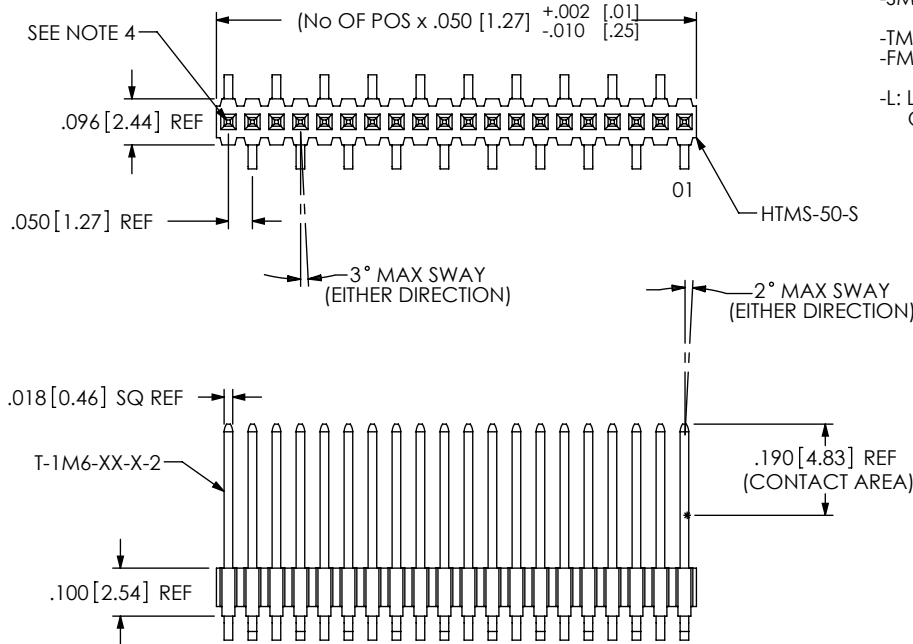
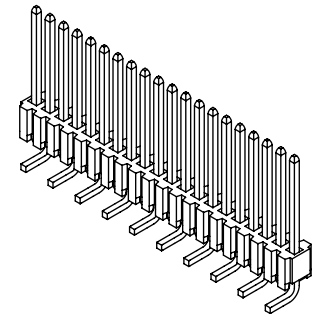


FIG 1
FTR-1XX-XX-X-S SHOWN

NOTES:

- ⊕ REPRESENTS A CRITICAL DIMENSION.
- MAXIMUM CUT FLASH: .010 [.25].
- MINIMUM PUSHOUT FORCE: 2 LB.
- MAXIMUM PIN ROTATION IN BODY: 2°.
- MAXIMUM ALLOWABLE BOW AFTER ASSEMBLY: .005 [1.13] INCH/INCH
- SHEAR TAILS TO DIMENSION SHOWN.
- MAXIMUM BURR ALLOWANCE: .003 [.08]
- MEASURED AT BEND RADIUS.
- TUBE POSITIONS -05 THRU -50 ONLY FOR THIS LEAD STYLE.

* REF FOR OAL PIN LENGTH

TABLE 2	
TERMINAL LENGTH	* "L"
-04	.505 [12.83]
-05	.705 [17.91]
-13	.625 [15.88]
-15	.755 [19.18]
-16	.825 [20.96]

UNLESS OTHERWISE SPECIFIED, DIMENSIONS ARE IN INCHES.
TOLERANCES ARE:
DECIMALS ANGLES
.XX: ±.01 [.3] 2°
.XXX: ±.005 [.13]
.XXXX: ±.0020 [.051]

PROPRIETARY NOTE

THIS DOCUMENT CONTAINS INFORMATION CONFIDENTIAL AND PROPRIETARY TO SAMTEC, INC. AND SHALL NOT BE REPRODUCED OR TRANSFERRED TO OTHER DOCUMENTS OR DISCLOSED TO OTHERS OR USED FOR ANY PURPOSE OTHER THAN THAT WHICH IT WAS OBTAINED WITHOUT THE EXPRESSED WRITTEN CONSENT OF SAMTEC, INC.



520 PARK EAST BLVD, NEW ALBANY, IN 47150
PHONE: 812-944-6733 FAX: 812-948-5047
e-Mail: info@SAMTEC.com code 55322

MATERIAL: DO NOT SCALE DRAWING SHEET SCALE: 2.5:1

INSULATOR: LCP, UL 94 VO
COLOR: BLACK
TERMINAL: PHOS BRONZE

DESCRIPTION:
HI-TEMP TERMINAL MICRO-STRIP (SINGLE ROW)

DWG. NO. FTR-1XX-XX-XX-S-XX-XX

BY: BRATCHER 7-10-95

SHEET 1 OF 2

"N" = USE MEASURED DIMENSION
 "Q" = $\{("N" - .400 [10.16]) / 2\} \pm .020 [.51]$

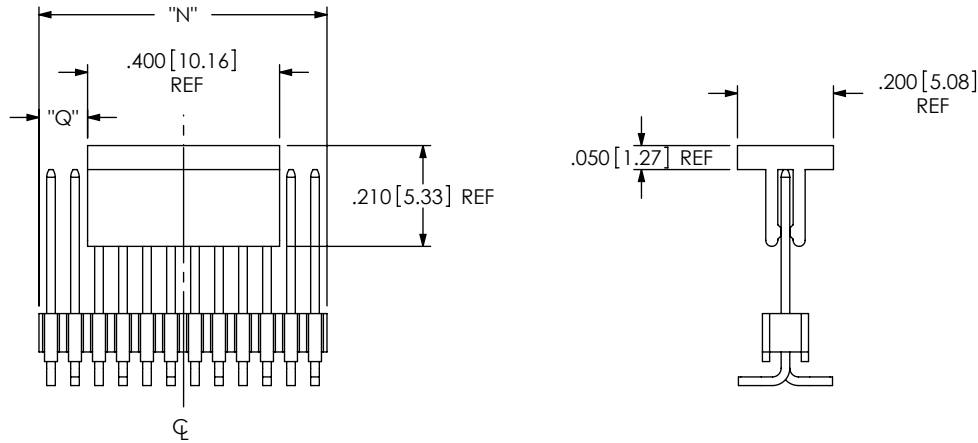


FIG 2

-P: PICK AND PLACE PAD
 AVAILABLE ON 08 - 40 POSITIONS ONLY

AE

PROPRIETARY NOTE

THIS DOCUMENT CONTAINS INFORMATION CONFIDENTIAL AND PROPRIETARY TO SAMTEC, INC. AND SHALL NOT BE REPRODUCED OR TRANSFERRED TO OTHER DOCUMENTS OR DISCLOSED TO OTHERS OR USED FOR ANY PURPOSE OTHER THAN THAT WHICH IT WAS OBTAINED WITHOUT THE EXPRESSED WRITTEN CONSENT OF SAMTEC, INC.

DO NOT SCALE DRAWING

SHEET SCALE: 2.5:1

samtec

520 PARK EAST BLVD, NEW ALBANY, IN 47150
 PHONE: 812-944-6733 FAX: 812-948-5047
 e-Mail info@SAMTEC.com code 55322

DESCRIPTION:
 HI-TEMP TERMINAL MICRO-STRIP (SINGLE ROW)

DWG. NO. FTR-1XX-XX-XX-S-XX-XX

BY: BRATCHER 7-10-99 2010 SHEET 2 OF 2