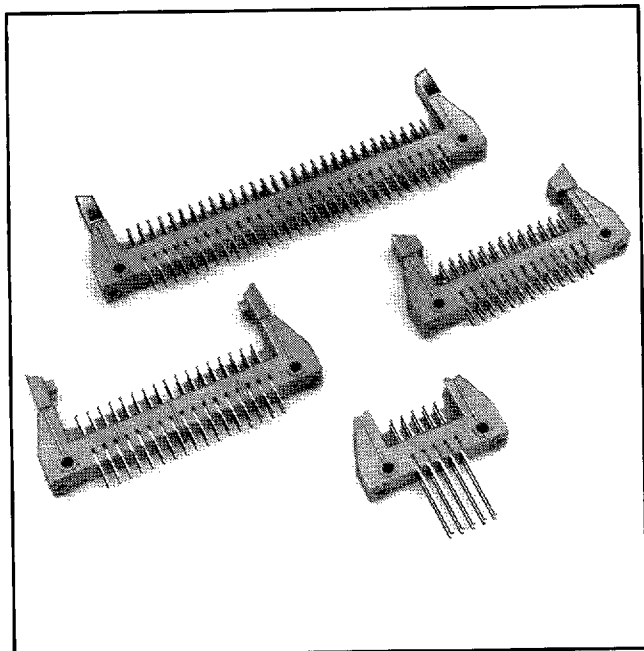


.100" x .100" Latch/Ejector Header

Straight, 3 Wall



- Military (with 3M's 3518 polarizing key) and center bump polarization
- Optional ejector latches
- Mounting holes for securing header to board
- Three wall shrouded to help prevent physical and chemical pin damage
- Solder tail and wrap tail

TS-0157-10
Sheet 1 of 4

Physical

Insulation

Material: Glass Filled Polyester (PBT)
Flammability: UL 94V-0
Color: Gray

Contact

Material: Phosphor Bronze (C510)
Plating
Underplate: 100 μ " [2.54 μ m] Nickel — QQ-N-290, Class 2
Wiping Area: 30 μ " [0.76 μ m] Gold — MIL-G-45204, Type II, Grade C
Solder Tails: 200 μ " [5.08 μ m] 60/40 Tin Lead — MIL-P-81728
Wrap Tails: Gold Flash

Marking: 3M Logo, Part Identification Number and Orientation Triangle

Electrical

Current Rating: 1 A
Insulation Resistance: $>1 \times 10^9 \Omega$ at 500 Vdc
Withstanding Voltage: 1000 Vrms at Sea Level

Environmental

Temperature Rating: -55°C to $+105^\circ\text{C}$

UL File No.: E68080
CSA File No.: LR 40971

3M Electronic Products Division : ■ 9005413 0000201 898 ■

6801 River Place Blvd.
Austin, TX 78726-9000

.100" x .100" Latch/Ejector Header

Straight, 3 Wall

Sheet 2 of 4

PIN QTY	3M PART NUMBER	DIMENSIONS						POLARIZATION NOTCHES PROVIDED	
		A	B	C	D		H		
10	3446-X0XX -X2XX -X3XX -X4XX	1.26	.71	1.105	2.00	[50.8]	.90	[22.9]	C
		[32.0]	[18.0]	[26.07]	2.18	[55.4]	1.08	[27.4]	
					2.10	[55.3]	1.00	[25.4]	
14	3314-X0XX -X2XX -X3XX -X4XX	1.46	.91	1.305	2.20	[55.9]	.90	[22.9]	B C
		[37.1]	[23.1]	[33.15]	2.38	[60.5]	1.08	[27.4]	
					2.30	[58.4]	1.00	[25.4]	
16	3408-X0XX -X2XX -X3XX -X4XX	1.56	1.01	1.405	2.30	[58.4]	.90	[22.9]	A B C
		[39.6]	[25.7]	[35.69]	2.48	[63.0]	1.08	[27.4]	
					2.40	[61.0]	1.00	[25.4]	
20	3428-X0XX -X2XX -X3XX -X4XX	1.76	1.21	1.605	2.50	[63.5]	.90	[22.9]	A B C
		[44.7]	[30.7]	[40.77]	2.68	[68.1]	1.08	[27.4]	
					2.60	[66.0]	1.00	[25.4]	
26	3429-X0XX -X2XX -X3XX -X4XX	2.06	1.51	1.905	2.80	[71.1]	.90	[22.9]	A B C
		[52.3]	[38.4]	[48.39]	2.98	[75.7]	1.08	[27.4]	
					2.90	[73.7]	1.00	[25.4]	
34	3431-X0XX -X2XX -X3XX -X4XX	2.46	1.91	2.305	3.20	[81.3]	.90	[22.9]	A B C
		[62.5]	[48.5]	[58.55]	3.38	[85.9]	1.08	[27.4]	
					3.30	[83.8]	1.00	[25.4]	
40	3432-X0XX -X2XX -X3XX -X4XX	2.76	2.21	2.605	3.50	[88.9]	.90	[22.9]	A B C
		[70.1]	[56.1]	[66.17]	3.68	[93.5]	1.08	[27.4]	
					3.60	[91.4]	1.00	[25.4]	
50	3433-X0XX -X2XX -X3XX -X4XX	3.26	2.71	3.105	4.00	[101.6]	.90	[22.9]	A B C
		[82.8]	[68.8]	[78.84]	4.18	[106.2]	1.08	[27.4]	
					4.10	[104.1]	1.00	[25.4]	
60	3372-X0XX -X2XX -X3XX -X4XX	3.76	3.21	3.605	4.50	[114.3]	.90	[22.9]	A B C
		[95.5]	[81.5]	[91.57]	4.68	[118.9]	1.08	[27.4]	
					4.60	[116.8]	1.00	[25.4]	
64	3764-X0XX -X2XX -X3XX -X4XX	3.96	3.41	3.805	4.70	[119.4]	.90	[22.9]	A B C
		[100.6]	[86.6]	[96.65]	4.88	[124.0]	1.08	[27.4]	
					4.80	[121.9]	1.00	[25.4]	

3M Part No. Suffix	Contact Tail	Dim E	Dim F (See Pin Cross Section)			Dim G	
-2XX2	Solder Tail for .062 [1.57] Thick PC Board	.112 [2.84]	.0245 ± .0005 [0.622]	with	.028 ± .001 [0.71]	Diagonals	.035 ± .003 [0.89] (See Note 3)
-2X03	Solder Tail for .094 to .125 [2.39 to 3.18] Thick PC Board	.155 [3.94]	.0245 ± .0005 [0.622]	with	.028 ± .001 [0.71]	Diagonals	.035 ± .003 [0.89]
-4X05	Wire Wrap Tail for up to 3 Levels of Wire Wrap	.61 [15.4] Ref			.025 ± .002 [0.64]		.045 ± .003 [1.14]

Notes:

- Notches A & C will accommodate 3M Polarizing Keys (3M Part Number 3518 or M3518).
- Accepts rear and front entry: mounting hardware: #4-24 thread cutting screw, 3M Part #3341-5 (.116 [2.95] dia mounting hole). Front Entry (prior to installation of Latch): #2-56 bolt and nut, 3M Part #3341-6 (.106 [2.69] dia mounting hole).
- The recommended PCB hole size for the kinked tail positions on the .112" solder tail connector is .035" ± .002.

Inch
[mm]

Tolerance Unless Noted			
	.0	.00	.000
Inch	± .1	± .01	± .005

[] Dimensions for Reference Only

Ordering Information

XXXX-XXXX

3M Part Number

Pin Configuration and Shrouding:
2 = Straight Solder Tail, 3 Wall
4 = Straight Wrap Tail, 3 Wall

Ejector/Latch System
0 = No Ejector/Latch
2 = Short Ejector/Latch (when non-strain relief socket is used.)
3 = Long Eject/Latch (when socket with strain relief is used.)
4 = Ejector Only

Tail
02 = Solder Tails for .062 [1.57] Thick Board.
K2 = Kinked Solder Tails for .062 [1.57] Thick Board.
03 = Solder Tails for .094 to .125 [2.39 to 3.18] Thick Board.
05 = Wrap Tails for up to 3 Levels of Wire Wrap.

3M Electronic Products Division

6801 River Place Blvd.
Austin, TX 78726-9000

9005413 0000202 724

TS-0157-10

.100" x .100" Latch/Ejector Header

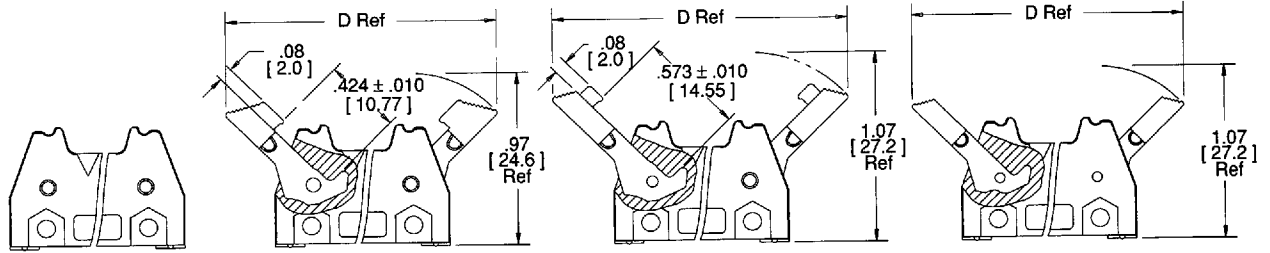
Straight, 3 Wall

-20XX or -4005
Header With
No Ejector/Latch

-22XX or -4205
Header With
Short Ejector/Latch
(3M Part No. 3505-2)
for 3M Sockets Without
Strain Relief

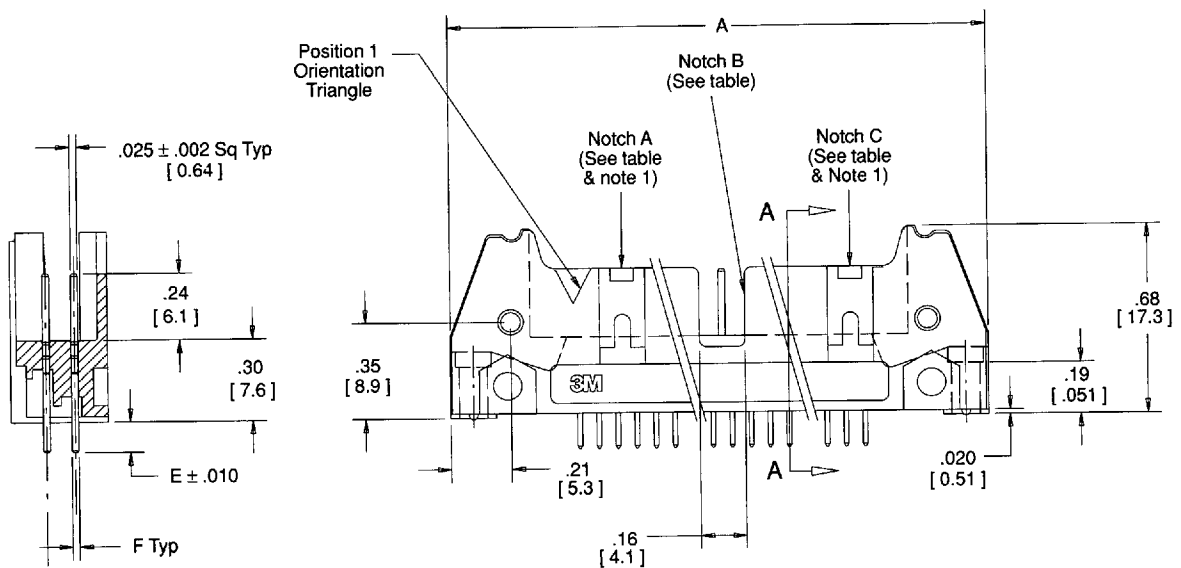
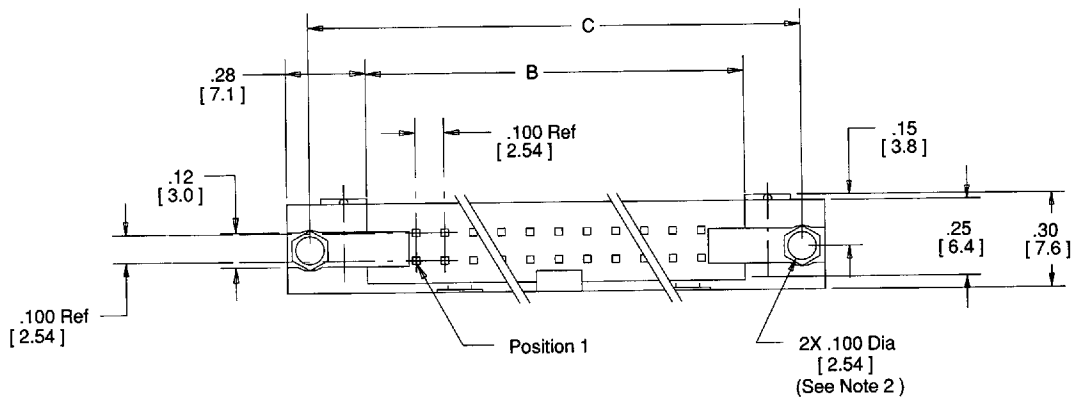
-23XX or -4305
Header With
Long Ejector/Latch
(3M Part No. 3505-3)
for 3M Sockets With
Strain Relief

-24XX or -4405
Header With
Ejector Only
(3M Part No. 3505-4)



Note - This Ejector
is a Nickel Plated
Zinc Alloy Casting.

Sheet 3 of 4



Section A-A

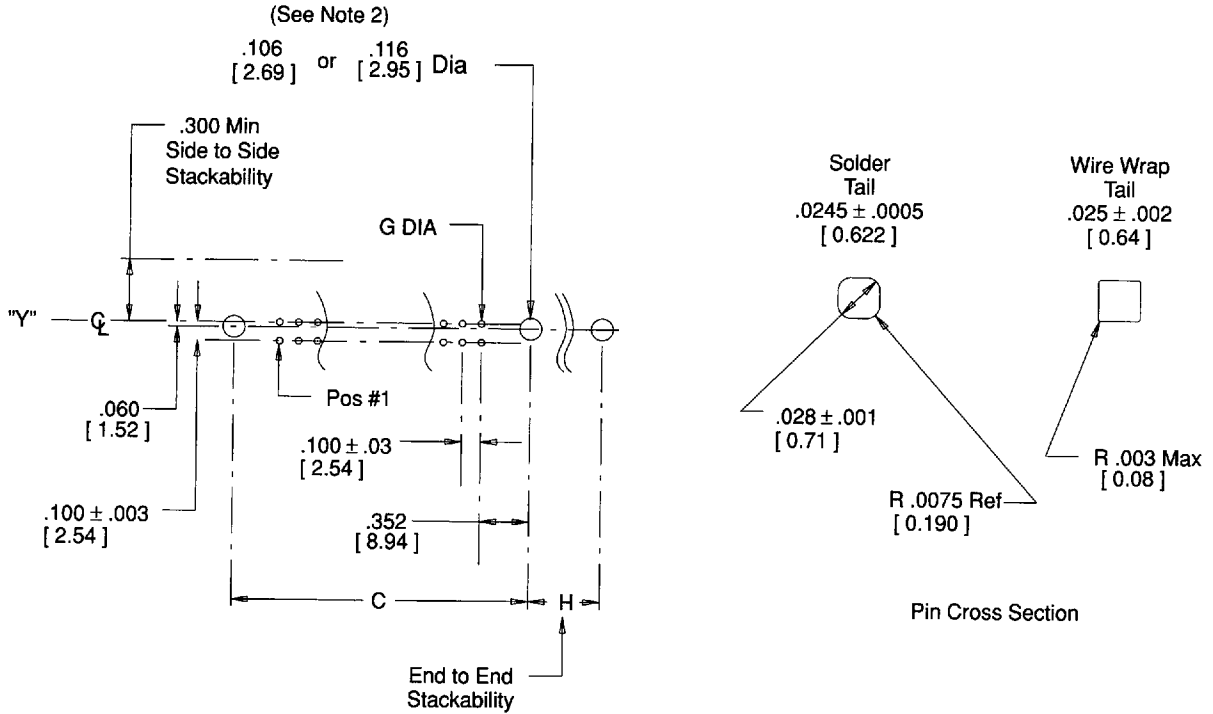
TS-0157-10

.100" x .100" Latch/Ejector Header

Straight, 3 Wall

Sheet 4 of 4

TS-0157-10



Recommended Mounting Hold Pattern