

CM Series Single Pole Power Rocker Switches

Features/Benefits

- Illuminated versions available
- Easy to install snap-in design
- Multiple actuator and termination styles to choose from

Typical Applications

- Computers and peripherals
- Power supplies
- Industrial equipment
- Small appliances
- RoHS compliant



Specifications

CONTACT RATING:

UL/CSA: 16 AMPS @ 125 VAC, 1/8 HP;
10 AMPS @ 250 VAC, 1/3 HP.

ELECTRICAL LIFE: 10,000 make and break cycles at full load.

INSULATION RESISTANCE: $10^8 \Omega$ min.

DIELECTRIC STRENGTH: 1,500 VRMS @ sea level.

OPERATING TEMPERATURE: -20°C to +80°C

Materials

HOUSING AND ACTUATOR: 6/6 nylon (UL94V-2), black, gloss or matte finish.

ILLUMINATED ACTUATOR: Polycarbonate, gloss or matte finish.

CENTER CONTACTS: Silver plated, copper alloy.

END CONTACTS: Silver plated.

ALL TERMINALS: Silver plated, copper alloy.

NOTE: Specifications and materials listed above are for switches with standard options. For information on specific and custom switches, consult Customer Service Center.

Build-A-Switch

To order, simply select desired option from each category and place in the appropriate box. Available options are shown and described on pages H-95 through H-97. For additional options not shown in catalog, consult Customer Service Center.



Switch Function

- CM101** SPDT On-None-On
- CM102** SPST On-None-Off
- CM103** SPDT On-Off-On
- CM107** SPDT On-Off-Mom.
- CM12** * SPST On-None-Off

Actuator

- J1** Rocker
- J3** Illuminated rocker
- J6** Rocker
- J8** Illuminated rocker

Actuator Color

- 2** Black
- 1** White
- 3** Red
- R** Red, illuminated
- A** Amber, illuminated
- G** Green, illuminated

Mounting Style/Color

- S2** Snap-in, black
- S4** Snap-in, black
- S1** Snap-in, white
- S3** Snap-in, white

Termination

- 05** .250" quick connect
- 07** Solder lug

Actuator Marking

- (NONE)** No marking
- D** ON-OFF
- H** "O I" - international ON-OFF
- P** "O -" international ON-OFF

Contact Rating

- QA** Silver

Lamp Rating

- (NONE)** No lamp
- 7** 125 VAC neon
- 8** 250 VAC neon

* CM12 - for switches with both marking and illumination

Rocker



H



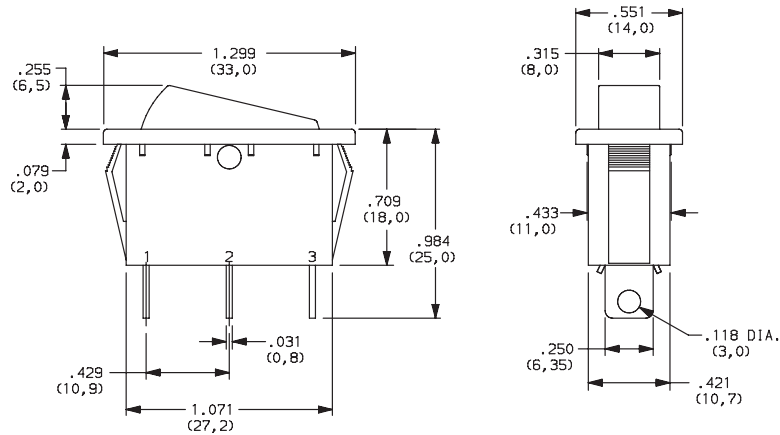
Dimensions are shown: Inch (mm)
Specifications and dimensions subject to change

CM Series Single Pole Power Rocker Switches

SWITCH FUNCTION

NO. POLES	MODEL NO.	SWITCH FUNCTION			CONNECTED TERMINALS			SCHEMATIC		
		Pos. 1	Pos. 2	Pos. 3	Pos. 1	Pos. 2	Pos. 3			
SP	CM101	ON	NONE	ON	2-1	N/A	2-1			
	CM102	ON	NONE	OFF			OPEN			
	CM103	ON	OFF	ON			OPEN	2-3		
	CM107	ON	OFF	MOM.				OPEN	N/A	OPEN
	CM12 *	ON	NONE	OFF						

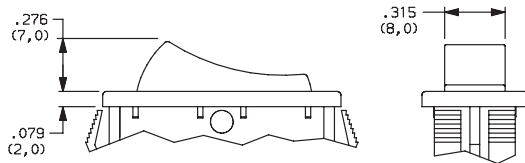
* CM12 - for switches with both marking and illumination



Shown in Pos. 1

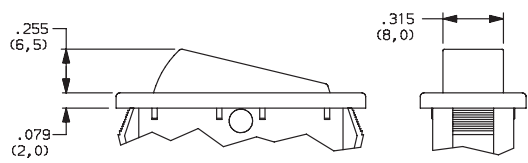
ACTUATOR

- J1** ROCKER
- J3** ILLUMINATED ROCKER

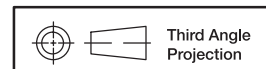


NOTE: J3 actuator available with CM102 & CM12 switch function only.

- J6** ROCKER
- J8** ILLUMINATED ROCKER



NOTE: J8 actuator available with CM102 & CM12 switch function only.



Third Angle Projection

Dimensions are shown: Inch (mm)
Specifications and dimensions subject to change



CM Series Single Pole Power Rocker Switches

ACTUATOR COLOR

OPTION CODE	ACTUATOR COLOR
2	BLACK
1	WHITE
3	RED
R	RED, ILLUMINATED
A	AMBER, ILLUMINATED
G	GREEN, ILLUMINATED

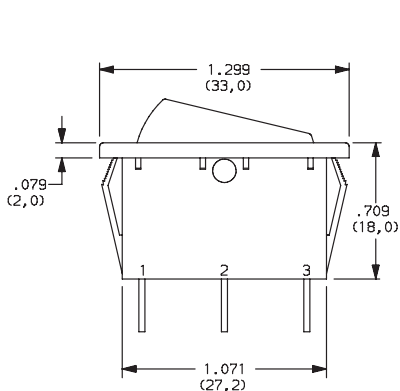
MOUNTING STYLE/COLOR

S2 SNAP-IN, BLACK

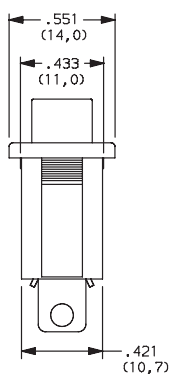
S1 SNAP-IN, WHITE

S4 SNAP-IN, BLACK (SHORT FRAME)

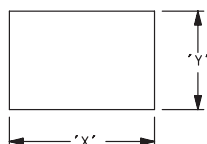
S3 SNAP-IN, WHITE



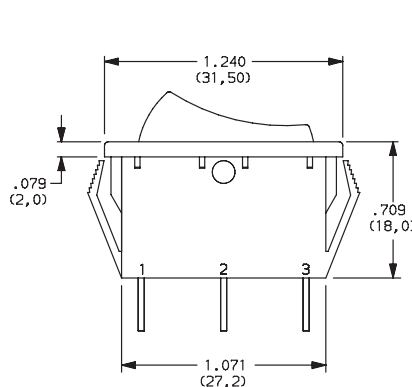
Shown in Pos. 1



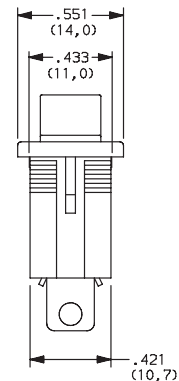
PANEL MOUNTING



PANEL THICKNESS	"X"	"Y"
0.030-0.049 (0,75-1,25)	1.189-.004 (30,2-0,1)	0.441+.004 (11,2+0,1)
0.049-0.079 (1,25-2,0)	1.197-.004 (30,4-0,1)	0.441+.004 (11,2+0,1)
0.079-0.118 (2,0-3,0)	1.212-.004 (30,8-0,1)	0.441+.004 (11,2+0,1)



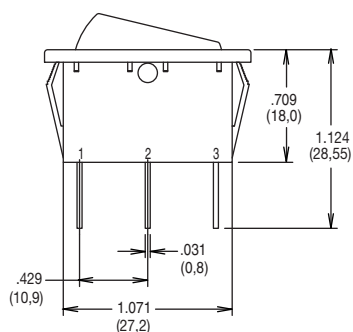
Shown in Pos. 1



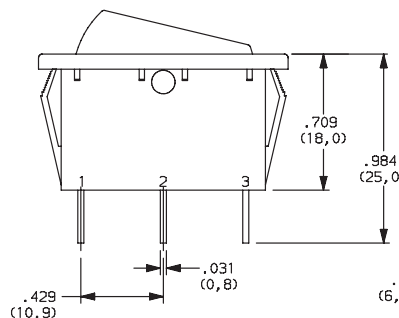
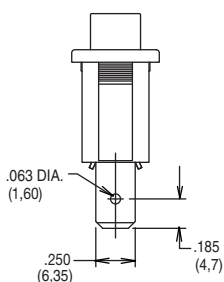
TERMINATION

05 .250 QUICK CONNECT

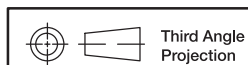
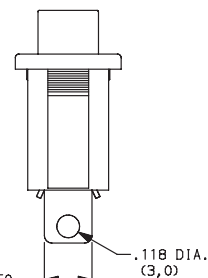
07 SOLDER LUG



Shown in Pos. 1



NOTE: Available with CM101 & CM102 switch functions only.



Dimensions are shown: Inch (mm)
Specifications and dimensions subject to change

www.ck-components.com



CM Series Single Pole Power Rocker Switches

ACTUATOR MARKING



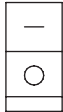
NONE NO MARKING



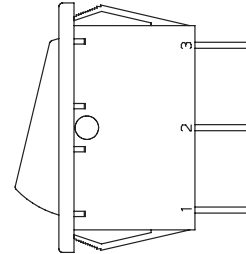
D ON-OFF



H 0 I



P 0 -



NOTE: Orientation of actuator marking and terminals.

Shown in Pos. 1

CONTACT MATERIAL



OPTION CODE	CONTACT AND TERMINAL MATERIAL	RATINGS	
		QA	SILVER

* Note: See Technical Data section of this catalog for RoHS compliant and compatible definitions and specifications.

LAMP RATING



(NONE) NO LAMP

7 125 VAC 33kΩ NEON

8 250 VAC 150kΩ NEON

NOTE: Lamp rating for J3 & J8 actuator option.

