

# SILICON POWER RECTIFIER

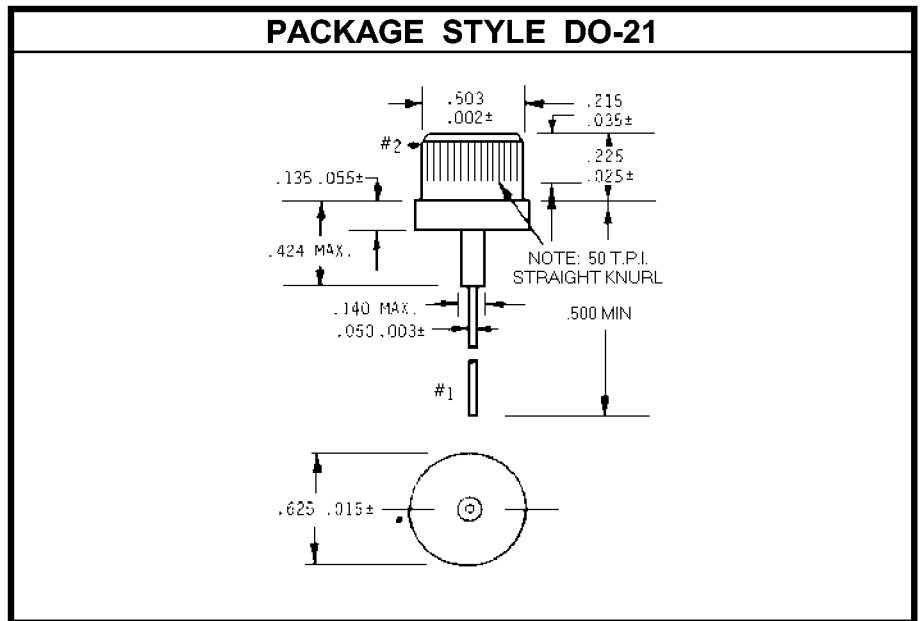
**DESCRIPTION:**

The **1N3495/R** is a Medium Current Rectifier for General Purpose Power Supply Applications.

- **1N3495** = Cathode to Stud
- **1N3495R** = Anode to Stud

**MAXIMUM RATINGS**

<b>I<sub>o</sub></b>	25 A (AVG) @ T <sub>C</sub> = 100 °C
<b>V<sub>RRM</sub></b>	400 V
<b>I<sub>FSM</sub></b>	300 A (1/2 CYCLE 60HZ)
<b>T<sub>J</sub></b>	-65 °C to +175 °C
<b>T<sub>STG</sub></b>	-65 °C to +175 °C
<b>θ<sub>JC</sub></b>	1.20 °C/W


**CHARACTERISTICS** T<sub>C</sub> = 25 °C

SYMBOL	TEST CONDITIONS	MINIMUM	TYPICAL	MAXIMUM	UNITS
<b>I<sub>R</sub></b>	V <sub>R</sub> = 400 V T <sub>C</sub> = 150 °C			1.0 4.0	mA
<b>V<sub>F</sub></b>	I <sub>F</sub> = 57 A			1.7	V