

2.54mm (0.1") Bus Bar Jumper

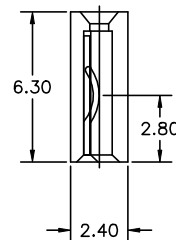
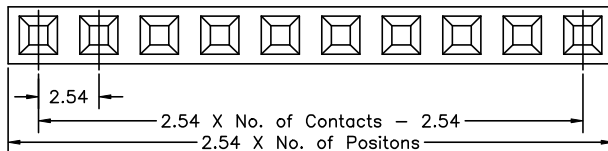
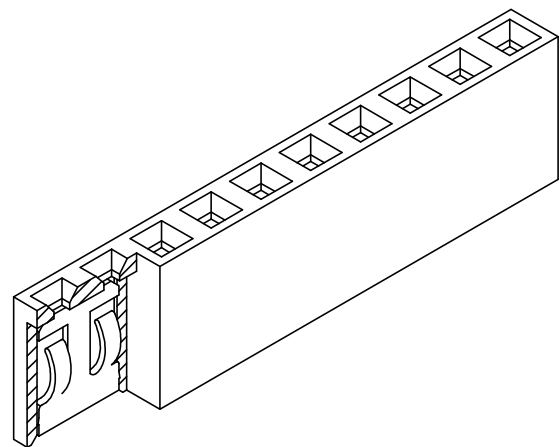
2209 Series

APPLICATION AND FEATURES

1. Mate with any common pairs of 0.64mm square pin and 0.64mm diameter round pin.
2. Test probe hole allows electrical inspection of contact during application.

SPECIFICATIONS

Current Rating: 3 Amps
 Insulator resistance: 5000 Megohms min.
 Dielectric withstanding: AC 500 V
 Operating Temperature: -40° to +105°C
 Contact Material: Phosphor bronze
 Insulator Material: Polyester, UL 94V-0
 ©Standard: P.B.T



Order Information 2209 Series

Example: 2209-10-02

Series No.	Number of Contacts	Contact Plating
2209	02 to 10 Contacts	Tin Plated 01
		Gold Plated
		Flash 02
		10 μ" 10
		30 μ" 30