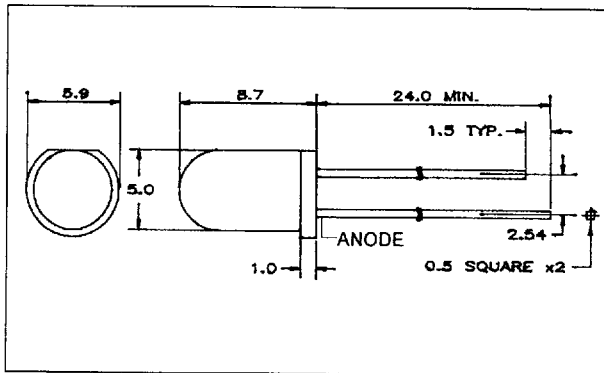


T-1³/₄ Resistor LED Lamps

FEATURES

- Available with a 5-volt or 12-volt configuration
- Self contained current limiting resistor
- Solid state reliability
- Diffused package
- Saves space and labor

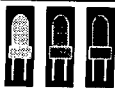


MAXIMUM RATINGS (Ta = 25°C)

PART NO.	FORWARD CURRENT (I _F) (mA)	REVERSE VOLTAGE (V _R) (V)	OPERATING TEMPERATURE (T _{op}) (°C)	STORAGE TEMPERATURE (T _{stg}) (°C)
MT1118-5VRG	30.0	8.0	-25~+85	-25~+100
MT2118-5VG	30.0	8.0	-25~+85	-25~+100
MT3118-5VY	30.0	8.0	-25~+85	-25~+100
MT4118-5VO	30.0	8.0	-25~+85	-25~+100
MT4118-5VHR	30.0	8.0	-25~+85	-25~+100
MT7118-5VUR	30.0	7.0	-25~+85	-25~+100
MT1118-12VRG	30.0	17.0	-25~+85	-25~+100
MT2118-12VG	30.0	17.0	-25~+85	-25~+100
MT3118-12VY	30.0	17.0	-25~+85	-25~+100
MT4118-12VO	30.0	17.0	-25~+85	-25~+100
MT4118-12VHR	30.0	17.0	-25~+85	-25~+100
MT7118-12VUR	30.0	16.0	-25~+85	-25~+100

OPTO-ELECTRICAL CHARACTERISTICS (Ta = 25°C)

PART NO.	MATERIAL	LENS COLOR	VIEWING ANGLE typ.	LUMINOUS INTENSITY (mcd)			FORWARD VOLTAGE (V)		REVERSE CURRENT		PEAK WAVE LENGTH
				min.	typ.	@ V	typ.	max.	µA	V _r	nm
MT1118-5VRG	GaP	Red Diff	40°	4.0	6.7	5	5.0	7.0	100	8	700
MT2118-5VG	GaP	Green Diff	40°	8.1	13.5	5	5.0	7.0	100	8	567
MT3118-5VY	GaAsP/GaP	Yellow Diff	40°	7.1	11.8	5	5.0	7.0	100	8	585
MT4118-5VO	GaAsP/GaP	Orange Diff	40°	9.3	15.5	5	5.0	7.0	100	8	635
MT4118-5VHR	GaAsP/GaP	Red Diff	40°	9.3	15.5	5	5.0	7.0	100	8	635
MT7118-5VUR	GaAlAs	Red Diff	40°	90.0	150.0	12	5.0	7.0	100	7	660
MT1118-12VRG	GaP	Red Diff	40°	4.0	6.7	12	12.0	15.0	100	17	700
MT2118-12VG	GaP	Green Diff	40°	8.1	13.5	12	12.0	15.0	100	17	567
MT3118-12VY	GaAsP/GaP	Yellow Diff	40°	7.1	11.8	12	12.0	15.0	100	17	585
MT4118-12VO	GaAsP/GaP	Orange Diff	40°	9.3	15.5	12	12.0	15.0	100	17	635
MT4118-12VHR	GaAsP/GaP	Red Diff	40°	9.3	15.5	12	12.0	15.0	100	17	635
MT7118-12VUR	GaAlAs	Red Diff	40°	90.0	150.0	12	12.0	15.0	100	16	660



marktech
optoelectronics

5 Hemlock Street • Latham, New York 12110

Toll Free: (800) 98-4LEDS • Fax: (518) 786-6599

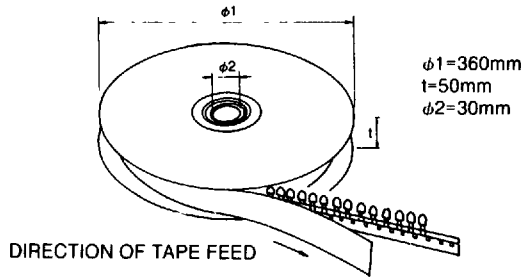
All specifications subject to change.

5799655 0001530 002

APPLICATION NOTES

[4] Packaging Reel Packaging

a) Reel type



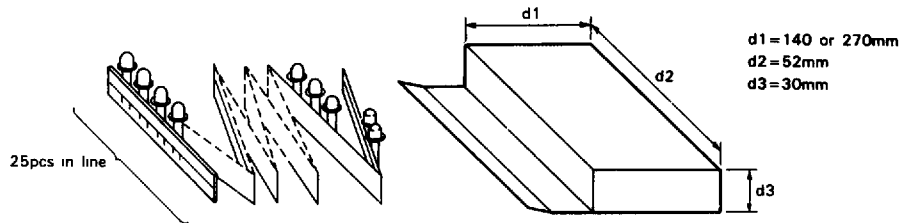
Content

LED Type	Quantity/Reel
$\phi 3$ Series	2000 pcs
$\phi 5$ Series	1000 pcs

T-1 and T- 1 3/4 packages

*Lamps with external shapes other than those above are also available. Please consult Marktech.

b) Zigzag wound tape



At tape beginning and end, there is additional space for 4 pcs or more

Content

LED Type	Quantity/Box
$\phi 3$ Series	2000 or 5000 pcs
$\phi 5$ Series	1000 or 2000 pcs



marktech

5 Hemlock Street • Latham, New York • (518) 786-6591 • FAX (518) 786-6599