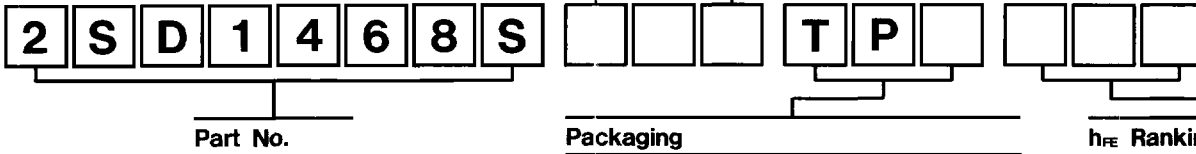


●Product Designation

- When ordering, specify the type.
- Check each code against the tables shown below.
- Fill a space with the next character.

Special code

- Omit for standard product.
- Factory assigned for custom product.



Packaging

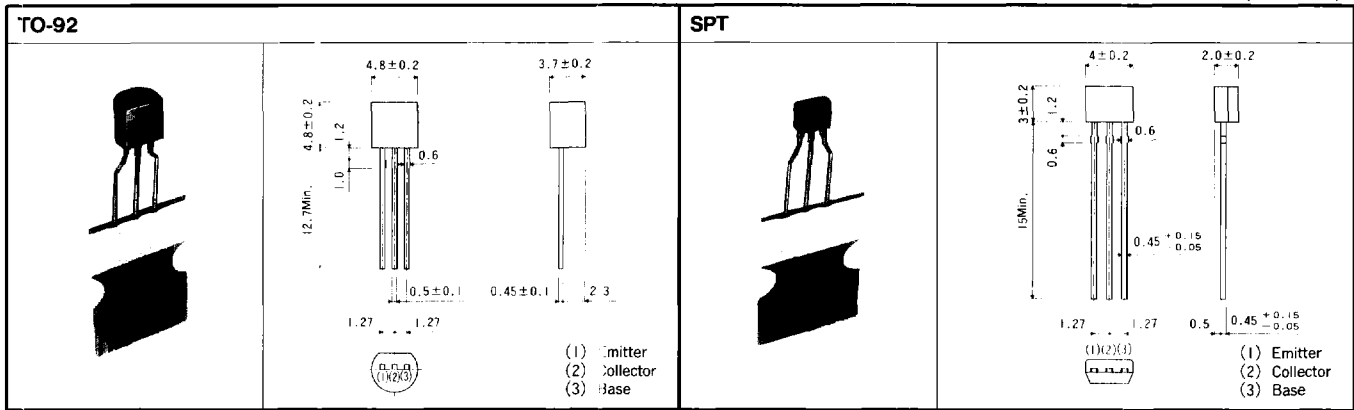
Package	Code	Package specifications	Quantity / Package
TO-92	T93	Ammo box	3,000
	None	Bulk	1,000
SPT	TP	Ammo box	5,000
	None	Bulk	2,000

h_{FE} Ranking code

Input h_{FE} rank signal display
 One rank preferred Q
 Multiple rank preferred Q S
 (Min., Max. is displayed)

Code	h _{FE} Range
L	27~56
M	39~82
N	56~120
P	82~180
Q	120~270
R	180~390
S	270~560
E	390~820
U	560~1200
V	820~1800
W	1200~2700
A	1k~
B	5k~
C	10k~

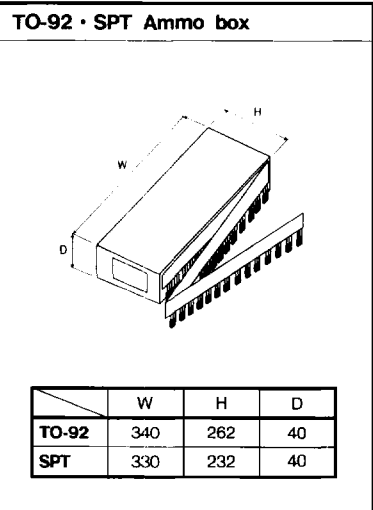
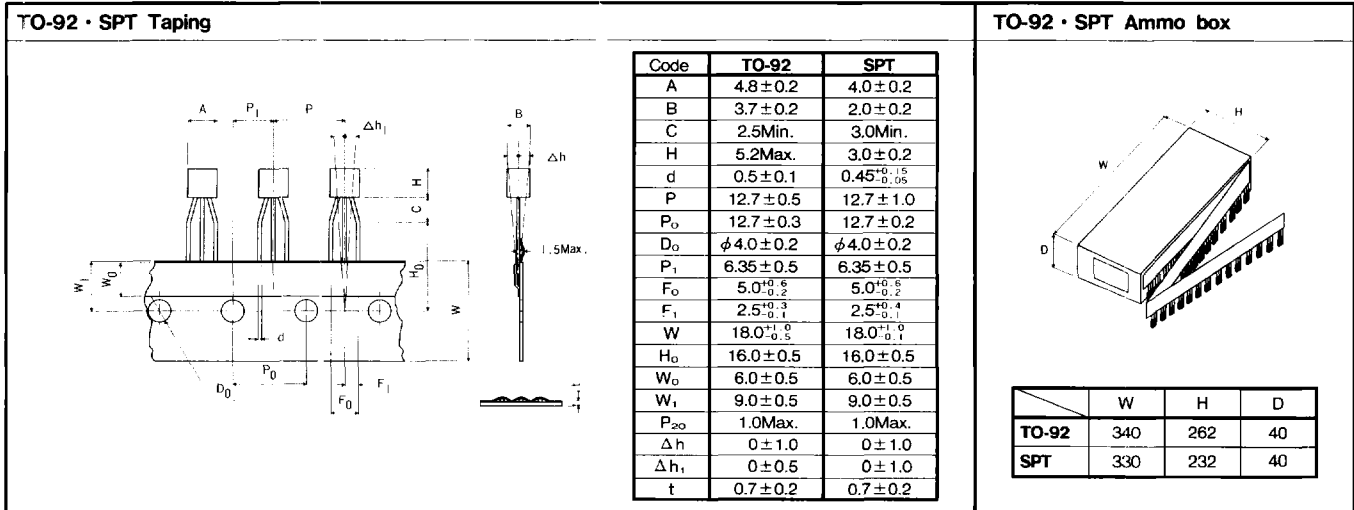
(Unit : mm)



Magazine taping type : lead formed as shown below.

●Packaging Specifications

(Unit : mm)



Transistors
T93 SPT
The Class and basic ordering units for Standard and Semi-standard Products