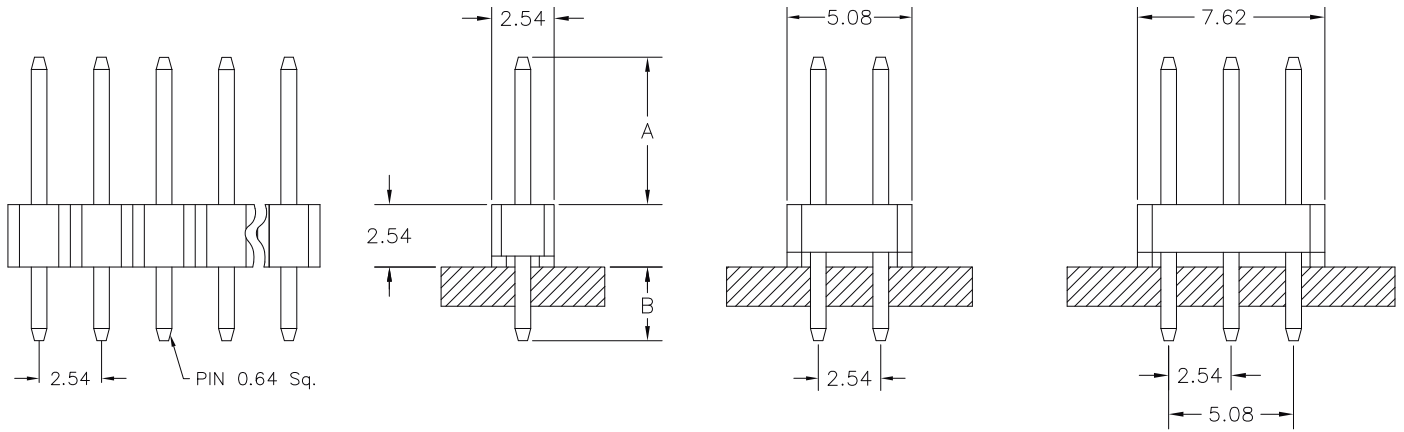
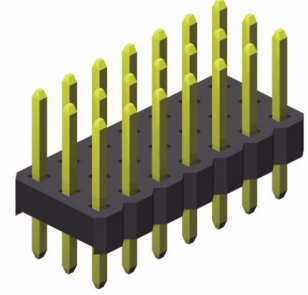
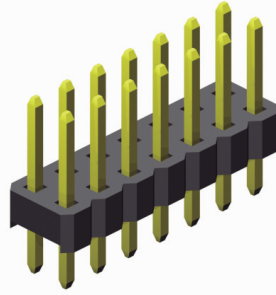
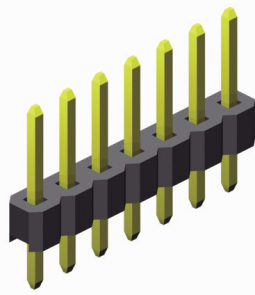


2.54mm pitch Pin Header

- THT - straight



Pin code	DIM "A" mm/inch	DIM "B" mm/inch	Pin code	DIM "A" mm/inch	DIM "B" mm/inch	Pin code	DIM "A" mm/inch	DIM "B" mm/inch
116 / 01	6.00/.236	3.10/.122	105 / 04	6.00/.236	2.00/.079	168 / 01	11.00/.433	3.30/.130
076 / 01	3.40/.124	2.70/.106	108 / 09	6.10/.240	2.16/.085	176 / 02	11.80/.465	3.30/.130
125 / 04	3.30/.123	6.70/.264	147 / 06	6.10/.240	6.10/.240	184 / 10	12.30/.484	3.60/.142
105 / 05	4.20/.165	3.60/.142	147 / 02	7.00/.276	5.11/.201	186 / 01	12.40/.488	3.80/.150
108 / 10	4.30/.169	4.00/.157	125 / 01	7.00/.276	3.00/.118	184 / 02	12.60/.496	3.00/.118
105 / 01	5.00/.197	3.00/.118	125 / 02	7.50/.295	2.54/.100	216 / 07	12.80/.504	6.30/.248
108 / 12	5.00/.197	3.30/.130	135 / 05	8.00/.315	2.80/.110	184 / 01	12.90/.508	3.00/.118
108 / 11	5.50/.216	2.80/.110	140 / 03	8.50/.335	3.00/.118	185 / 04	13.00/.512	3.00/.118
108 / 02	5.70/.224	2.54/.100	140 / 02	9.00/.354	2.54/.100	204 / 01	14.90/.586	3.00/.118
139 / 01	5.70/.224	5.70/.224	155 / 01	9.80/.386	3.15/.124	228 / 01	17.30/.681	3.00/.118
108 / 01	5.80/.228	2.50/.098	184 / 03	10.50/.413	5.11/.201	261 / 01	17.80/.700	5.80/.228
113 / 02	5.80/.228	3.00/.118	155 / 06	10.80/.425	2.20/.087	240 / 02	18.50/.728	3.00/.118
100 / 01	6.00/.236	1.50/.059	159 / 06	10.80/.425	2.54/.100	245 / 01	19.00/.748	3.00/.118

Standard dimension & pin code

Many other dimensions available on request

SPECIFICATIONS

Current rating	3 A	Operating temperature	- 40°C to +105°C
Insulator resistance	1000 MΩ min.	Insulator material (RoHS compliant)	P.B.T. or Nylon UL 94 V-0
Withstanding voltage	500 V AC	Contact material (RoHS compliant)	Standard : P.B.T. Brass
Breakdown voltage	1800 VRMS min.		

How to order

SL x - xxx - S xxx/xx - 55

Rows	Nbr of pins	Insulator	Pin code	Plating
1 = single row 2 = dual row 3 = triple row	single row = 002 to 040 dual row = 004 to 080 triple row = 009 to 120	S = P.B.T. SH = Nylon	See above table	55 = gold (standard) 99 = tin (leadfree) 95 = tin/gold (tin leadfree) Other platings on request