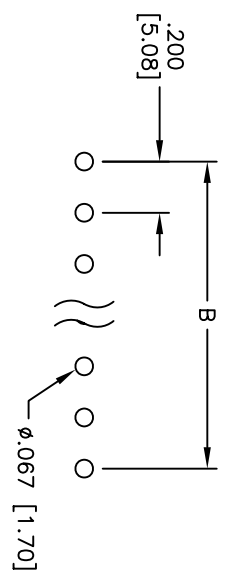
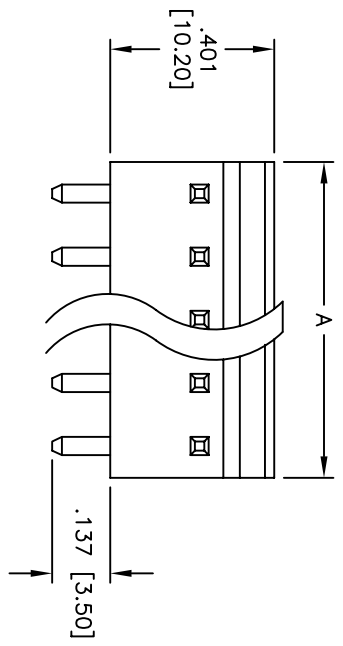
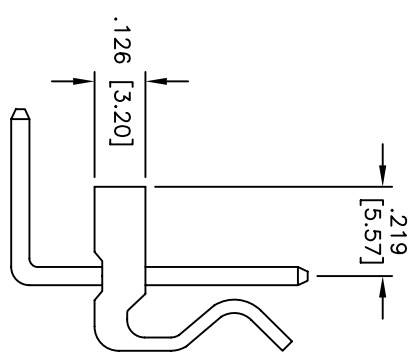
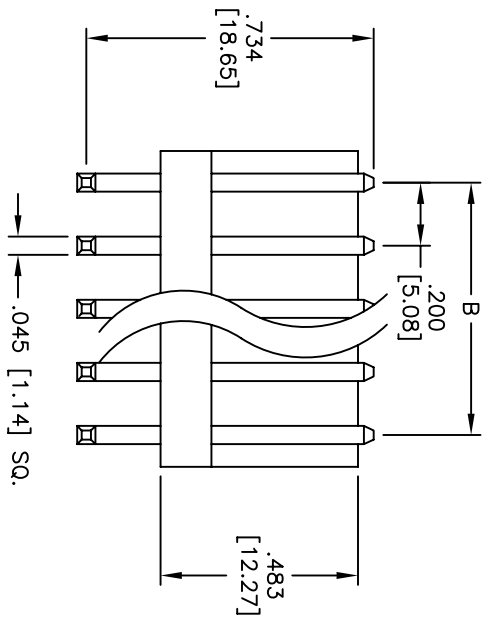


Rev	AWO #	Description	Date	Appr
-		RELEASED	7/6/06	

APPROVED: \_\_\_\_\_  
 DATE: \_\_\_\_\_ TITLE: \_\_\_\_\_



PCB LAYOUT



Positions: 2 thru 20  
 A = .200 [5.08] x No. of Positions + .190 [4.83]  
 B = .200 [5.08] x No. of Spaces

**SPECIFICATIONS:**

- Material: Insulator: Nylon 66, rated UL 94V-0
- Insulator color: White
- Contacts: Brass
- Plating: Tin over Copper underplate overall
- Electrical: Operating voltage: 250 VAC max  
 Current rating: 3 Amps max  
 Contact resistance: 10 mohms max  
 Insulation resistance: 1,000 Mohms min  
 Dielectric withstanding voltage: 1,500 VAC for 1 minute
- Temperature Rating: Operating temperature: -25°C to +90°C
- Temperature Rating: Anti-static plastic bags
- Environmental: Lead free, RoHS compliant
- Recommended soldering temp: 235°C for 5 seconds



UNLESS OTHERWISE SPECIFIED ALL DIMENSIONS ARE INCHES [MM]	
TOLERANCES: EXCEPT AS NOTED	
INCHES	HOLE
.X ± .10	ØXX ± .10
.XX ± .020	ØXXX ± .015
.XXX ± .015	ØXXXX ± .010
APPROVALS	DATE
DRAWN	SS
CHECKED	
APPROVED	

**ADAM TECH**  
 909 Railway Avenue, Union, NJ 07083  
 Phone: 908-687-5000 Fax: 908-687-5710

TITLE: .200 [5.08] POWER HEADER, RIGHT  
 ANGLE, WITH BACK

SIZE: X  
 PART NO.: LHF-XX-SB1  
 SCALE: NTS  
 SHEET 1 OF 1