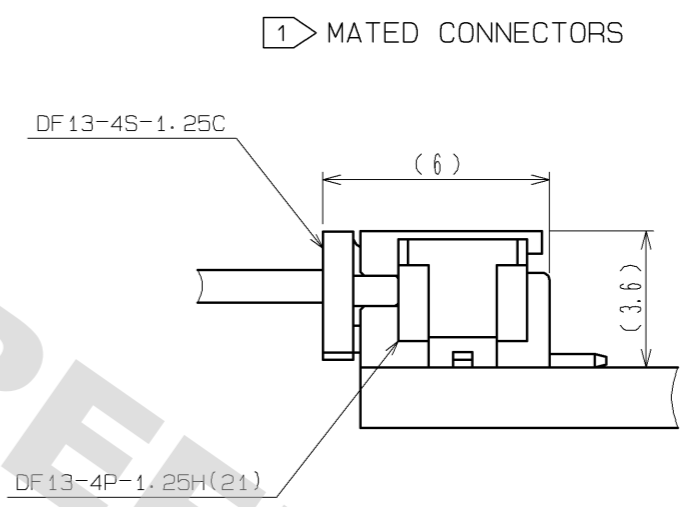
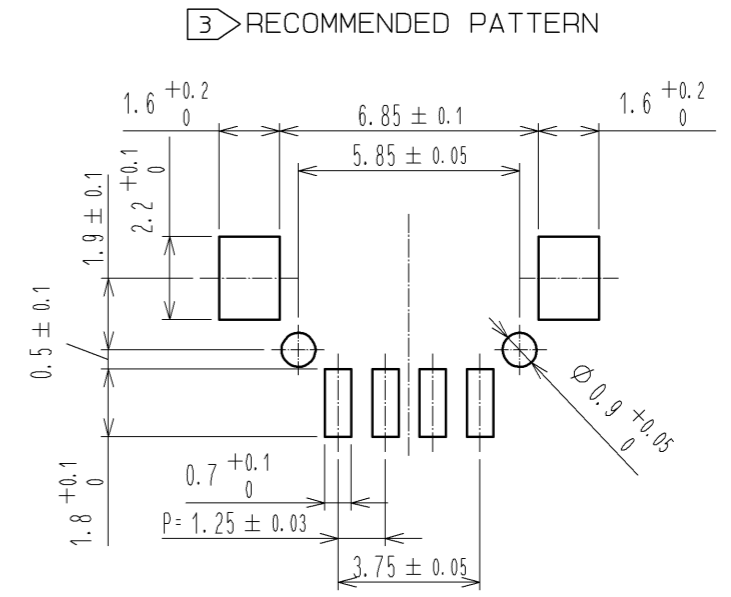
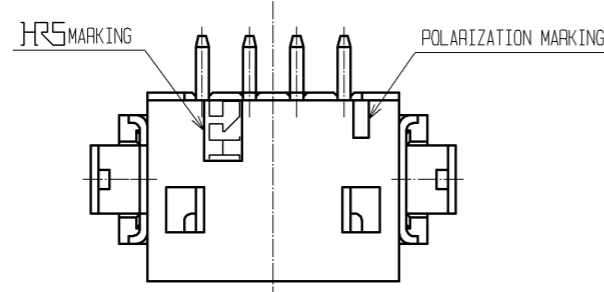
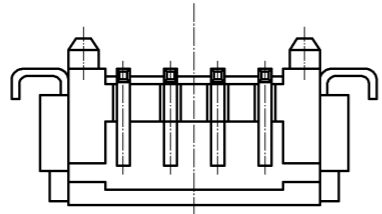
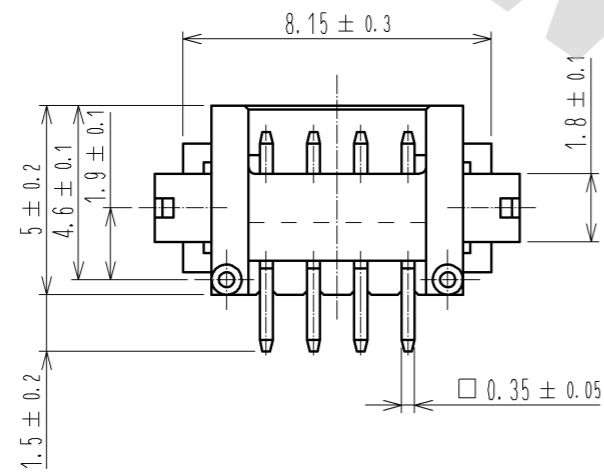
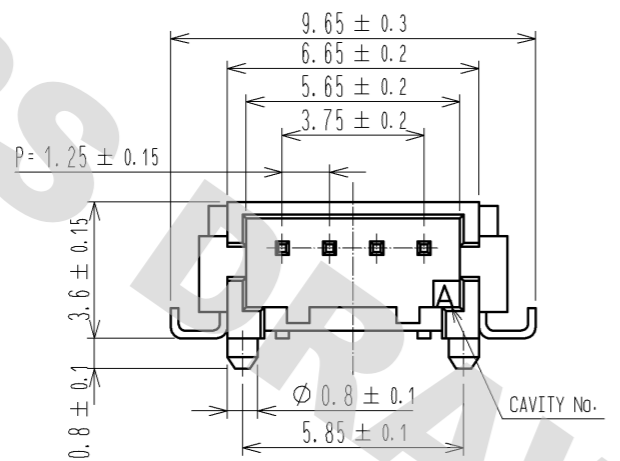


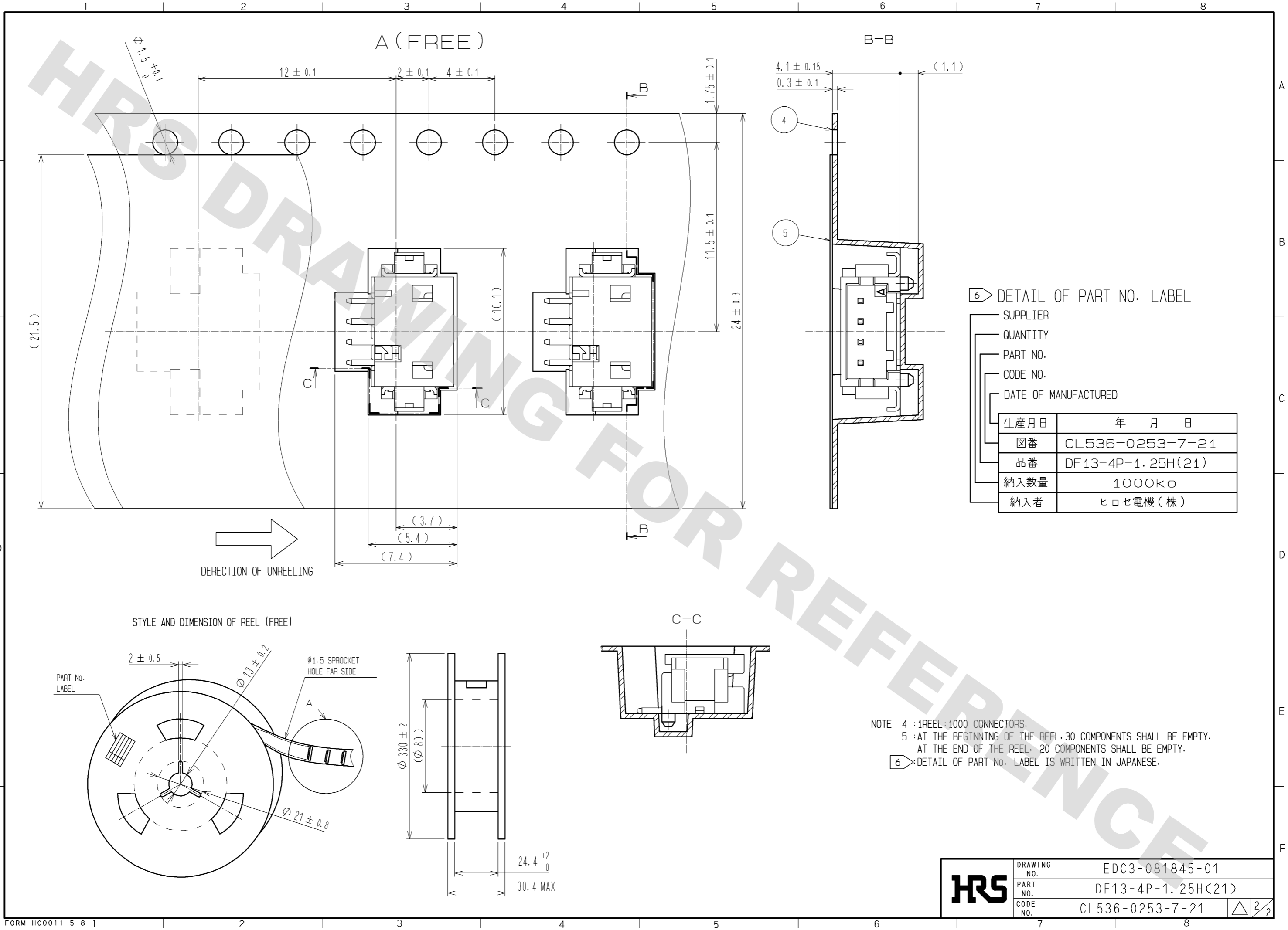
DRAWING FOR REFERENCE: This is subject to change without notice  
08/11/2012



NOTE ①: WHEN THIS CONNECTOR MATES WITH DF13-4S-1.25C THE MATING HEIGHT IS 3.6 mm.  
 ②: FLATNESS OF LEAD WITH REINFORCED METAL FITTINGS SHALL BE WITHIN 0.1mm.  
 ③: RECOMMENDED THICKNESS OF CREAM SOLDER PASTE: 0.15mm ~ 0.2mm  
 OPEN AREA RATIO: 100%

2	BRASS	SURFACE PLATING: TIN PLATED 1μm min UNDER PLATING: COPPER PLATED 0.5μm min	5	POLYESTER	COVER TAPE: CLEAR	
1	POLYAMIDE	BEIGE (NATURAL), UL94V-0	4	PS	EMBOSSED CARRIER TAPE: CLEAR	
			3	PHOSPHOR BRONZE	SURFACE PLATING: TIN PLATED 1μm min	
NO.	MATERIAL	FINISH, REMARKS	NO.	MATERIAL	FINISH, REMARKS	
UNITS	mm	SCALE	5 : 1	COUNT	△	
		DESCRIPTION OF REVISIONS		DESIGNED	CHECKED	DATE
APPROVED: TS. SAKATA		08.08.28		DRAWING NO. EDC3-081845-01		
CHECKED: TS. KUMAZAWA		08.08.27		PART NO. DF13-4P-1.25H(21)		
DESIGNED: SN. KOBAYASHI		08.08.01		CODE NO. CL536-0253-7-21		
DRAWN: SN. KOBAYASHI		08.08.01		△ 1/2		

DRAWING FOR REFERENCE: This is subject to change without notice  
08/11/2012



6: DETAIL OF PART NO. LABEL

- SUPPLIER
- QUANTITY
- PART NO.
- CODE NO.
- DATE OF MANUFACTURED

生産月日	年 月 日
☒番	CL536-0253-7-21
品番	DF13-4P-1.25H(21)
納入数量	1000k $\phi$
納入者	ヒロセ電機(株)

<b>HRS</b>	DRAWING NO.	EDC3-081845-01
	PART NO.	DF13-4P-1.25H(21)
	CODE NO.	CL536-0253-7-21
		$\triangle$ 2/2