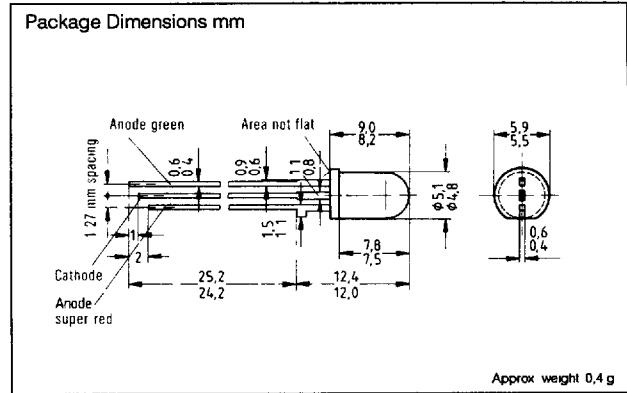
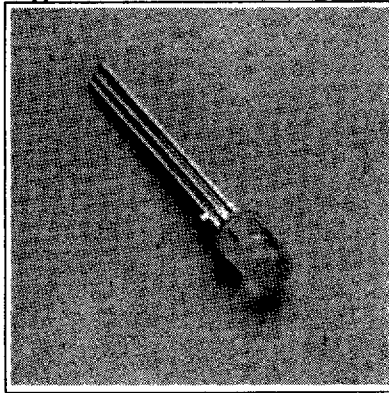


SIEMENS

LU 5350

**TWO-COLOR, RED AND GREEN
T1³/₄ LED LAMP**

T-41-25



LED Lamps

FEATURES

- T1³/₄ Package Size
- Colorless Clear Partly Diffused Lens
- Two-Color Operation, Red and Green
- Three Leads, Middle Lead is Common Cathode
- Minimum Lead Length 1"
- .05" Lead Spacing

DESCRIPTION

The LU 5350 series has a colorless round, 5 mm case with diffuser layer. Two chips (green and red) allow use as optical indicator with two functions.

Because of its very low current consumption and hence low inherent heating as well as high vibration resistance and long service life, this LED is suitable for applications where signal lamps are not or only inadequately useful. Moreover, the LED can be driven by TTL ICs.

Maximum Ratings

Reverse Voltage (V_R)	5 V
Forward Current* (I_F)	45 mA
Surge Current* (I_{FS}), $t \leq 10 \mu s$	1 A
Storage Temperature (T_{STG})	-55°C to +100°C
Junction Temperature (T_J)	100°C
Power Dissipation (P_{TOT}) $T_A=25^\circ C$	150 mW
Thermal Resistance ($R_{TH(A)}$) Junction-to-Air	500 KW

Characteristics ($T_A=25^\circ C$)

Parameter	Symbol	Red	Green	Unit
Wavelength of the Emitted Light	λ_{PEAK}	635	565	nm
Dominant Wavelength	λ_{DOM}	628	567	nm
Viewing Angle (Limits for 50% of Luminous Intensity I_v)	ϕ	50	50	Deg.
Forward Voltage ($I_F=10 \text{ mA}$)	V_F	2.0 (≤ 2.6)	2.0 (≤ 2.6)	
Reverse Current ($V_R=5 \text{ V}$)	I_R	0.01 (≤ 10)	0.01 (≤ 10)	μA
Rise Time	t_r	300	450	ns
Fall Time	t_f	150	200	ns
Capacitance ($V_R=0 \text{ V}$, $f=1 \text{ MHz}$)	C_0	12	15	pF
Luminous Intensity				
Part Number	Min.	Max.	Unit	Test Condition
LU 5350-GL	1.6	20	mcd	10 mA
LU 5350-HM	2.5	32	mcd	10 mA
LU 5350-JM	4	32	mcd	10 mA

See graph numbers 1, 2F, 3A, 4A, 5A, 6A, 7A, 8, 9, 10 on pages 42 – 48.

* The ratings indicated for the forward current I_F or the surge current I_{FS} , respectively, are maximum ratings of the component. If both chips are operated simultaneously, the sum of the forward current ratings is not allowed to exceed the indicated maximum value.