

SPEED/PACKAGE AVAILABILITY

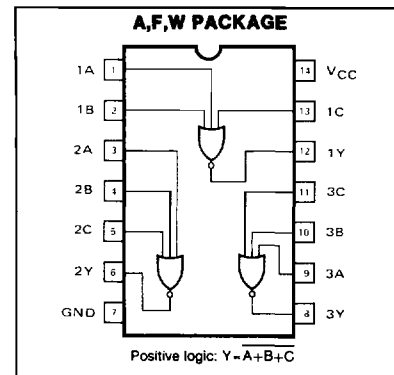
54 F,W 74 A,F
 54LS F,W 74LS A,F

SWITCHING CHARACTERISTICS $V_{CC} = 5V, T_A = 25^\circ C$

TEST CONDITIONS	54/74			54/74LS			UNIT
	MIN	TYP	MAX	MIN	TYP	MAX	
Propagation delay time t_{PLH} Low-to-high		7	11		5	15	ns
t_{PHL} High-to-low		10	15		9	15	ns

Load circuit and typical waveforms are shown at the front of section.

PIN CONFIGURATION



SPEED/PACKAGE AVAILABILITY

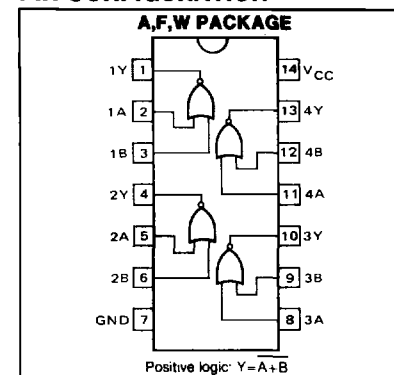
54 F,W 74 A,F
 54LS F,W 74LS A,F

SWITCHING CHARACTERISTICS $V_{CC} = 5V, T_A = 25^\circ C$

TEST CONDITIONS	54/74			54/74LS			UNIT	
	MIN	TYP	MAX	MIN	TYP	MAX		
Propagation delay time t_{PLH} Low-to-high		6	9		12	24	ns	
t_{PHL} High-to-low		$C_L = 150pF$	10	15		12	24	ns
		$C_L = 150pF$	8	12				
			12					

Load circuit and typical waveforms are shown at the front of section.

PIN CONFIGURATION



LOGIC