

KBPC6005 THRU KBPC610

SINGLE PHASE SILICON BRIDGE RECTIFIER

VOLTAGE: 50 TO 1000V CURRENT: 6.0A

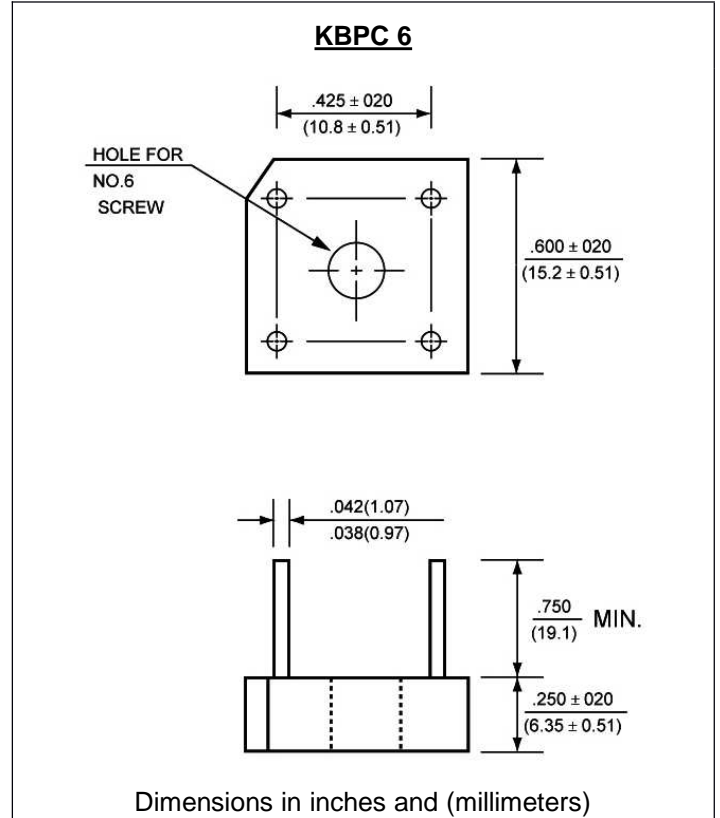


FEATURE

Surge overload rating: 125 A peak
High case dielectric strength

MECHANICAL DATA

Terminal: Plated leads solderable per MIL-STD 202E, method 208C
Case: UL-94 Class V-0 recognized Flame Retardant Epoxy
Polarity: Polarity symbol marked on body
Mounting: Hole thru for # 6 screw



MAXIMUM RATINGS AND ELECTRICAL CHARACTERISTICS

(single-phase, half -wave, 60HZ, resistive or inductive load rating at 25°C, unless otherwise stated, for capacitive load, derate current by 20%)

	SYMBOL	KBPC 6005	KBPC 601	KBPC 602	KBPC 604	KBPC 606	KBPC 608	KBPC 610	units
Maximum Recurrent Peak Reverse Voltage	V _{rrm}	50	100	200	400	600	800	1000	V
Maximum RMS Voltage	V _{rms}	35	70	140	280	420	560	700	V
Maximum DC blocking Voltage	V _{dc}	50	100	200	400	600	800	1000	V
Maximum Average Forward Rectified Current at T _c =75°C	I _{f(av)}	6.0							A
Peak Forward Surge Current 8.3ms single half sine-wave superimposed on rated load	I _{fsm}	125.0							A
Maximum Instantaneous Forward Voltage at forward current 3.0A DC	V _f	1.0							V
Maximum DC Reverse Current T _a =25°C at rated DC blocking voltage T _a =100°C	I _r	10.0 200.0							μA μA
Operating Temperature Range	T _j	-55 to +125							°C
Storage and Operation Junction Temperature	T _{stg}	-55 to +150							°C

RATINGS AND CHARACTERISTIC CURVES KBPC6005 THRU KBPC610

FIG. 1 - MAXIMUM NON-REPETITIVE FORWARD SURGE CURRENT

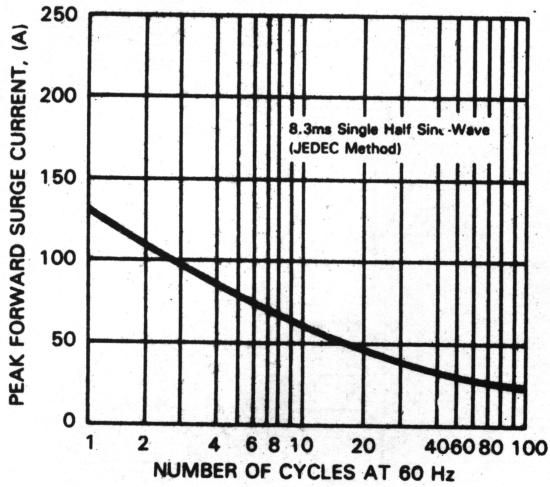


FIG. 2 - TYPICAL FORWARD CURRENT DERATING CURVE

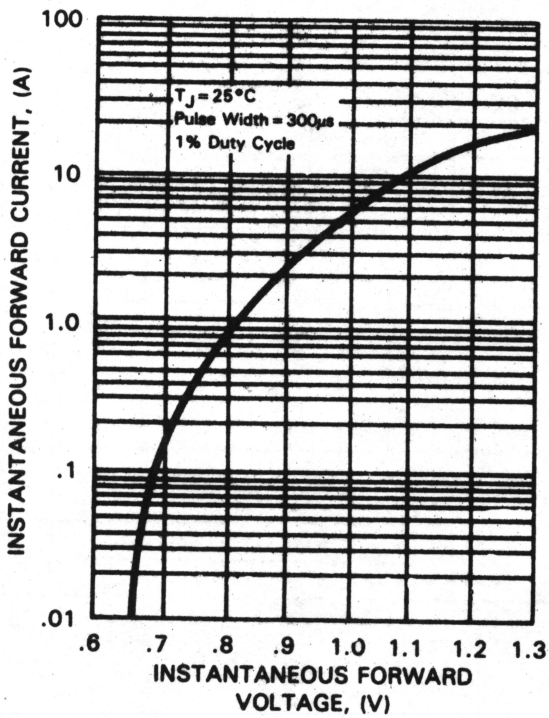
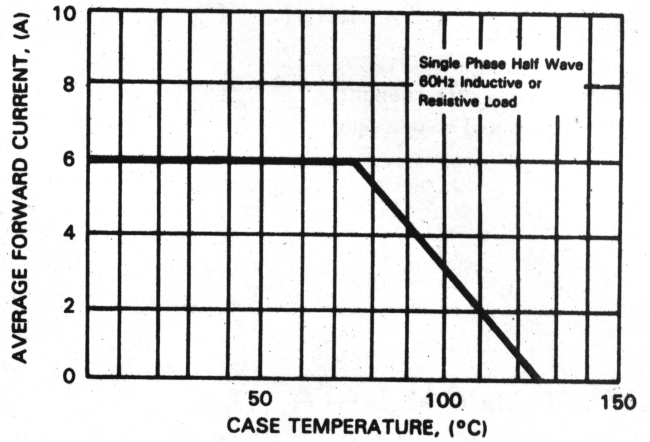


FIG. 4 - TYPICAL REVERSE CHARACTERISTICS

