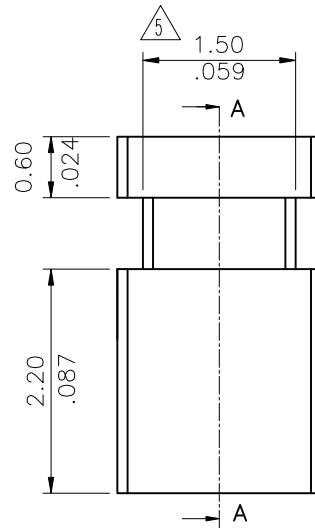
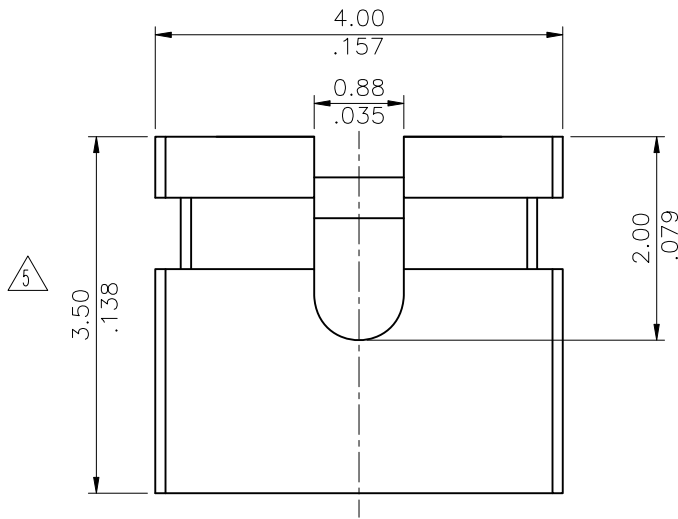


SEC A-A



Material:

- * Insulation: PBT+ 30% GF. UL 94V-0
- * Contact: Phosphor Bronze

Ordering Code:

CS01 34 2 B 1 00
 ① ② ③ ④ ⑤ ⑥

- ① Series No.
- ② Isulation high:
- ③ Plating option:
 2= Gold flash plated over
 1.27 μm(50 μ") Nickel
- ④ Contact type:
 B= Open end
- ⑤ Color code:
 1= Black ,3= Red ,7= Blue
- ⑥ Option:
 00= Standard

設變暫用圖面

有效期限2022/01/31

RoHS Compliant

5	Yushu	12/26-19	ECRT		DATE	UNIT: mm / inch	TITLE: 2.00MM(.079")	瀚荃股份有限公司 CviLux Corporation
4	Sun	8/12/19'	ECNT119207	DRAWN BY: Karen	12/10-21'	TOLERANCE UNLESS OTHERWISE SPECIFIED	LOW PROFILE OPEN TOP SHUNT	
3	Enya	5/8-13'	ECR13036-0/ECN13103-0	ENGINEER:		.X ± 0.38 / .015	MATERIAL:	DRAWING NO. CS0101SF PART NO. CS01342B*00
2	Sandy	5/5-09'	ECN09224	CHECKED BY:		.XX ± 0.25 / .010	FINISH:	
SYM	NAME	DATE	REVISIONS	APPROVED BY:		.XXX ± 0.15 / .006	SCALE	10 / 1
						.X' ± 1"	SHEET	1 OF 1
						.X' ±		
						.XX' ±		