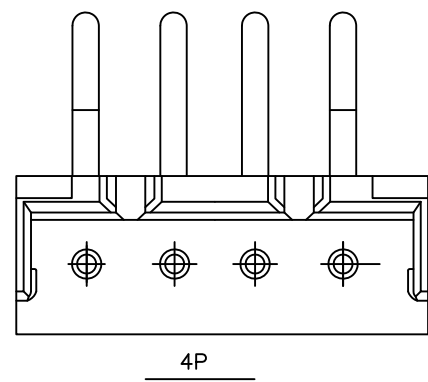
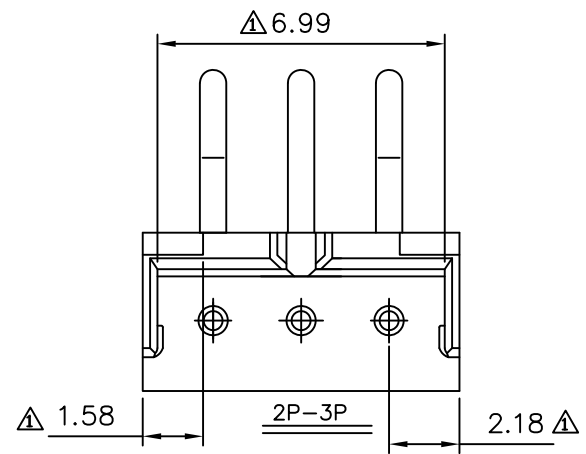
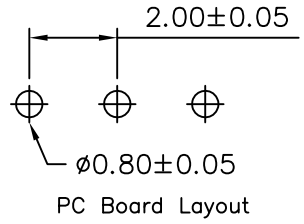
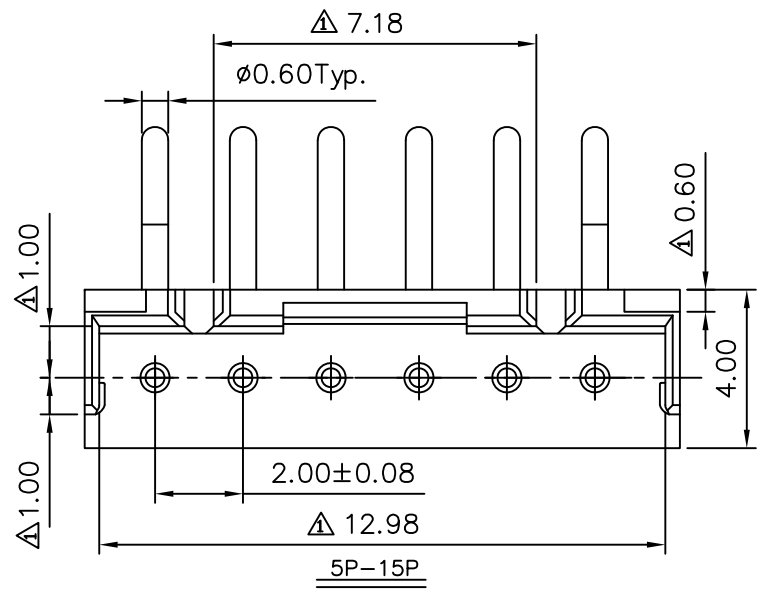
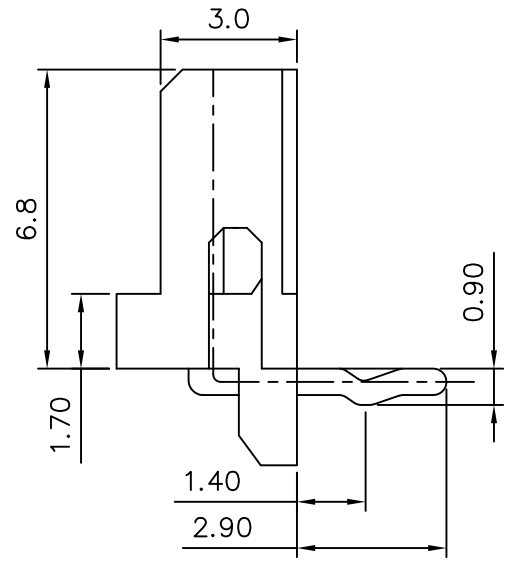
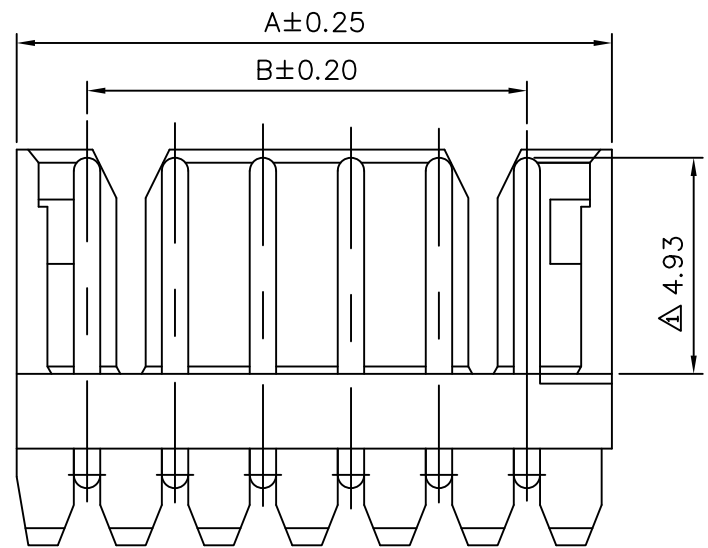


SPECIFICATIONS

Insulator Material: Nylon 66, UL 94V-0
 Contact Material: Brass Tin Plated
 Q'ty: 1000 PCS/Bag
 Circuits: 2~15



Circuits	A	B
2	6.00	2.00
3	8.00	4.00
4	10.00	6.00
5	12.00	8.00
6	14.00	10.00
7	16.00	12.00
8	18.00	14.00
9	20.00	16.00
10	22.00	18.00
11	24.00	20.00
12	26.00	22.00
13	28.00	24.00
14	30.00	26.00
15	32.00	28.00



AUK A MEMBER OF AUK GROUP
太聯事業股份有限公司
AUK CONTRACTORS CO., LTD.

CATEGORY		APPROVED BY		UNLESS OTHERWISE SPECIFIED TOLERANCES ARE .X ±0.25 .XX ±0.15 .XXX ±0.08
PART No. CTXXR		MEI		
DRAWING No. CTXXR		CHECKED BY BECKY		
SCALE NONE		DRAWING BY HZF		
REV.	A1	UNIT	mm	

NO.	REV.	REVISIONS	CHK	DATE
△ A1		Add Dim.	INGRID	01/25/2008
△ A0		NEW RELEASE		