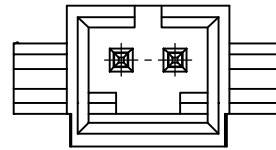
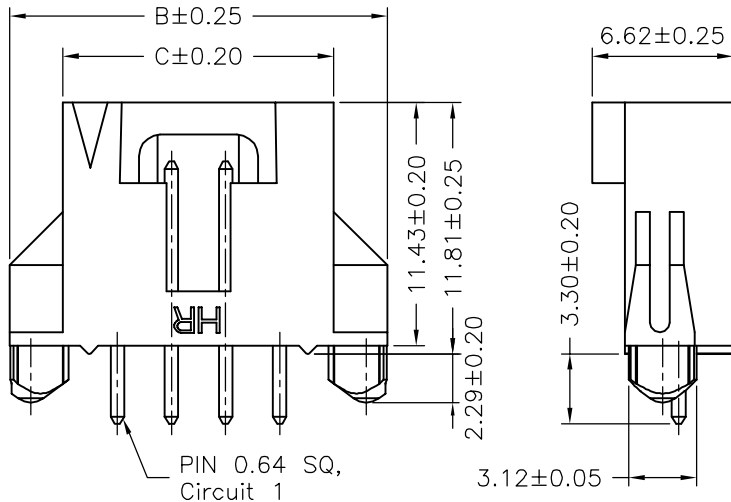
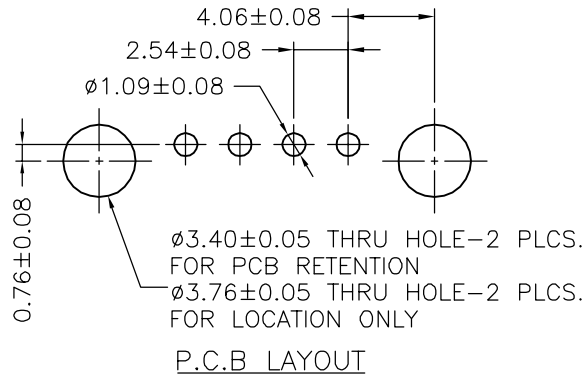
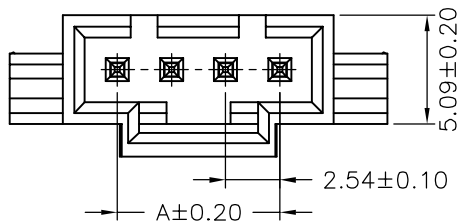


03P



02P



**SPECIFICATIONS**

Current Rating: 3A AC,DC  
 Voltage Rating: 250V AC,DC  
 Temperature Range: -25°C ~ +85°C  
 Contact Resistance: 20mΩ Max  
 Insulation Resistance: 1000MΩ Min  
 Withstanding Voltage: 15000V AC/minute  
 Pin Material: Brass/Gold-flash  
 Material: PBT30%GF,UL94V-0  
 Color: Natural(Black)

**Ordering Information & Dimensions**

PART NO.	Dimensions		
	A	B	C
A2541WV-F-02P	2.54	12.63	7.63
A2541WV-F-03P	5.08	15.17	10.17
A2541WV-F-04P	7.62	17.71	12.71
A2541WV-F-05P	10.16	20.25	15.25
A2541WV-F-06P	12.70	22.79	17.79
A2541WV-F-07P	15.24	25.33	20.33
A2541WV-F-08P	17.78	27.87	22.87
A2541WV-F-09P	20.32	30.41	25.41
A2541WV-F-10P	22.86	32.95	27.95
A2541WV-F-11P	25.40	35.49	30.49
A2541WV-F-12P	27.94	38.03	33.03

UNIT	SCALE	SHEET	TITLE:	
mm		1 of 1	2.54mm PITCH 180° WAFER	
DRAWN BY	APPROVED BY			
董正一	董正一			
B3	REVISE	2007.07.18	2004.12.28	2004.12.28
B2	REVISE	2006.12.19	GENERAL TOLERANCE	
B1	REVISE	2006.09.25	X.X±0.25	ANGLE±
B0	NEW RELEASE	2006.04.10	X.XX±0.15	
REV.	DESCRIPTION	DATE	X.XXX±0.05	
DRAW NO. : A2541WV-F-XP				REV. B3