

SIDE ENTRY DUAL ROW FEMALE HEADER

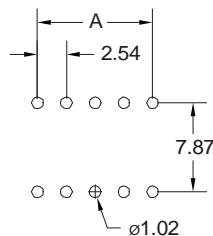
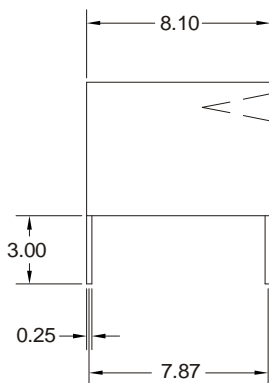
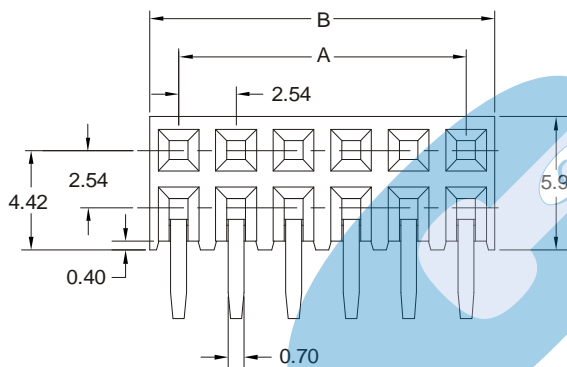
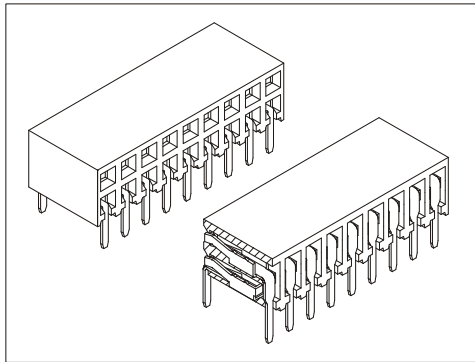


5455 SERIES. 2.54 X 7.87mm(0.100" X 0.310"). For PCB Solder

Features

- Available in 6 through 80 circuits
- Insulator Material: Nylon 6-T UL 94V-0
- Mates with 2.54mm pitch and 0.64mm square pin headers
- Different plating options are available
- Pin stop to prevent shorting circuits between rows
- High quality dual beam phosphor bronze contacts

Dimensional Information



MECANIZADO RECOMENDADO

Ordering and Dimensional Information

Circuit Size	Part Number	Dimensions	
		A	B
06	5455-T061	5,08(0,200)	7,62(0,300)
08	5455-T081	7,62(0,300)	10,16(0,400)
10	5455-T101	10,16(0,400)	12,70(0,500)
12	5455-T121	12,70(0,500)	15,24(0,600)
14	5455-T141	15,24(0,600)	17,78(0,700)
16	5455-T161	17,78(0,700)	20,32(0,800)
18	5455-T181	20,32(0,800)	22,86(0,900)
20	5455-T201	22,86(0,900)	25,40(1,000)
22	5455-T221	25,40(1,000)	27,94(1,100)
24	5455-T241	27,94(1,100)	30,48(1,200)
26	5455-T261	30,48(1,200)	33,02(1,300)
28	5455-T281	33,02(1,300)	35,56(1,400)
30	5455-T301	35,56(1,400)	38,10(1,500)
32	5455-T321	38,10(1,500)	40,64(1,600)
34	5455-T341	40,64(1,600)	43,18(1,700)
36	5455-T361	43,18(1,700)	45,72(1,800)
38	5455-T381	45,72(1,800)	48,26(1,900)
40	5455-T401	48,26(1,900)	50,80(2,000)
42	5455-T421	50,80(2,000)	53,34(2,100)
44	5455-T441	53,34(2,100)	55,88(2,200)
46	5455-T461	55,88(2,200)	58,42(2,300)
48	5455-T481	58,42(2,300)	60,96(2,400)
50	5455-T501	60,96(2,400)	63,50(2,500)
52	5455-T521	63,50(2,500)	66,04(2,600)
54	5455-T541	66,04(2,600)	68,58(2,700)
56	5455-T561	68,58(2,700)	71,12(2,800)
58	5455-T581	71,12(2,800)	73,66(2,900)
60	5455-T601	73,66(2,900)	76,20(3,000)
62	5455-T621	76,20(3,000)	78,74(3,100)
64	5455-T641	78,74(3,100)	81,28(3,200)
66	5455-T661	81,28(3,200)	83,82(3,300)
68	5455-T681	83,82(3,300)	86,36(3,400)
70	5455-T701	86,36(3,400)	88,90(3,500)
72	5455-T721	88,90(3,500)	91,44(3,600)
74	5455-T741	91,44(3,600)	93,98(3,700)
76	5455-T761	93,98(3,700)	96,52(3,800)
78	5455-T781	96,52(3,800)	99,06(3,900)
80	5455-T801	99,06(3,900)	101,60(4,000)

T = Contact Plating

- T = 2. Tin plated
- T = 3. Gold flash over 50µ" nickel
Recommended Finish
- T = 5. 15µ" gold over 50µ" nickel
- T = 6. 30µ" gold over 50µ" nickel
- T = 13. Selective gold flash over 50µ" nickel
- T = 15. 15µ" selective gold over 50µ" nickel
- T = 16. 30µ" selective gold over 50µ" nickel