

Customer Information Sheet

DRAWING No: M22-220XXXX SHEET 2 OF 2 IF IN DOUBT - ASK (C) NOT TO SCALE THIRD ANGLE PROJECTION ALL DIMENSIONS IN mm

PART No.	DIM 'A'	DIM 'B'
M22-22002XX	2.00	6.00
M22-22003XX	4.00	8.00
M22-22004XX	6.00	10.00
M22-22005XX	8.00	12.00
M22-22006XX	10.00	14.00
M22-22007XX	12.00	16.00
M22-22008XX	14.00	18.00

PART No.	DIM 'A'	DIM 'B'
M22-22009XX	16.00	20.00
M22-22010XX	18.00	22.00
M22-22011XX	20.00	24.00
M22-22012XX	22.00	26.00
M22-22013XX	24.00	28.00
M22-22014XX	26.00	30.00
M22-22015XX	28.00	32.00

SPECIFICATIONS:

MATERIAL:

MOULDING = NYLON 9T, UL94V-0

CONTACTS = BRASS

FINISH:

45 = GOLD

46 = 100% TIN

ELECTRICAL:

CURRENT RATING = 2A

VOLTAGE RATING = 100V AC/DC

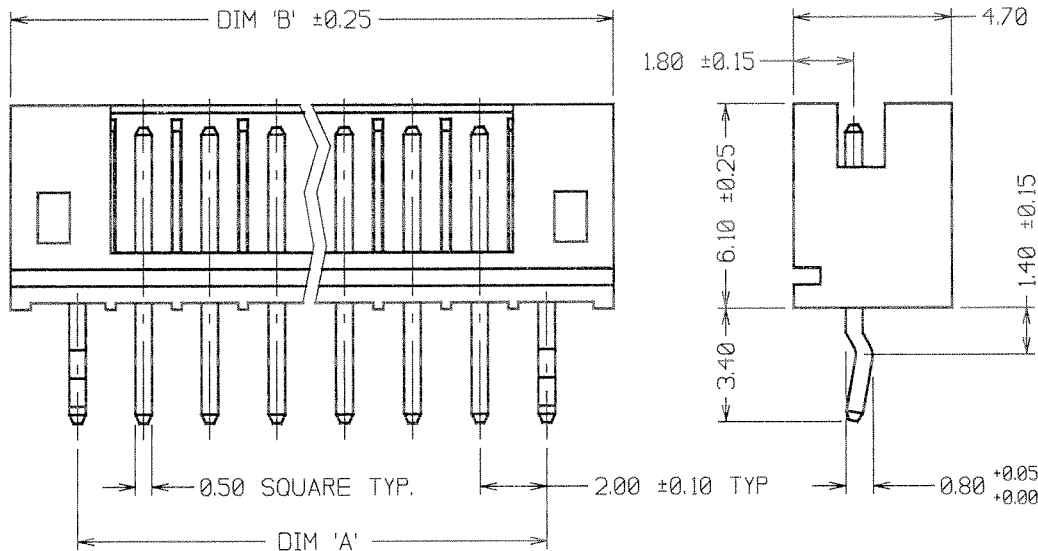
DIELECTRIC WITHSTANDING = 800V AC MIN

INSULATION RESISTANCE = 1,000 MEGOHMS MIN

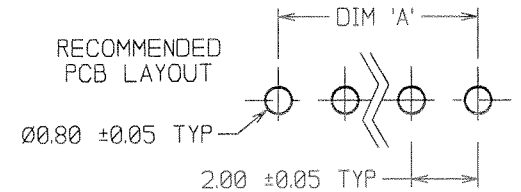
ENVIRONMENTAL:

TEMPERATURE RANGE = -25°C TO +85°C

FOR COMPLETE SPECIFICATION, SEE COMPONENT SPECIFICATION C018XX (LATEST ISSUE)



RECOMMENDED PCB LAYOUT



NOTES.

- ALL TOLERANCES ARE ±0.20 UNLESS OTHERWISE STATED.

ORDER CODE:

M22-220XXXX

No. OF WAYS
02 TO 15

FINISH:

45 = GOLD

46 = 100% TIN

RA	11	06.07.07	9814
NAME	ISS.	DATE	C/NOTE
APPROVED: <i>[Signature]</i>			
CHECKED: <i>[Signature]</i>			
DRAWN: W. J. BOURNE			
CUSTOMER REF.:			
ASSEMBLY DRG.:			

HARWIN

HARWIN USA TEL: 603 893 5376 FAX: 603 893 5396 mls@harwin.com
 HARWIN Europe (UK) TEL: 023 9231 4545 FAX: 023 9231 4590 mls@harwin.co.uk
 HARWIN Asia TEL: +65 6 779 4909 FAX: +65 6 779 3868 mls@harwin.com.sg

THIS DRAWING AND ANY INFORMATION OR DESCRIPTIVE MATTER SET OUT HEREON ARE CONFIDENTIAL AND COPYRIGHT PROPERTY OF THE HARWIN GROUP AND MUST NOT BE DISCLOSED, LOANED, COPIED OR USED FOR MANUFACTURING, TENDERING OR FOR ANY OTHER PURPOSE WITHOUT THEIR WRITTEN PERMISSION.

TOLERANCES
 X. = ±1mm
 X.X = ±0.25mm
 X.XX = ±0.10mm
 X.XXX = ±0.01mm
 ANGLES = ±5°
 UNLESS STATED

MATERIAL:

SEE ABOVE

FINISH: SEE ABOVE

S/AREA: mm²

TITLE:

2mm VERTICAL SHROUDED PIN HEADER

DRAWING NUMBER:

M22-220XXXX

SHT 2 OF 2