

INTRODUCTION:

Adam Tech MHR Series Shrouded Headers with Latches are often permanently mounted to PC boards and mate with IDC socket connectors. They conform to all requirements of MIL-C-83503 DIN 41651 and BT-224. Ejection latches make it easy to remove the socket from the header without stressing the PC board and ensures positive mating under shock and vibration.

FEATURES:

- Long and short ejector latches accommodate sockets with or without strain relief
- Shroud prevents physical, electrical and chemical pin damage
- Custom pin lengths available
- Center polarization slot to ensure proper orientation
- Molded-in standoffs enable easy cleaning
- Available in 10 - 64 positions

MATING OPTIONS:

Mates with Adam Tech FCS Flat Cable IDC Sockets and all industry standard flat cable IDC sockets.

SPECIFICATIONS:

Material:

Insulator: Polybutylene Terephthalate (PBT), glass reinforced thermoplastic, rated UL 94V-0

Insulator color: Black, Optional color: Gray

Contacts: Phosphor Bronze

Plating:

U = 5 µin gold nom. (optional 30 µin) overall to MIL-G-45204, Type II, Grade C over 50 µin nickel underplate to QQ-N-290, Class 2, Grade C

SG = 5 µin gold nom. on mating length to MIL-G-45204, Type II, Grade C, 100 µin bright tin to MIL-T-10727 on solder tails

T = 100 µin bright tin plate to MIL-T-10727, Type 1 with 50 µin copper underplate to MIL-C-14550

Electrical:

Operation voltage: 250 VAC max

Current rating: 5 Amps max

Contact resistance: 20 mΩ max

Insulation resistance: 5000 MΩ min @ 1000 VDC between adjacent contacts (75°F and 50% R.H.)

Dielectric withstanding voltage: 1000 VAC min rms (sea level)

Mechanical:

Mating durability: 750 cycles min

Environmental:

Operating temperature: -65°C to +125°C

PACKAGING:

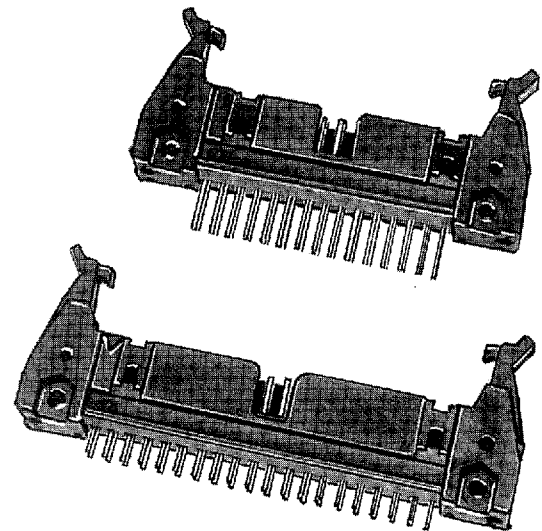
Anti-static plastic trays

APPROVALS AND CERTIFICATIONS:

Recognized under the component program

of Underwriters Laboratories, Inc. No. E167232

Certified by Canadian Standards Association No. LR75112



ORDERING INFORMATION



SERIES INDICATOR

MHR = Shrouded Header with Latches

POSITIONS

10, 14, 16, 20, 26, 30, 34, 40, 50, 56, 60, 64

MOUNTING ANGLE

V = Straight Mount
H = Right Angle Mount

LATCHING FEATURES

S = Short latches (for sockets w/o strain relief)

L = Long latches (for sockets w/strain relief)

N = No latches

PIN LENGTHS

A = Standard length solder tail

B = Special length, customer specified

CONTACT PLATING

U = Gold plated
SG = Gold plating in contact area, Tin plated solder tails

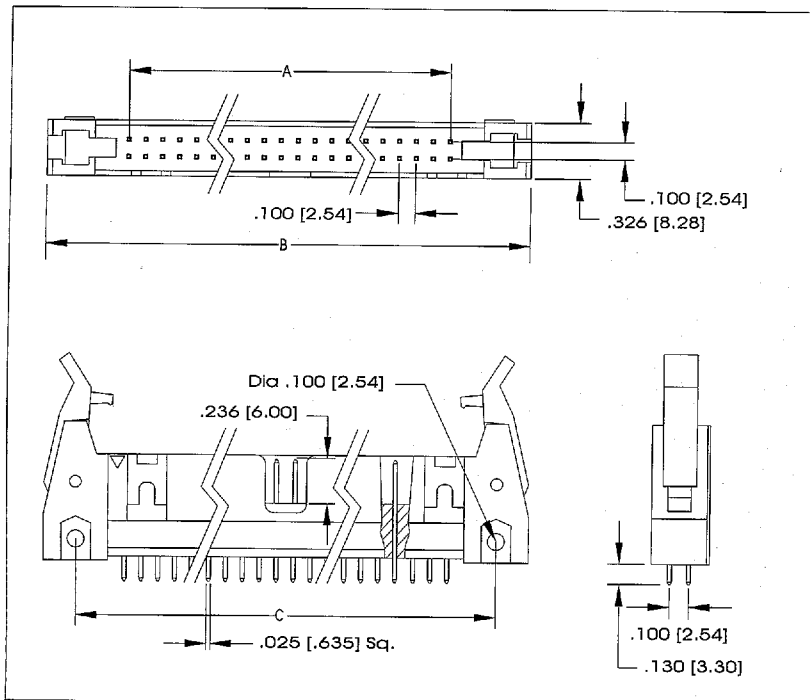
T = Tin plated

OPTIONS:

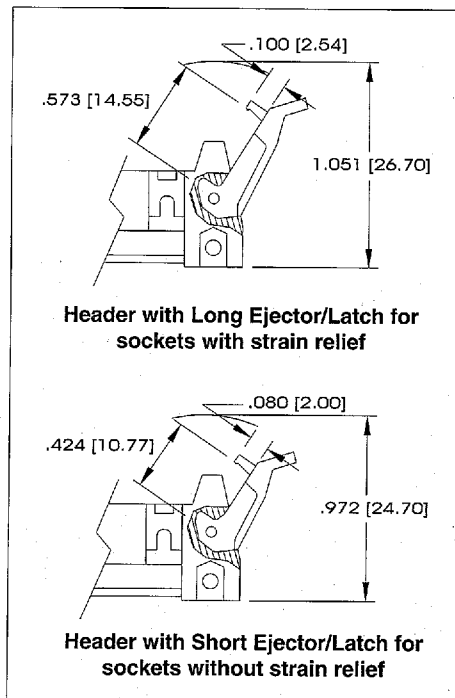
Add as suffix to basic part number

GY = Gray color insulator

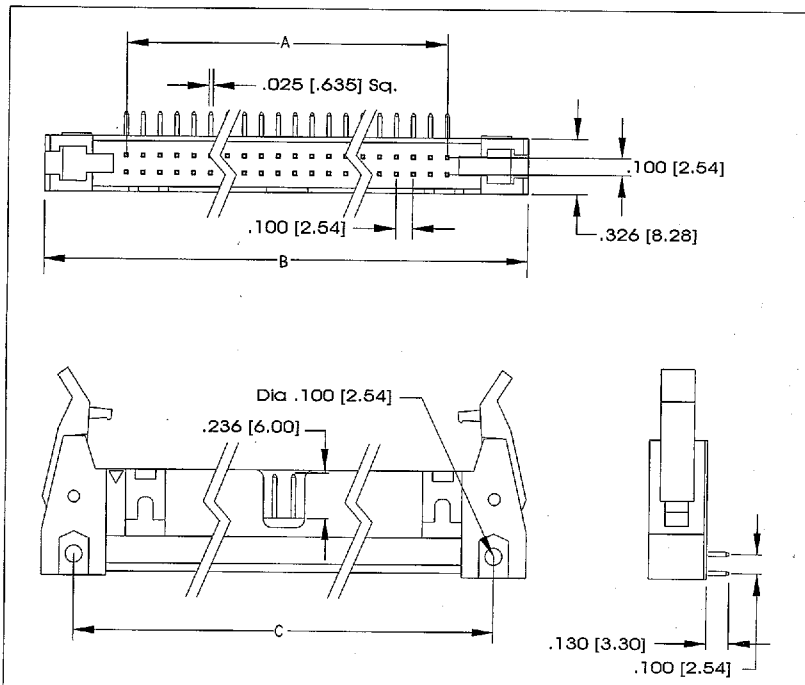
STRAIGHT MOUNT



LATCH OPTIONS



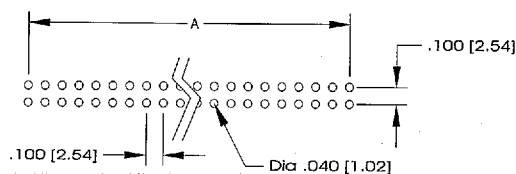
RIGHT ANGLE MOUNT



Unit: Inch / mm

Dimensional:			
CONTACTS	A	B	C
10	0.400 (10.16)	1.260 (32.00)	0.860 (21.84)
14	0.600 (15.24)	1.460 (37.08)	1.080 (26.92)
16	0.700 (17.78)	1.560 (39.62)	1.160 (29.46)
20	0.800 (22.86)	1.760 (44.70)	1.360 (34.54)
26	1.200 (30.48)	1.660 (52.32)	1.660 (42.16)
30	1.400 (35.56)	1.860 (47.24)	1.860 (47.24)
34	1.600 (40.64)	2.460 (62.48)	2.060 (52.32)
40	1.900 (48.26)	2.760 (70.10)	2.360 (59.94)
50	2.400 (60.96)	3.260 (82.80)	2.860 (72.64)
56	2.700 (67.50)	3.560 (90.42)	3.160 (80.26)
60	2.900 (73.66)	3.760 (95.50)	3.360 (85.34)
64	3.100 (78.74)	3.960 (100.58)	3.560 (90.42)

PC Board Layout



9017931 0000183 200