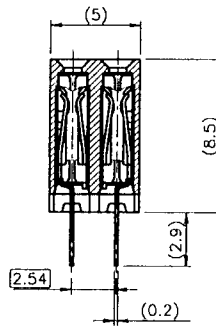
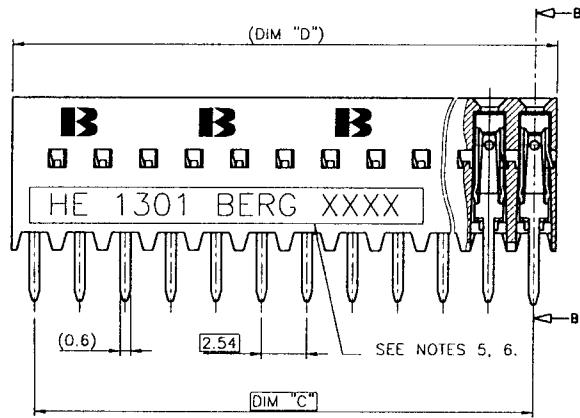
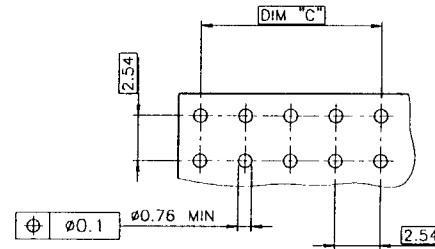


PRODUCT N°	DIM "C"	DIM "D"
87606-YXX	SEE TABLE SHEET 2/2	
87606-YXXC		

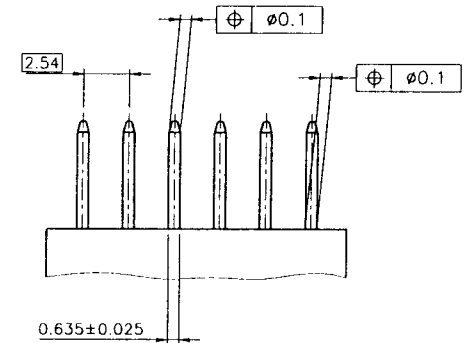
SEE NOTE 7



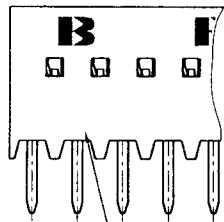
SECTION B-B



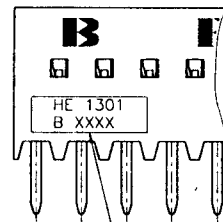
RECOMMENDED PC BOARD THICKNESS: 1.6±0.2
RECOMMENDED HOLES PATTERN



MINIMUM MATING LENGTH: 5
RECOMMENDED PINS PATTERN



SEE NOTES 3, 6.



SEE NOTES 4, 6.

NOTES:

- MATERIAL HOUSING: THERMOPLASTIC POLYESTER 30% GLASS FILLED, COLOUR BLUE, FLAME RETARDANT PER UL-94 CATEGORY V0.
- MATERIAL TERMINAL: PHOSPHOR BRONZE EXTRA HARD.
- NO PRINTING FOR 87606-Y02 UP TO Y05 + TOTAL PRINTING (NOTE B) ON PACKAGING (PLASTIC BOX).
- PRINTING METHOD FOR 87606-Y06 UP TO -Y09
- PRINTING METHOD FOR 87606-Y10 UP TO -Y50
- PRINTING BERG LOGO (B OR BERG), DATE CODE AND OTHER INFO. LEGIBLE WITH EITHER 0.8 ±0.3 HEIGHT CHARACTERS IN BLACK INK AS SHOWN.

B/BERG XX XX
 WEEK CODE
 YEAR CODE
 BERG LOGO

- A LETTER "C" AT THE END OF THE PART NUMBER TO INDICATE A PACKAGING IN SHORT TUBE (LENGTH = 550 mm)

87606-8XX(C)	0.4 μm 16 μm Au MIN OVER	1.3 μm 50 μm Ni MIN	SnPb OVER Ni	NO
87606-6XX(C)	2 μm 80 μm Au MIN OVER	1.3 μm 50 μm Ni MIN	SnPb OVER Ni	NO
87606-4XX(C)	5 μm 200 μm SnPb MIN OVER	0.1 μm 4 μm Ni MIN	SnPb OVER Ni	NO
87606-3XX(C)	0.75 μm 30 μm Au MIN OVER	1.3 μm 50 μm Ni MIN	SnPb OVER Ni	YES
PLATING CODE	CONTACT AREA	SOLDER TAIL	PRINTING	
PLATING EXPLANATION				

part. code		tolerances unless otherwise specified		CUSTOMER COPY		BERG ELECTRONICS	
tr	ecr no	tr	date	linear	projection	title	HE13 ASSY
C	F00715	GBO	90.11.27	angles	mm	product family	DX VCC DR
D	F60258	DWA	96.04.01		scale	size dwg no	213
					5:1	sheet	1 of 2
sheet index	revision sheet	D	D				
1	2						

BERG ELECTRONICS

PRODUCT NUMBER	NUMBER OF POS.	DIM"C"	DIM"D"
87606-Y02	2 x 02	2.54/ .100	5.00/ .197
87606-Y03	2 x 03	5.08/ .200	7.54/ .297
87606-Y04	2 x 04	7.62/ .300	10.08/ .397
87606-Y05	2 x 05	10.16/ .400	12.62/ .497
87606-Y06	2 x 06	12.70/ .500	15.16/ .597
87606-Y07	2 x 07	15.24/ .600	17.70/ .697
87606-Y08	2 x 08	17.78/ .700	20.24/ .797
87606-Y09	2 x 09	20.32/ .800	22.78/ .897
87606-Y10	2 x 10	22.86/ .900	25.32/ .997
87606-Y11	2 x 11	25.40/1.000	27.86/1.097
87606-Y12	2 x 12	27.94/1.100	30.40/1.197
87606-Y13	2 x 13	30.48/1.200	32.94/1.297
87606-Y14	2 x 14	33.02/1.300	35.48/1.397
87606-Y15	2 x 15	35.56/1.400	38.02/1.497
87606-Y16	2 x 16	38.10/1.500	40.56/1.597
87606-Y17	2 x 17	40.64/1.600	43.10/1.697
87606-Y18	2 x 18	43.18/1.700	45.64/1.797
87606-Y19	2 x 19	45.72/1.800	48.18/1.897
87606-Y20	2 x 20	48.26/1.900	50.72/1.997
87606-Y21	2 x 21	50.80/2.000	53.26/2.097
87606-Y22	2 x 22	53.34/2.100	55.80/2.197
87606-Y23	2 x 23	55.88/2.200	58.34/2.297
87606-Y24	2 x 24	58.42/2.300	60.88/2.397
87606-Y25	2 x 25	60.96/2.400	63.42/2.497
87606-Y26	2 x 26	63.50/2.500	65.96/2.597
87606-Y27	2 x 27	66.04/2.600	68.50/2.697
87606-Y28	2 x 28	68.58/2.700	71.04/2.797
87606-Y29	2 x 29	71.12/2.800	73.58/2.897
87606-Y30	2 x 30	73.66/2.900	76.12/2.997

PRODUCT NUMBER	NUMBER OF POS.	DIM"C"	DIM"D"
87606-Y31	2 x 31	76.20/3.000	78.66/3.097
87606-Y32	2 x 32	78.74/3.100	81.20/3.197
87606-Y33	2 x 33	81.28/3.200	83.74/3.297
87606-Y34	2 x 34	83.82/3.300	86.28/3.397
87606-Y35	2 x 35	86.36/3.400	88.82/3.497
87606-Y36	2 x 36	88.90/3.500	91.36/3.597
87606-Y37	2 x 37	91.44/3.600	93.90/3.697
87606-Y38	2 x 38	93.98/3.700	96.44/3.797
87606-Y39	2 x 39	96.52/3.800	98.98/3.897
87606-Y40	2 x 40	99.06/3.900	101.52/3.997
87606-Y41	2 x 41	101.60/4.000	104.06/4.097
87606-Y42	2 x 42	104.14/4.100	106.60/4.197
87606-Y43	2 x 43	106.68/4.200	109.14/4.297
87606-Y44	2 x 44	109.22/4.300	111.68/4.397
87606-Y45	2 x 45	111.76/4.400	114.22/4.497
87606-Y46	2 x 46	114.30/4.500	116.76/4.597
87606-Y47	2 x 47	116.84/4.600	119.30/4.697
87606-Y48	2 x 48	119.38/4.700	121.84/4.797
87606-Y49	2 x 49	121.92/4.800	124.38/4.897
87606-Y50	2 x 50	124.46/4.900	126.92/4.997

mail code		tolerances unless otherwise specified		CUSTOMER COPY		BERG ELECTRONICS	
itr	ech no	dr	date	linear	projection	title	
C	F00715	CB0	90.11.27			HE13 ASSY	
D	F60258	QMA	96.04.01	angles		product family	DX VCC DR
				dr	O. MATHEVON	96.04.01	code
				engr	JM. PHANVAN	96.04.01	213
				itr	P. NIZZI	96.04.01	sheet
				appd	JM.P	96.04.01	2 of 2
sheet index	revision			scale	N/A	A2	87606

BERG ELECTRONICS