

SN54ALS878A, SN54ALS879A, SN54AS878, SN54AS879 SN74ALS878A, SN74ALS879A, SN74AS878, SN74AS879 DUAL 4-BIT D-TYPE EDGE-TRIGGERED FLIP-FLOPS WITH 3-STATE OUTPUTS

SDAS062A - D2661, APRIL 1982 - REVISED MAY 1986

- 3-State Bus Driving Outputs
- Full Parallel-Access for Loading
- Buffered Control Inputs
- Choice of True or Inverting Logic
 - 'ALS878A, 'AS878 True Outputs
 - 'ALS879A, 'AS879 Inverting Outputs
- Synchronous Clear
- Package Options Include Plastic Small Outline Packages, Both Plastic and Ceramic Chip Carriers, and Standard Plastic and Ceramic 300-mil DIPs
- Dependable Texas Instruments Quality and Reliability

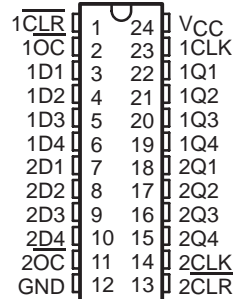
description

These dual 4-bit registers feature 3-state outputs designed specifically for bus driving. This makes these devices particularly suitable for implementing buffer registers, I/O ports, bidirectional bus drivers, and working registers.

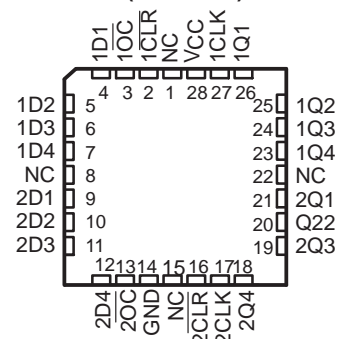
The dual 4-bit edge-triggered flip-flops enter data on the low-to-high transition of the clock (1CLK and 2CLK). All types have individual synchronous clear inputs and output control pins for each group of 4-bit registers.

The SN54ALS' and SN54AS' devices are characterized for operation over the full military temperature range of -55°C to 125°C . The SN74ALS' and SN74AS' devices are characterized for operation from 0°C to 70°C .

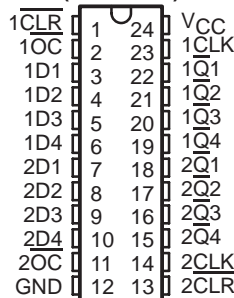
SN54ALS878A, SN54AS878 . . . JT PACKAGE
SN74ALS878A, SN74AS878 . . . DW OR NT PACKAGE
(TOP VIEW)



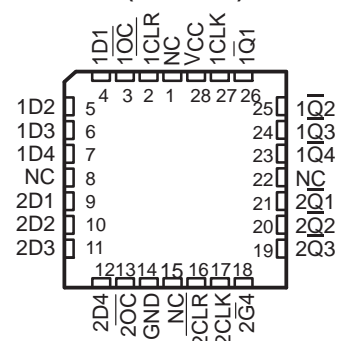
SN54ALS878A, SN54AS878 . . . FK PACKAGE
SN74ALS878A, SN74AS878 . . . FN PACKAGE
(TOP VIEW)



SN54ALS879A, SN54AS879 . . . JT PACKAGE
SN74ALS879A, SN74AS879 . . . DW OR NT PACKAGE
(TOP VIEW)



SN54ALS879A, SN54AS879 . . . FK PACKAGE
SN74ALS879A, SN74AS879 . . . FN PACKAGE
(TOP VIEW)



NC - No internal connection

PRODUCTION DATA information is current as of publication date. Products conform to specifications per the terms of Texas Instruments standard warranty. Production processing does not necessarily include testing of all parameters.



POST OFFICE BOX 655303 • DALLAS, TEXAS 75265
POST OFFICE BOX 1443 • HOUSTON, TEXAS 77001

Copyright © 1986, Texas Instruments Incorporated

SN54ALS878A, SN54ALS879A, SN54AS878, SN54AS879 SN74ALS878A, SN74ALS879A, SN74AS878, SN74AS879 DUAL 4-BIT D-TYPE EDGE-TRIGGERED FLIP-FLOPS WITH 3-STATE OUTPUTS

SDAS062A – D2661, APRIL 1982 – REVISED MAY 1986

FUNCTION TABLES

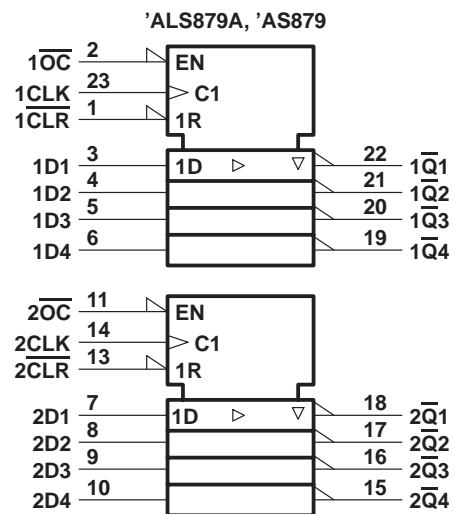
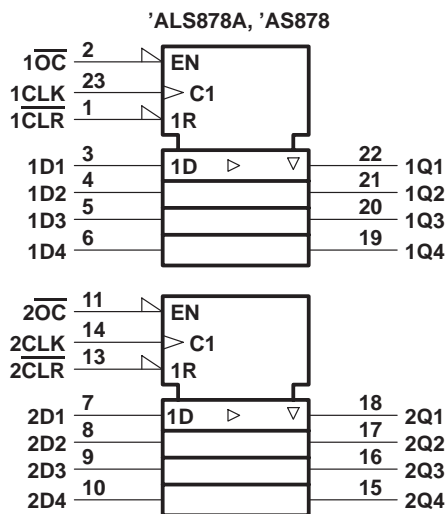
'ALS878A, 'AS878
(each flip-flop)

INPUTS				OUTPUT
\overline{OC}	\overline{CLR}	CLK	D	Q
L	L	\uparrow	X	L
L	H	\uparrow	H	H
L	H	\uparrow	L	L
L	H	L	X	Q_0
H	X	X	X	Z

'ALS879A, 'AS879
(each flip-flop)

INPUTS				OUTPUT
\overline{OC}	\overline{CLR}	CLK	D	\overline{Q}
L	L	\uparrow	X	H
L	H	\uparrow	H	L
L	H	\uparrow	L	H
L	H	L	X	Q_0
H	X	X	X	Z

logic symbols †

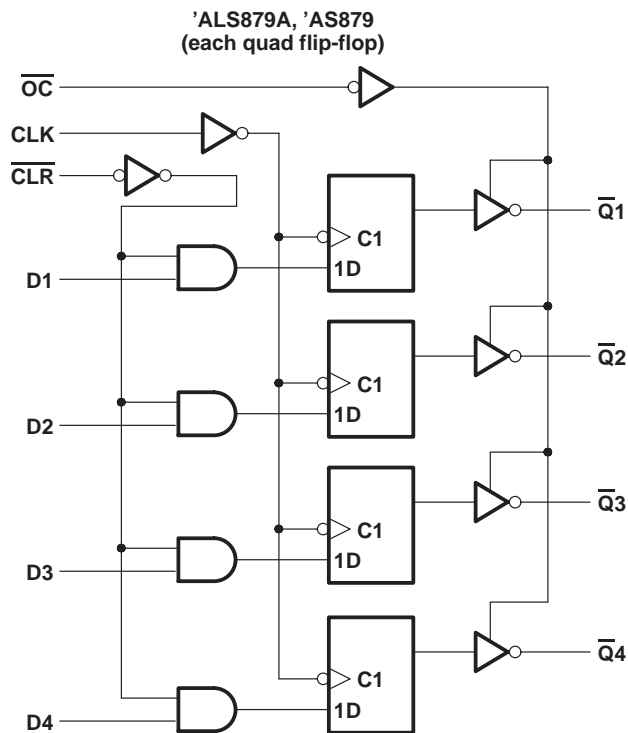
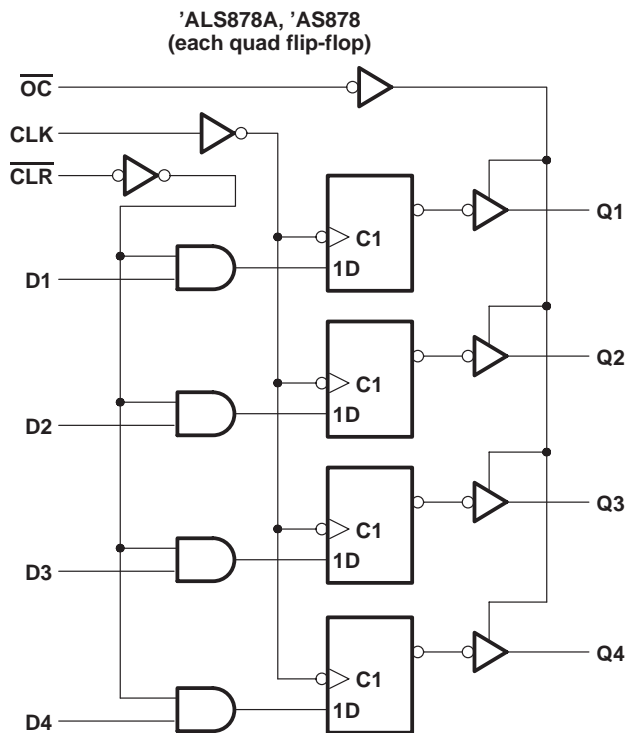


† These symbols are in accordance with ANSI/IEEE Std 91-1984 and IEC Publication 617-12.
Pin numbers shown are for DW, JT, and NT packages.

SN54ALS878A, SN54ALS879A
SN74ALS878A, SN74ALS879A

SDAS062A - D2661, APRIL 1982 - REVISED MAY 1986

logic diagrams (positive logic)



Pin numbers shown are for DW, JT, and NT packages.



SN54ALS878A, SN54ALS879A

SN74ALS878A, SN74ALS879A

DUAL 4-BIT D-TYPE EDGE-TRIGGERED FLIP-FLOPS WITH 3-STATE OUTPUTS

SDAS062A – D2661, APRIL 1982 – REVISED MAY 1986

absolute maximum ratings over operating free-air temperature range (unless otherwise noted)

Supply voltage, V_{CC}	7 V
Input voltage	7 V
Voltage applied to a disabled 3-state output	5.5 V
Operating free-air temperature range:	
SN54ALS878A, SN54ALS879A	–55°C to 125°C
SN74ALS878A, SN74ALS879A	0°C to 70°C
Storage temperature range	–65°C to 150°C

recommended operating conditions

		SN54ALS878A SN54ALS879A			SN74ALS878A SN74ALS879A			UNIT
		MIN	NOM	MAX	MIN	NOM	MAX	
V_{CC}	Supply voltage	4.5	5	5.5	4.5	5	5.5	V
V_{IH}	High-level input voltage	2			2			V
V_{IL}	Low-level input voltage			0.7			0.8	V
I_{OH}	High-level output current			–1			–2.6	mA
I_{OL}	Low-level output current			12			24	mA
f_{clock}	Clock frequency	'ALS878A	0	25	0		30	MHz
		'ALS879A	0	20	0		25	
t_w	Pulse duration	'ALS878A CLK high or low	20		16.5			ns
		'ALS879A CLK high or low	25		20			
t_{su}	Setup time before CLK↑	Data	15		15			ns
		CLR	20		20			
t_h	Hold time after CLK↑	Data	4		4			ns
		CLR	0		0			
T_A	Operating free-air temperature	–55		125	0		70°	°C

electrical characteristics over recommended operating free-air temperature range (unless otherwise noted)

PARAMETER	TEST CONDITIONS	SN54ALS878A SN54ALS879A			SN74ALS878A SN74ALS879A			UNIT
		MIN	TYP†	MAX	MIN	TYP†	MAX	
V_{IK}	$V_{CC} = 4.5 V$, $I_I = -18 mA$			–1.2			–1.2	V
V_{OH}	$V_{CC} = 4.5 V$ to $5.5 V$, $I_{OH} = -0.4 mA$	$V_{CC} - 2$			$V_{CC} - 2$			V
	$V_{CC} = 4.5 V$, $I_{OH} = -1 mA$	2.4	3.3					
	$V_{CC} = 4.5 V$, $I_{OH} = -2.6 mA$				2.4	3.2		
V_{OL}	$V_{CC} = 4.5 V$, $I_{OL} = 12 mA$		0.25	0.4		0.25	0.4	V
	$V_{CC} = 4.5 V$, $I_{OL} = 24 mA$					0.35	0.5	
I_{OZH}	$V_{CC} = 5.5 V$, $V_O = 2.7 V$			20			20	μA
I_{OZL}	$V_{CC} = 5.5 V$, $V_O = 0.4 V$			–20			–20	μA
I_I	$V_{CC} = 5.5 V$, $V_I = 7 V$			0.1			0.1	mA
I_{IH}	$V_{CC} = 5.5 V$, $V_O = 2.7 V$			20			20	μA
I_{IL}	$V_{CC} = 5.5 V$, $V_I = 0.4 V$			–0.2			–0.2	mA
I_{O}^{\ddagger}	$V_{CC} = 5.5 V$, $V_O = 2.25 V$	–30		–112	–30		–112	mA
I_{CC}	$V_{CC} = 5.5 V$	Outputs high	14	23	14	23		mA
		Outputs low	18	31	18	31		
		Outputs disabled	20	33	20	33		

† All typical values are at $V_{CC} = 5 V$, $T_A = 25^\circ C$.

‡ The output conditions have been chosen to produce a current that closely approximates one half of the true short-circuit output current, I_{OS} .



DUAL 4-BIT D-TYPE EDGE-TRIGGERED FLIP-FLOPS WITH 3-STATE OUTPUTS

SDAS062A – D2661, APRIL 1982 – REVISED MAY 1986

switching characteristics (see Note 1)

PARAMETER	FROM (INPUT)	TO (OUTPUT)	$V_{CC} = 5\text{ V}$, $C_L = 50\text{ pF}$, $R_1 = 500\ \Omega$, $R_2 = 500\ \Omega$, $T_A = 25^\circ\text{C}$			$V_{CC} = 4.5\text{ V to }5.5\text{ V}$, $C_L = 50\text{ pF}$, $R_1 = 500\ \Omega$, $R_2 = 500\ \Omega$, $T_A = \text{MIN to MAX}$			UNIT	
			'ALS878A 'ALS879A			SN54ALS878A SN54ALS879A	SN74ALS878A SN74ALS879A			
			MIN	TYP	MAX	MIN	MAX	MIN		MAX
f_{max}	'ALS878A		40	50		25		30	MHz	
	'ALS879A		40	50		20		25		
t_{PLH}	CLK	Q or \bar{Q}		8	10	4	15	4	14	ns
t_{PHL}				9	13	4	17	4	16	
t_{PZH}	\bar{OC}	Q or \bar{Q}		9	13	4	22	4	20	ns
t_{PZL}				11	15	4	22	4	20	
t_{PHZ}	\bar{OC}	Q or \bar{Q}		6	8	2	12	2	10	ns
t_{PLZ}				7	10	3	18	3	15	

NOTE 1: Load circuit and voltage waveforms are shown in Section 1.

SN54AS878, SN54AS879

SN74AS878, SN74AS879

DUAL 4-BIT D-TYPE EDGE-TRIGGERED FLIP-FLOPS WITH 3-STATE OUTPUTS

SDAS062A – D2661, APRIL 1982 – REVISED MAY 1986

absolute maximum ratings over operating free-air temperature range (unless otherwise noted)

Supply voltage, V_{CC}	7 V
Input voltage	7 V
Voltage applied to a disabled 3-state output	5.5 V
Operating free-air temperature range: SN54AS878, SN54AS879	-55°C to 125°C
SN74AS878, SN74AS879	0°C to 70°C
Storage temperature range	-65°C to 150°C

recommended operating conditions

		SN54AS878 SN54AS879			SN74AS878 SN74AS879			UNIT
		MIN	NOM	MAX	MIN	NOM	MAX	
V_{CC}	Supply voltage	4.5	5	5.5	4.5	5	5.5	V
V_{IH}	High-level input voltage	2			2			V
V_{IL}	Low-level input voltage			0.8			0.8	V
I_{OH}	High-level output current			-12			-15	mA
I_{OL}	Low-level output current			32			48	mA
f_{clock}	Clock Frequency	0		100	0		125	MHz
t_w	Pulse duration	CLK low	4		2		ns	
		CLK high	5		4			
t_{su}	Setup time before CLK↑	Data	3		2		ns	
		CLR	6.5		5.5			
t_h	Hold time after CLK↑	Data	3		2		ns	
		CLR	0		0			
T_A	Operating free-air temperature	-55		125	0		70°	°C



DUAL 4-BIT D-TYPE EDGE-TRIGGERED FLIP-FLOPS WITH 3-STATE OUTPUTS

SDAS062A - D2661, APRIL 1982 - REVISED MAY 1986

electrical characteristics over recommended operating free-air temperature range (unless otherwise noted)

PARAMETER	TEST CONDITIONS		SN54AS878			SN74AS878			UNIT	
			SN54AS879			SN74AS879				
			MIN	TYP [‡]	MAX	MIN	TYP [‡]	MAX		
V _{IK}	V _{CC} = 4.5 V,	I _I = -18 mA	-1.2			-1.2			V	
V _{OH}	V _{CC} = 4.5 V to 5.5 V,	I _{OH} = -2 mA	V _{CC} -2			V _{CC} -2			V	
	V _{CC} = 4.5 V,	I _{OH} = -12 mA	2.4 3.2							
	V _{CC} = 4.5 V,	I _{OH} = -15 mA				2.4 3.3				
V _{OL}	V _{CC} = 4.5 V,	I _{OL} = 32 mA	0.29 0.5						V	
	V _{CC} = 4.5 V,	I _{OL} = 48 mA				0.33 0.5				
I _{OZH}	V _{CC} = 5.5 V,	V _O = 2.7 V	50			50			μA	
I _{OZL}	V _{CC} = 5.5 V,	V _O = 0.4 V	-50			-50			μA	
I _I	V _{CC} = 5.5 V,	V _I = 7 V	0.1			0.1			mA	
I _{IH}	V _{CC} = 5.5 V,	V _I = 2.7 V	20			20			μA	
I _{IL}	D	V _{CC} = 5.5 V,	V _I = 0.4 V		-3			-2		mA
	All other				-0.5			-0.5		
I _{O[‡]}	V _{CC} = 5.5 V,	V _O = 2.25 V	-30 -112		-30 -112		mA			
I _{CC}	'AS878	V _{CC} = 5.5 V, See Note 2	Outputs high		82 132		82 132		mA	
			Outputs low		96 155		96 155			
			Outputs disabled		100 160		100 160			
			Outputs high		88 142		88 142			
			Outputs low		94 150		94 150			
			Outputs disabled		100 160		100 160			
I _{CC}	'AS879	V _{CC} = 5.5 V, See Note 2	Outputs high		82 132		82 132		mA	
			Outputs low		96 155		96 155			
			Outputs disabled		100 160		100 160			
			Outputs high		88 142		88 142			
			Outputs low		94 150		94 150			
			Outputs disabled		100 160		100 160			

[†] All typical values are at V_{CC} = 5 V, T_A = 25°C.

[‡] The output conditions have been chosen to produce a current that closely approximates one half of the true short-circuit output current, I_{OS}.

NOTE 2: I_{CC} is measured with CLR and all D inputs grounded, and CLK and OC at 4.5 V.

switching characteristics (see Note 1)

PARAMETER	FROM (INPUT)	TO (OUTPUT)	V _{CC} = 4.5 V to 5.5 V, C _L = 50 pF, R ₁ = 500 Ω, R ₂ = 500 Ω, T _A = MIN to MAX				UNIT
			SN54AS878		SN74AS878		
			SN54AS879	MIN	MAX	SN74AS879	
t _{max}			100		125		MHz
t _{PLH}	CLK	Q or \bar{Q}	3	11.5	3	8.5	ns
t _{PHL}			4	12.5	4	10.5	
t _{PZH}	\overline{OC}	Q or \bar{Q}	2	8	2	7	ns
t _{PZL}			3	11.5	3	10.5	
t _{PHZ}	\overline{OC}	Q or \bar{Q}	2	7	2	6	ns
t _{PLZ}			2	7	2	6	

NOTE 1: Load circuit and voltage waveforms are shown in Section 1.

IMPORTANT NOTICE

Texas Instruments Incorporated and its subsidiaries (TI) reserve the right to make corrections, modifications, enhancements, improvements, and other changes to its products and services at any time and to discontinue any product or service without notice. Customers should obtain the latest relevant information before placing orders and should verify that such information is current and complete. All products are sold subject to TI's terms and conditions of sale supplied at the time of order acknowledgment.

TI warrants performance of its hardware products to the specifications applicable at the time of sale in accordance with TI's standard warranty. Testing and other quality control techniques are used to the extent TI deems necessary to support this warranty. Except where mandated by government requirements, testing of all parameters of each product is not necessarily performed.

TI assumes no liability for applications assistance or customer product design. Customers are responsible for their products and applications using TI components. To minimize the risks associated with customer products and applications, customers should provide adequate design and operating safeguards.

TI does not warrant or represent that any license, either express or implied, is granted under any TI patent right, copyright, mask work right, or other TI intellectual property right relating to any combination, machine, or process in which TI products or services are used. Information published by TI regarding third-party products or services does not constitute a license from TI to use such products or services or a warranty or endorsement thereof. Use of such information may require a license from a third party under the patents or other intellectual property of the third party, or a license from TI under the patents or other intellectual property of TI.

Reproduction of TI information in TI data books or data sheets is permissible only if reproduction is without alteration and is accompanied by all associated warranties, conditions, limitations, and notices. Reproduction of this information with alteration is an unfair and deceptive business practice. TI is not responsible or liable for such altered documentation. Information of third parties may be subject to additional restrictions.

Resale of TI products or services with statements different from or beyond the parameters stated by TI for that product or service voids all express and any implied warranties for the associated TI product or service and is an unfair and deceptive business practice. TI is not responsible or liable for any such statements.

TI products are not authorized for use in safety-critical applications (such as life support) where a failure of the TI product would reasonably be expected to cause severe personal injury or death, unless officers of the parties have executed an agreement specifically governing such use. Buyers represent that they have all necessary expertise in the safety and regulatory ramifications of their applications, and acknowledge and agree that they are solely responsible for all legal, regulatory and safety-related requirements concerning their products and any use of TI products in such safety-critical applications, notwithstanding any applications-related information or support that may be provided by TI. Further, Buyers must fully indemnify TI and its representatives against any damages arising out of the use of TI products in such safety-critical applications.

TI products are neither designed nor intended for use in military/aerospace applications or environments unless the TI products are specifically designated by TI as military-grade or "enhanced plastic." Only products designated by TI as military-grade meet military specifications. Buyers acknowledge and agree that any such use of TI products which TI has not designated as military-grade is solely at the Buyer's risk, and that they are solely responsible for compliance with all legal and regulatory requirements in connection with such use.

TI products are neither designed nor intended for use in automotive applications or environments unless the specific TI products are designated by TI as compliant with ISO/TS 16949 requirements. Buyers acknowledge and agree that, if they use any non-designated products in automotive applications, TI will not be responsible for any failure to meet such requirements.

Following are URLs where you can obtain information on other Texas Instruments products and application solutions:

Products

Amplifiers	amplifier.ti.com
Data Converters	dataconverter.ti.com
DSP	dsp.ti.com
Clocks and Timers	www.ti.com/clocks
Interface	interface.ti.com
Logic	logic.ti.com
Power Mgmt	power.ti.com
Microcontrollers	microcontroller.ti.com
RFID	www.ti-rfid.com
RF/IF and ZigBee® Solutions	www.ti.com/lprf

Applications

Audio	www.ti.com/audio
Automotive	www.ti.com/automotive
Broadband	www.ti.com/broadband
Digital Control	www.ti.com/digitalcontrol
Medical	www.ti.com/medical
Military	www.ti.com/military
Optical Networking	www.ti.com/opticalnetwork
Security	www.ti.com/security
Telephony	www.ti.com/telephony
Video & Imaging	www.ti.com/video
Wireless	www.ti.com/wireless

Mailing Address: Texas Instruments, Post Office Box 655303, Dallas, Texas 75265
Copyright © 2008, Texas Instruments Incorporated