

GD54/74HC02, GD54/74HCT02

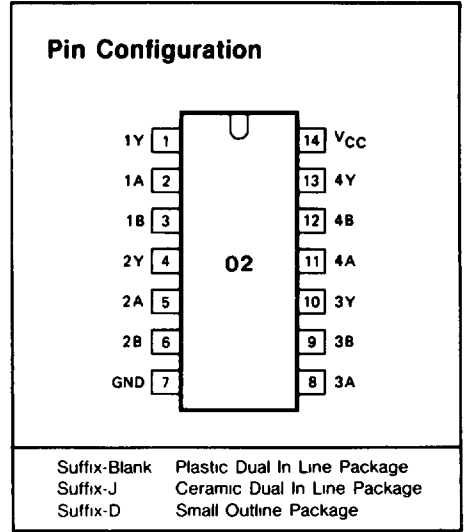
QUAD 2-INPUT NOR GATES

General Description

These devices are identical in pinout to the 54/74LS02. They contain four independent 2-input NOR gates. These devices are characterized for operation over wide temperature ranges to meet industry and military specifications.

Features

- Low Power consumption characteristic of CMOS devices
- Output drive capability: 10 LS TTL Loads Min.
- Operating speed superior to LS TTL
- Wide operating voltage range: for HC 2 to 6 volts
for HCT 4.5 to 5.5 volts
- Low input current: $1\mu\text{A}$ Max.
- Low quiescent current: $20\mu\text{A}$ Max. (74HC)
- High noise immunity characteristic of CMOS
- Diode protection on all inputs



Logic Symbol and Logic Diagram

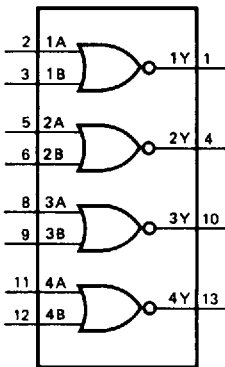


Fig. 1 Logic Symbol

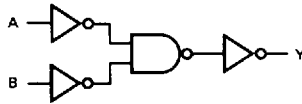


Fig. 2. Logic diagram (one gate)

Function Table

INPUTS		OUTPUT
nA	nB	nY
L	L	H
L	H	L
H	L	L
H	H	L

H=HIGH voltage level
L=LOW voltage level

Absolute Maximum Ratings

SYMBOL	PARAMETER	CONDITIONS	MIN.	MAX.	UNIT
V_{CC}	DC Supply voltage		-0.5	+7	V
I_{IK} I_{OK}	DC input or output diode current	for $V_I < -0.5$ or $V_I > V_{CC} + 0.5V$		20	mA
I_O	DC output source or sink current	for $-0.5V < V_O < V_{CC} + 0.5V$		25	mA
I_{CC}	DC V_{CC} or GND current			50	mA
T_{sig}	Storage temperature range		-65	150	°C
P_D	Power dissipation per package	above +70°C derate linearly with 8mW/K		500	mW
T_L	Lead temperature	At distance 1/16 ± 1/32 in from case for 60 sec(CERAMIC) 10 sec(PLASTIC)		300 260	°C

Recommended Operating Conditions

CHARACTERISTIC	LIMITS		UNITS
	MIN.	MAX.	
Supply-Voltage Range V_{CC} GD54/74HC Types GD54/74HCT Types	2 4.5	6 5.5	V
DC Input or Output Voltage V_I, V_O	0	V_{CC}	V
Operating Temperature T_A GD74 Types GD54 Types	-40 -55	+85 +125	°C
Input Rise and Fall times t_r, t_f GD54/74HC Types at 2V at 4.5V at 6V GD54/74HCT Types at 4.5V		1000 500 400 500	ns

DC Electrical Characteristics for HC

SYMBOL	PARAMETER	TEST CONDITION	V _{CC} (V)	T _A =25°C			GD74HC02		GD54HC02		UNIT
				MIN	TYP	MAX	MIN	MAX	MIN	MAX	
V _{IH}	HIGH level input Voltage		2.0	1.5			1.5		1.5		V
			4.5	3.15			3.15		3.15		
			6.0	4.2			4.2		4.2		
V _{IL}	LOW level input voltage		2.0			0.3		0.3		0.3	V
			4.5			0.9		0.9		0.9	
			6.0			1.2		1.2		1.2	
V _{OH}	HIGH level output voltage	V _{IN} =V _{IH}	I _{OH} =-20μA	2.0	1.9	2.0		1.9		1.9	V
				4.5	4.4	4.5		4.4		4.4	
	6.0	5.9	6.0		5.9		5.9				
	or V _{IL}	I _{OH} =-4mA	4.5	3.98	4.3		3.84		3.7		
			6.0	5.48	5.2		5.34		5.2		
	LOW level output voltage	V _{IN} =V _{IH}	I _{OL} =20μA	2.0			0.1		0.1		
4.5						0.1		0.1		0.1	
6.0			0.1		0.1		0.1		0.1		
or V _{IL}	I _{OL} =4mA	4.5		0.17	0.26		0.33		0.4		
		6.0		0.15	0.26		0.33		0.4		
I _{IN}	Input leakage Current	V _{IN} =V _{CC} or GND	6.0			0.1		1.0		1.0	μA
I _{CC}	Quiescent Supply Current	V _{IN} =V _{CC} or GND I _{out} =0μA	6.0			2		20		40	μA

DC Electrical Characteristics for HCT

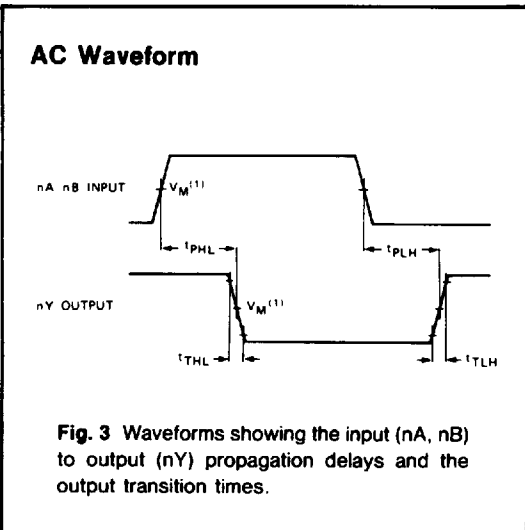
SYMBOL	PARAMETER	TEST CONDITION	V _{CC} (V)	T _A =25°C			GD74HCT02		GD54HCT02		UNIT	
				MIN	TYP	MAX	MIN	MAX	MIN	MAX		
V _{IH}	HIGH level input Voltage		4.5								V	
			to	2.0			2.0		2.0			
			5.5									
V _{IL}	LOW level input voltage		4.5								V	
			to			0.8		0.8		0.8		
			5.5									
V _{OH}	HIGH level output voltage	V _{IN} =V _{IH}	I _{OH} =-20μA	4.5	4.4	4.5		4.4		4.4	V	
				4.5	3.98	4.3		3.84		3.7		
	or V _{IL}	I _{OH} =-4mA	4.5	3.98	4.3		3.84		3.7			
			4.5	3.98	4.3		3.84		3.7			
	LOW level output voltage	V _{IN} =V _{IH}	I _{OL} =20μA	4.5			0.1		0.1			0.1
				4.5			0.1		0.1			0.1
or V _{IL}	I _{OL} =4mA	4.5		0.17	0.26		0.33		0.4			
		4.5		0.17	0.26		0.33		0.4			
I _{IN}	Input leakage Current	V _{IN} =V _{CC} or GND	5.5			0.1		1.0		1.0	μA	
I _{CC}	Quiescent Supply Current	V _{IN} =V _{CC} or GND I _{out} =0μA	5.5			2		20		40	μA	

AC Characteristics for HC: $t_r=t_f=6ns$ $C_L=50pF$

SYMBOL	PARAMETER	V_{CC} (V)	$T_A=25^\circ C$			GD74HC02		GD54HC02		UNIT
			MIN.	TYP.	MAX.	MIN.	MAX.	MIN.	MAX.	
$t_{PLH}/$ t_{PHL}	Propagation delay time nA, nB to nY	2.0 4.5 6.0		30 10 8	90 18 15		110 22 20		130 26 23	ns
$t_{TLH}/$ t_{THL}	Output transition time	2.0 4.5 6.0		25 8 7	70 15 13		85 18 16		100 22 19	ns

AC Characteristics for HCT: $t_r=t_f=6ns$ $C_L=50pF$

SYMBOL	PARAMETER	V_{CC} (V)	$T_A=25^\circ C$			GD74HCT02		GD54HCT02		UNIT
			MIN.	TYP.	MAX.	MIN.	MAX.	MIN.	MAX.	
$t_{PLH}/$ t_{PHL}	Propagation delay time nA, nB, to nY	4.5		12	19		24		29	ns
$t_{TLH}/$ t_{THL}	Output transition time	4.5		8	15		19		22	ns



Note to AC waveform

- (1) HC $V_M=50\%$ $V_I=GND$ to V_{CC}
- HCT $V_M=1.3V$, $V_I=GND$ to $3V$