

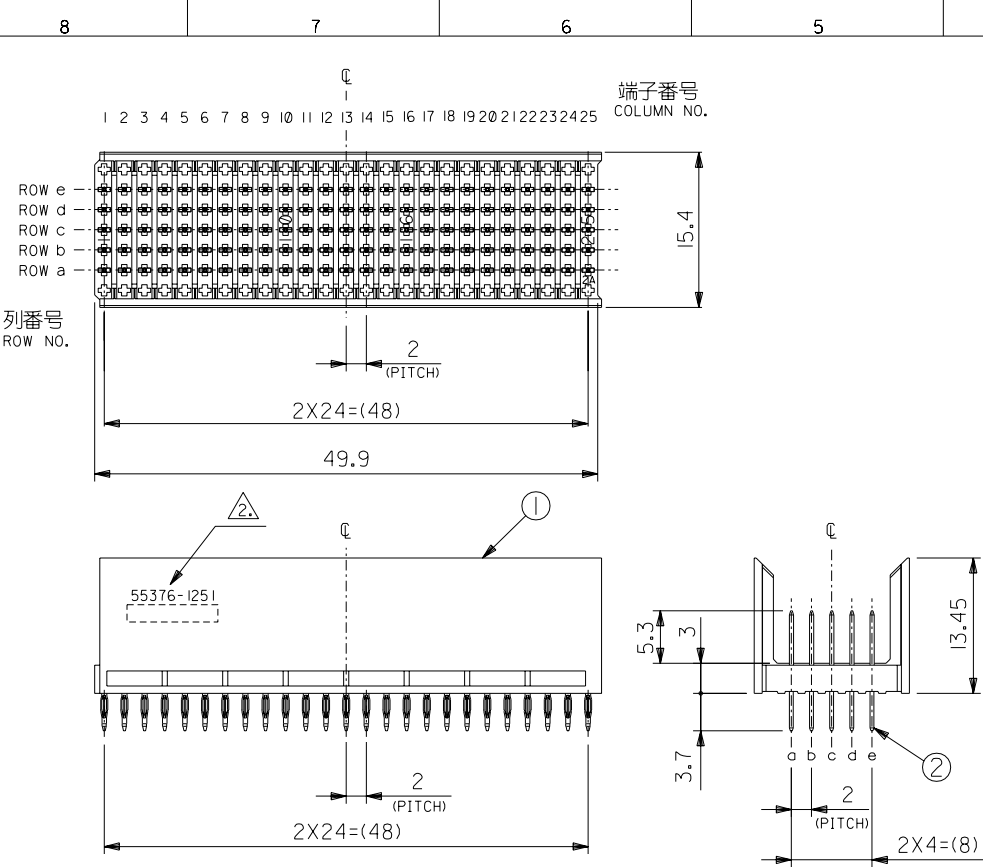
注記  
NOTES

1. スティック両端はテープ止め。  
BOTH ENDS WITH TAPES.
  2. 全長：600±2  
TOTAL LENGTH: 600±2
  3. 肉厚：0.8±0.2  
THICKNESS: 0.8±0.2
- △ 表参照。  
REFER TO TABLE.

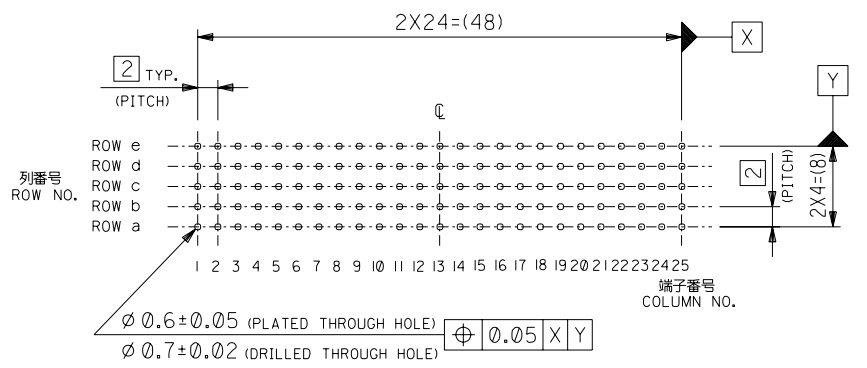
II	55376-175I	55376-1759	175
II	55376-125I	55376-1259	125
梱包数 QUANTITY	CONNECTOR	MATERIAL NO.	極数 PIN

EC NO. DRWN: CHK: APPR:	REVISED EC NO. J2002-1416 DRWN: S.ANDO '01/2/07 CHK: A.NODA '01/2/07 APPR: A.NODA '01/2/07	REVISED EC NO. JD2000-1219 DRWN: S.ANDO '00/06/08 CHK: A.NODA '00/06/08 APPR: H.IKESUGI '00/06/08	REVISED EC NO. JD2000-1029 DRWN: S.ANDO '00/04/06 CHK: A.NODA '00/04/06 APPR: H.IKESUGI '00/04/06	RELEASED EC NO. JD91181 DRWN: S.ANDO '99/02/25 CHK: A.NODA '99/02/25 APPR: H.IKESUGI '99/02/25	DESCRIPTION	MATERIAL 材料 スティック：ポリ塩化ビニル STICK: PVC	GENERAL TOLERANCES: (UNLESS SPECIFIED) 一般公差	SCALE 5-1	DESIGN UNITS mm INCH	THIRD ANGLE PROJECTION	DIMENSIONS: mm INCH mm ONLY	SHT REV
C	B	A	0				10 UNDER 未満 ±0.2	30 UNDER 未満 ±0.25	30 OVER 以上 ±0.3	ANGLE 角度 ±3°		
					FINISH 仕上げ	—						
					WIRE RANGE 適用電線範囲	—						
					INS. RANGE 被覆外径	—						
DRAWN BY & DATE <i>S. Ando</i> '99/02/25											TITLE: "MZP" B/B CONN. PLUG STRAIGHT ASS'Y TYPE B SHORT TAIL STICK PACKAGING FOR 55376-125I/175I	
CHECKED BY & DATE <i>A. Noda</i> '99/02/25											MOLEX INCORPORATED	
APPROVED BY & DATE <i>H. Ikessugi</i> '99/02/25											MATERIAL NO. SEE TABLE	
CAD FILENAME 55376011.S01											DRAWING NO. SD-55376-011	
THIS DRAWING CONTAINS INFORMATION THAT IS PROPRIETARY TO MOLEX INCORPORATED AND SHOULD NOT BE USED WITHOUT WRITTEN PERMISSION.											SHEET NO. 1 OF 1	
											SIZE B	

DWG. NO. SD-55376-013



番号 NO.	部品 PART NAME	材質 MATERIAL	仕上げ FINISH
①	プラグ ハウジング PLUG HOUSING	ポリエステル, ガラス充填, 灰色, UL94V-0 PBT GLASS FILLED, GRAY, UL94V-0	—
②	プラグ ピン PLUG PIN	リン青銅 PHOSPHOR BRONZE	△



基板穴推奨寸法 (バックプレーン側)  
**RECOMMENDED P.C.B. LAYOUT (BACKPLANE)**  
 推奨基板厚: 1.4~5.6mm  
 RECOMMENDED P.C.B. THICKNESS: 1.4~5.6mm

- 注記 NOTES**
- △ ターミナルめっき仕様  
TERMINAL PLATING  
接点部: 金めっき 0.8 μm MIN.  
CONTACT AREA : GOLD 0.8 μm MIN.  
下地: ニッケルめっき 1.3 μm MIN.  
UNDER PLATING : NICKEL 1.3 μm MIN.
  - △ 製品番号及びロットナンバー  
MATERIAL NO. & LOT NO.

3. コネクタはスティック梱包とする。  
CONNECTOR IS STICK PACKAGING.  
SD-55376-011 を参照のこと。  
REFER TO SD-55376-011.

55376-1259	55376-1251	125
STICK PACKAGING	MATERIAL NO.	極致 PIN
DIMENSIONS:		SHT REV
<input type="checkbox"/> mm <input type="checkbox"/> INCH <input type="checkbox"/> mm <input type="checkbox"/> mm		<input type="checkbox"/> ONLY REVISE ON CAD ONLY

DO NOT SCALE DRAWING	EC NO.	REVISED	MATERIAL 材料	GENERAL TOLERANCES: (UNLESS SPECIFIED) 一般公差	SCALE 2-1	DESIGN UNITS <input checked="" type="checkbox"/> mm <input type="checkbox"/> INCH	THIRD ANGLE PROJECTION <input checked="" type="checkbox"/> <input type="checkbox"/>	TITLE: "MZP" B/B CONN. PLUG STRAIGHT ASS'Y TYPE B (5 ROW)
	DRWN: S.A.NDO 02/03/13	EC NO. J2002-2320			FINISH 仕上げ	DRAWN BY & DATE S. Ando '99/12/14	CHECKED BY & DATE A. Noda '99/12/14	
CH'K: A.NODA 02/03/13	DRWN: S.A.NDO 01/2/07	EC NO. J2002-1416	—	10 UNDER 未満 ±0.2	10 OVER 以上 ±0.25	30 UNDER 未満 ±0.3	30 OVER 以上 ±0.3	MOLEX INCORPORATED
APPR: A.NODA 02/03/13	CH'K: A.NODA 01/2/07	DRWN: S.A.NDO 99/12/14	—	WIRE RANGE 適用 規格 範囲	ANGLE 角度 ±3°	THIS DRAWING CONTAINS INFORMATION THAT IS PROPRIETARY TO MOLEX INCORPORATED AND SHOULD NOT BE USED WITHOUT WRITTEN PERMISSION.		
EC NO. J2002-1416	RELEASED	EC NO. JD2000-0574	—	INS. RANGE 被覆 外径	MATERIAL NO. SD-55376-013.S01			
DRWN: S.A.NDO 01/2/07	EC NO. J2002-1416	DRWN: S.A.NDO 99/12/14	—	DRAWING NO. SD-55376-013				
CH'K: A.NODA 01/2/07	EC NO. J2002-1416	CH'K: A.NODA 99/12/14	—	SHEET NO. 1 OF 1				
APPR: A.NODA 01/2/07	EC NO. J2002-1416	APPR: H.IKESUGI 99/12/14	—	SIZE B				

SD-55376-013.S01