

SPECIFICATIONS

Friction Header Connector

Mechanical

Contact Retention Force: 0.91KGF Min
Durability: 500 Cycles

HF24 Series

Friction T/H Type

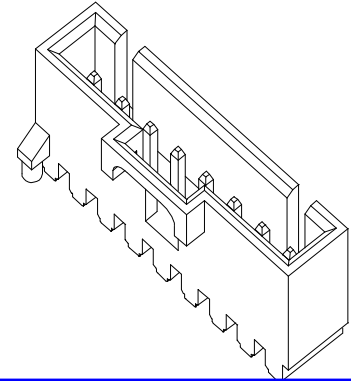
2.54mm [.100"] Pitch

Electrical

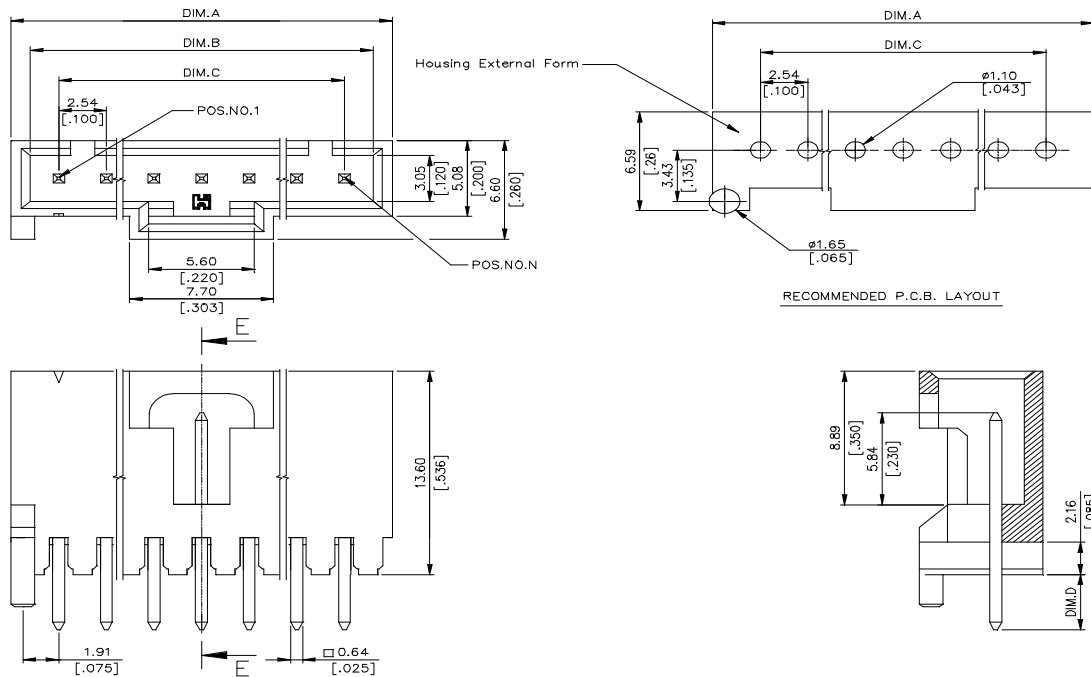
Voltage Rating: 250V
Current Rating: 3.0A per pin min
Insulation Resistance: 1000MW min

Physical

Housing: Thermoplastic, Glass Filled, UL94V-0 Rating
Contact: Copper Alloy
Plating: See "ORDERING INFORMATION"
Operating Temperature: -40 to +105



DRAWING



ORDERING INFORMATION

PRODUCT NO.: HF24***-***

Header ————
 High Friction Header ————
 Termination & Contact Type ————
 No. Of Pos ————
 4=4 Pos
 Optional For Plating ————
 0=100u" Tin/Lead
 E=100u" min. Tin with
 Lead free "RoHS Compliance"

Optional For Modification Code
 NONE: No Guide Post, DIM. D=3.30
 P1: One Guide Post, DIM. D=3.30
 C1: One Guide Post, DIM. D=2.30
 Optional For Housing Color
 NONE:Black
 N:Ivory
 G:Green
 U:Blue
 Y:Yellow
 A:Gray

HF2405*-***	5	15.29 [.602]	13.21 [.520]	10.16 [.400]
HF2404*-***	4	12.75 [.502]	10.67 [.420]	7.62 [.300]
P/N	POS	DIM. A	DIM. B	DIM. C