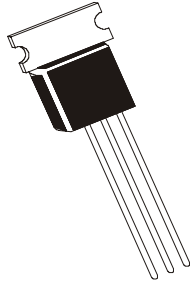


NPN SILICON PLANAR TRANSISTORS

**CSC1573
CSC1573A
TO-237
BCE**



**High Voltage General Amplifier
CSC1573 is Complementary of CSA879**

ABSOLUTE MAXIMUM RATINGS(Ta=25deg C)

DESCRIPTION	SYMBOL	CSC1573	CSC1573A	UNIT
Collector -Base Voltage	VCBO	250	300	V
Collector -Emitter Voltage	VCEO	250	300	V
Emitter Base Voltage	VEBO	5.0	7.0	V
Collector Current Continuous	IC		70	mA
Peak	ICP		100	mA
Collector Power Dissipation	PC*		1.0	W
Operating And Storage Junction Temperature Range	Tj, Tstg	-55 to +150		deg C

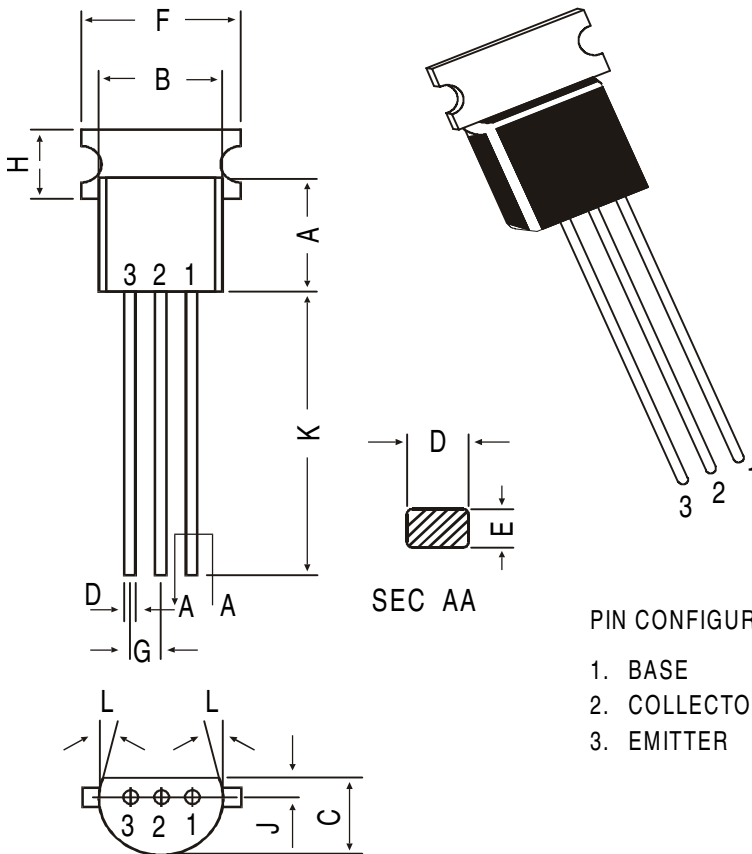
*PC=750mW/Potting type:-PC=750mW

ELECTRICAL CHARACTERISTICS (Ta=25 deg C Unless Otherwise Specified)

DESCRIPTION	SYMBOL	TEST CONDITION	MIN	MAX	UNIT	
Collector -Emitter Voltage	VCEO	IC=100uA, IB=0				
			CSC1573	200	-	V
			CSC1573A	300	-	V
Emitter-Base Voltage	VEBO	IE=1uA, IC=0				
			CSC1573	5.0	-	V
			CSC1573A	7.0	-	V
Collector Cut off Current	ICBO	VCB=200V, IE=0	-	2.0	uA	
DC Current Gain	hFE*	IC=5mA, VCE=10V	30	220		
Collector Emitter Saturation Voltage	VCE(Sat)	IC=50mA, IB=5mA	-	1.2	V	
Dynamic Characteristics						
Output Capacitance	Cob	VCB=10V, f=1MHz				
			CSC1573	-	10	pF
			CSC1573A	-	8.0	pF
Gain Bandwidth Product	ft	VCE=10V, IC=10mA,	50	-	MHz	

CLASSIFICATION	P	Q	R
hFE *	30-100	60-150	100-220

TO-237 Plastic Package



All dimensions in mm.

DIM	MIN.	MAX.
A	4.32	5.33
B	4.45	5.20
C	3.18	4.19
D	0.41	0.55
E	0.35	0.50
F	—	5.40
G	1.14	1.40
H	—	2.54
K	12.70	—
L	5 DEG	
J	1.14	1.53

PIN CONFIGURATION

1. BASE
2. COLLECTOR
3. EMITTER

Packing Detail

PACKAGE	STANDARD PACK		INNER CARTON BOX		OUTER CARTON BOX		
	Details	Net Weight/Qty	Size	Qty	Size	Qty	Gr Wt
TO-237 Bulk	1K/polybag	240 gm/1K pcs	3" x 7.5" x 7.5"	5.0K	17" x 15" x 13.5"	80.0K	26.2 kgs
TO-237 T&A	2K/ammo box	725 gm/2K pcs	12.5" x 8" x 1.8"	2.0K	17" x 15" x 13.5"	32.0K	13.8 kgs

Disclaimer

The product information and the selection guides facilitate selection of the CDIL's Discrete Semiconductor Device(s) best suited for application in your product(s) as per your requirement. It is recommended that you completely review our Data Sheet(s) so as to confirm that the Device(s) meet functionality parameters for your application. The information furnished on the CDIL Web Site/CD is believed to be accurate and reliable. CDIL however, does not assume responsibility for inaccuracies or incomplete information. Furthermore, CDIL does not assume liability whatsoever, arising out of the application or use of any CDIL product; neither does it convey any license under its patent rights nor rights of others. These products are not designed for use in life saving/support appliances or systems. CDIL customers selling these products (either as individual Discrete Semiconductor Devices or incorporated in their end products), in any life saving/support appliances or systems or applications do so at their own risk and CDIL will not be responsible for any damages resulting from such sale(s).

CDIL strives for continuous improvement and reserves the right to change the specifications of its products without prior notice.



CDIL is a registered Trademark of

Continental Device India Limited

C-120 Naraina Industrial Area, New Delhi 110 028, India.
 Telephone + 91-11-579 6150 Fax + 91-11-579 9569, 579 5290
 e-mail sales@cdil.com www.cdil.com