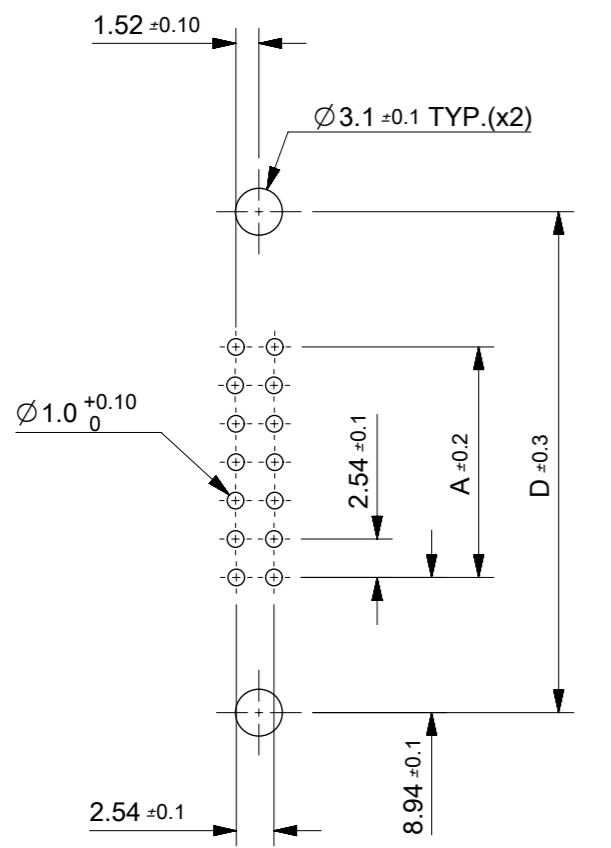


- NOTES:
1. FOR MATERIAL SPECIFICATION SEE NOTE 1. ON SHEET 2.
 2. FOR RECOMMENDED P.C.B. HOLE PATTERN, PART NO'S AND UNSTATED DIMENSIONS SEE SHEET 2.
 3. PRODUCT SPEC. NO: PS-99020-0015
 4. THIS RIB IS NOT PRESENT ON 10 & 14 CKT PARTS.

THIS DRAWING CONTAINS INFORMATION THAT IS PROPRIETARY TO MOLEX ELECTRONIC TECHNOLOGIES, LLC AND SHOULD NOT BE USED WITHOUT WRITTEN PERMISSION											
DIMENSION UNITS		SCALE		CURRENT REV DESC: OBSOLETE PART NO.							
mm		2:1		<div style="text-align: center;">molex</div> <p>QF50 SRD HDR VT W/ELV</p> <p>PRODUCT CUSTOMER DRAWING</p>							
GENERAL TOLERANCES (UNLESS SPECIFIED)											
ANGULAR TOL ± 2.0°											
4 PLACES ±											
3 PLACES ±											
2 PLACES ± 0.2											
1 PLACE ± 0.2				EC NO: 631031		2019/12/23		<p>DOCUMENT NUMBER</p> <p>SDA-90663E</p>			
0 PLACES ±				DRWN: RPRABHUM		2020/02/06				DOC TYPE	DOC PART
DRAFT WHERE APPLICABLE MUST REMAIN WITHIN DIMENSIONS				THIRD ANGLE PROJECTION		DRAWING		SERIES		MATERIAL NUMBER	
				A3-SIZE		90663		CUSTOMER		SEE CHART	
								GENERAL MARKET		SHEET NUMBER	
										1 OF 6	

78.74	86.34	90.52	96.62	100.74	90663-1641	90663-1642	64
73.66	81.26	85.44	91.54	95.66	↑ -1601	↑ -1602	60
60.96	68.56	72.74	78.84	82.96	↑ -1501	↑ -1502	50
48.26	55.86	60.04	66.14	70.26	↑ -1401	↑ -1402	40
40.64	48.24	52.42	58.52	62.64	↑ -1341	↑ -1342	34
35.56	43.16	47.34	53.44	57.56	↑ -1301	↑ -1302	30
30.48	38.08	42.26	48.36	52.48	↑ -1261	↑ -1262	26
22.86	30.46	34.64	40.74	44.86	↑ -1201	↑ -1202	20
17.78	25.38	29.56	35.66	39.78	↓ -1161	↓ -1162	16
15.24	22.84	27.02	33.12	37.24	↓ -1141	↓ -1142	14
10.16	17.76	21.94	28.04	32.16	90663-1101	90663-1102	10
A	B	C	D	E	ENG. NO. GS1 PLATING	ENG. NO. GS2 PLATING	NO. OF CKTS

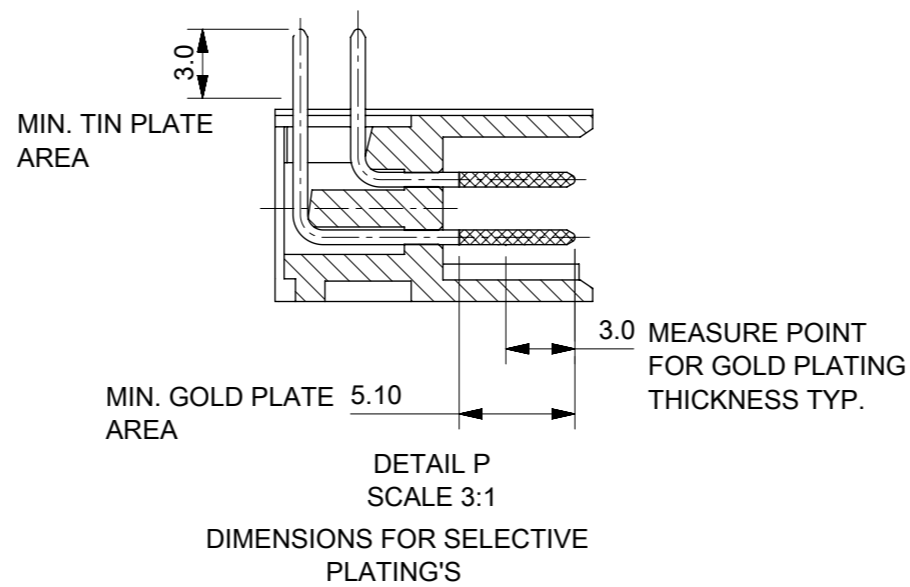
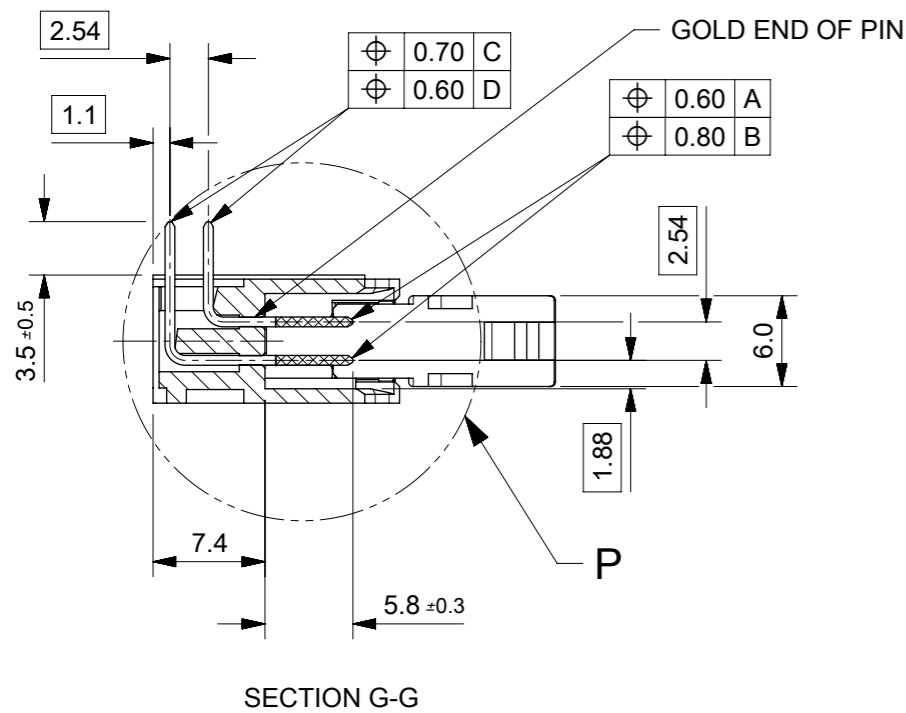
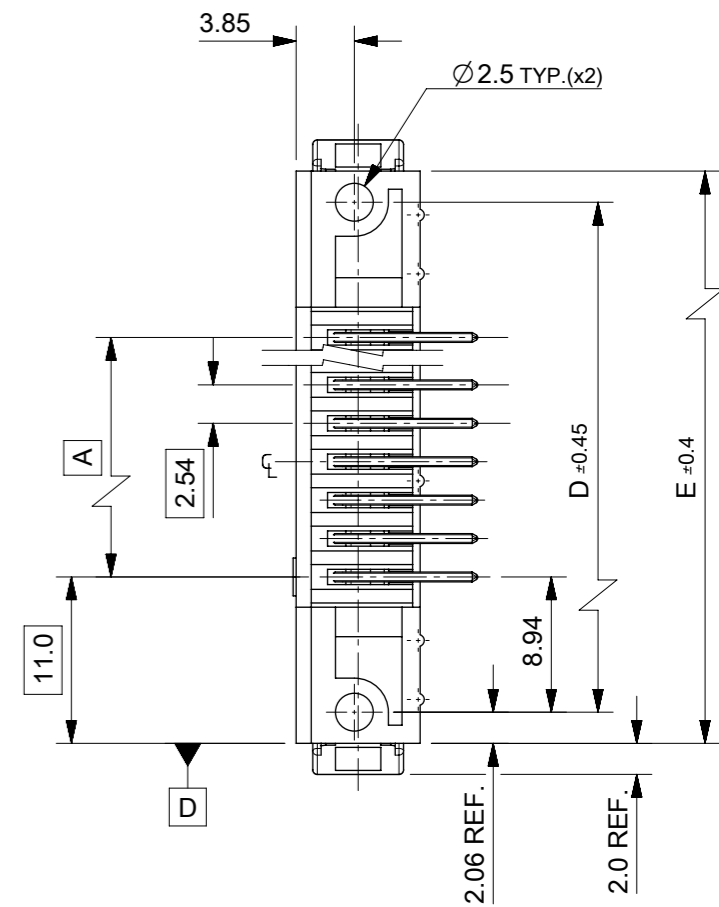
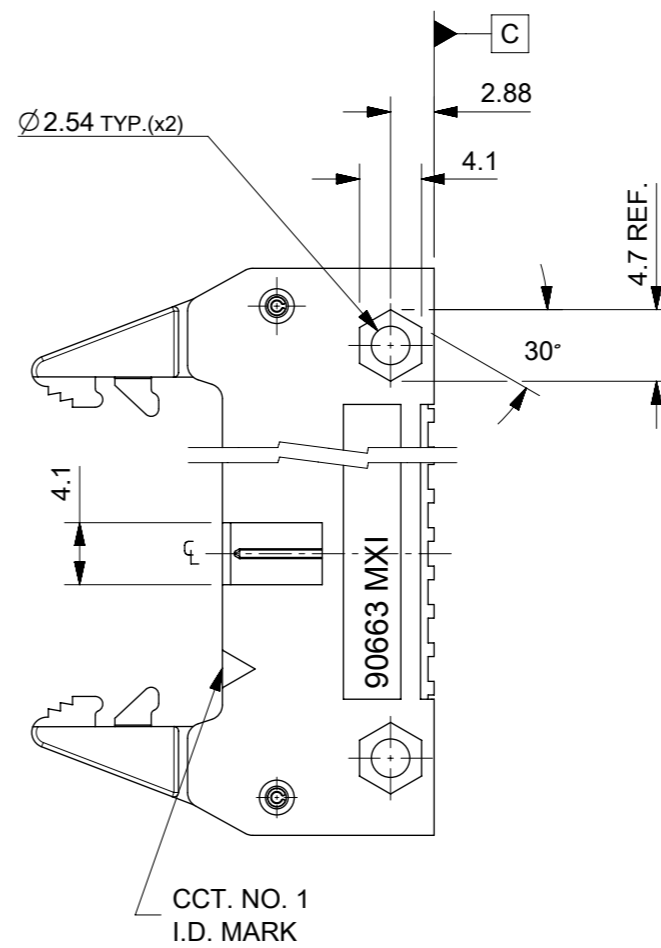
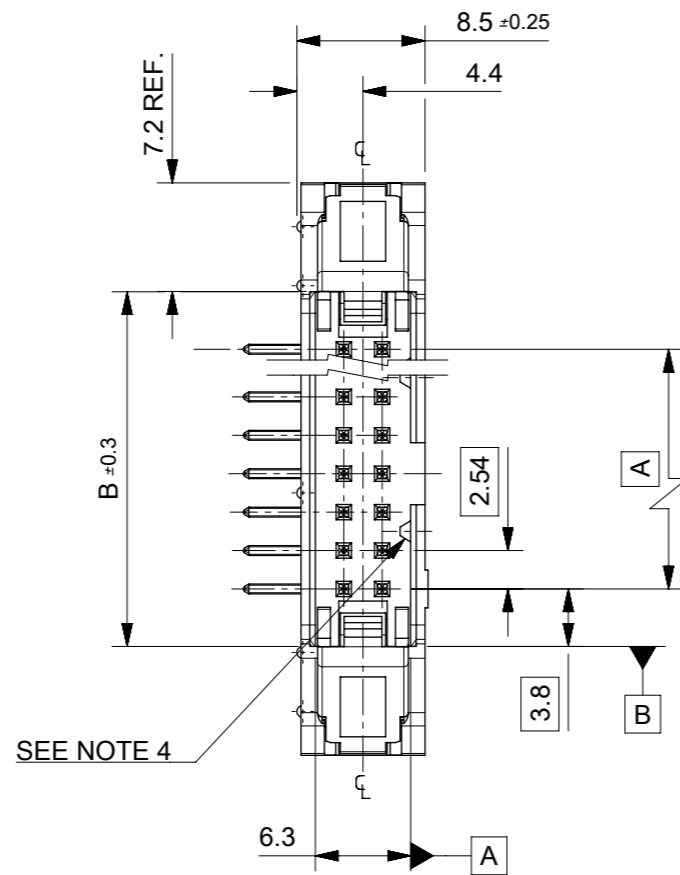
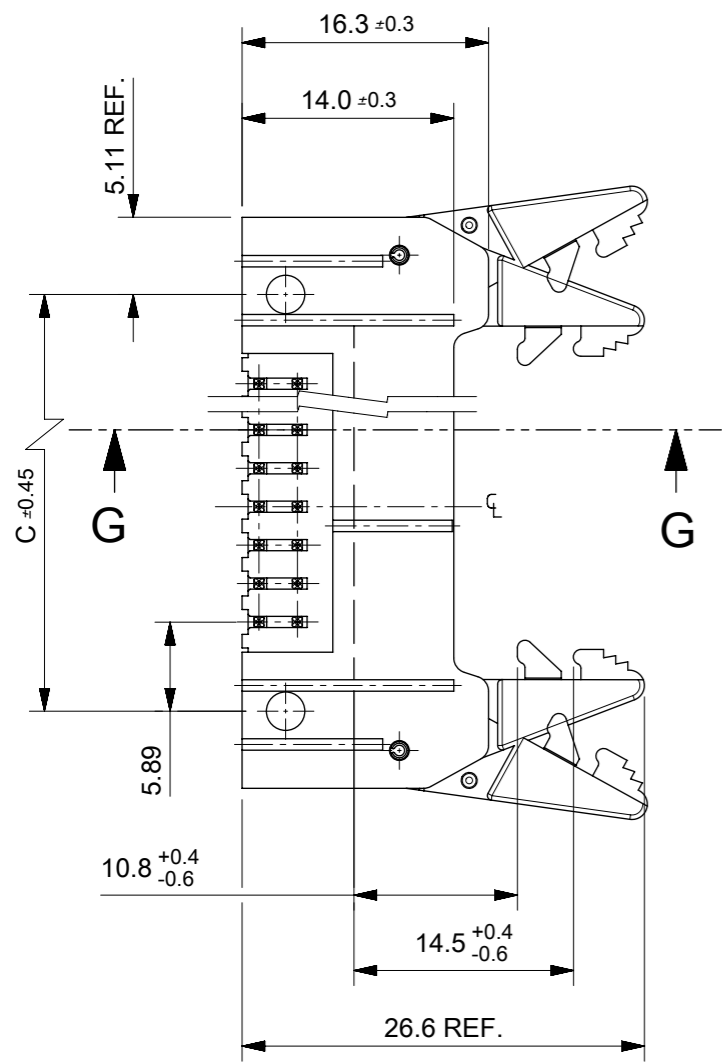


RECOMMENDED P.C.B. HOLE PATTERN

NOTES:

- MATERIAL: GLASS FILLED POLYESTER (UL 94 V0), COLOUR-BLACK.
PINS: BRASS SIZE 0.635.
LEVER: GLASS FILLED POLYESTER(UL 94 V0), COLOUR-BLACK.
- PLATING OPTIONS.
90663-1**1, 1µm MIN. NICKEL UNDERPLATE. CONTACT AREA GS1 PLATING 0.1µ MIN. GOLD. SOLDER AREA 3µm MIN.TIN.
90663-1**2, 1µm MIN. NICKEL UNDERPLATE. CONTACT AREA GS2 PLATING 0.76µ MIN. GOLD. SOLDER AREA 3µm MIN.TIN.
90663-1**3, 1µm MIN. NICKEL UNDERPLATE. CONTACT AREA GS3 PLATING 0.25µ MIN. GOLD. SOLDER AREA 3µm MIN.TIN.
- RECOMMENDED PCB THICKNESS 1.6mm

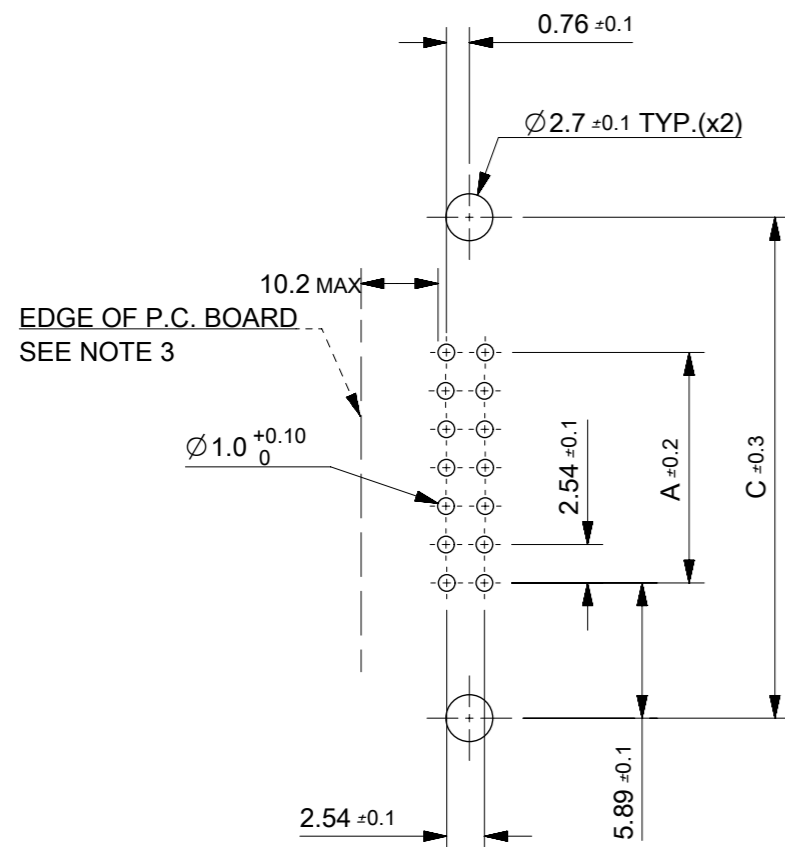
THIS DRAWING CONTAINS INFORMATION THAT IS PROPRIETARY TO MOLEX ELECTRONIC TECHNOLOGIES, LLC AND SHOULD NOT BE USED WITHOUT WRITTEN PERMISSION									
DIMENSION UNITS	SCALE	CURRENT REV DESC: OBSOLETE PART NO.							
mm	2:1								
GENERAL TOLERANCES (UNLESS SPECIFIED)		EC NO: 631031			QF50 SRD HDR VT W/ELV				
ANGULAR TOL	± 2.0°	DRWN: RPRABHUM 2019/12/23			PRODUCT CUSTOMER DRAWING				
4 PLACES	±	CHK'D: GGA 2020/02/06			DOCUMENT NUMBER				
3 PLACES	±	APPR: GGA 2020/02/06			SDA-90663E				
2 PLACES	± 0.2	INITIAL REVISION:			DOC TYPE				
1 PLACE	± 0.2	DRWN: POB 1990/08/03			PSD				
0 PLACES	±	APPR: JDENNEHY 2004/11/24			DOC PART				
DRAFT WHERE APPLICABLE MUST REMAIN WITHIN DIMENSIONS		THIRD ANGLE PROJECTION	DRAWING	SERIES	MATERIAL NUMBER	CUSTOMER	REVISION		
			A3-SIZE	90663	SEE CHART	GENERAL MARKET	001	L	2 OF 6



- NOTES:
1. FOR MATERIAL SPECIFICATION SEE NOTE 1. ON SHEET 4.
 2. FOR RECOMMENDED P.C.B. HOLE PATTERN, PART NO'S AND UNSTATED DIMENSIONS SEE SHEET 4.
 3. PRODUCT SPEC. NO: PS-99020-0015
 4. THIS RIB IS NOT PRESENT ON 10 & 14 CKT PARTS.

THIS DRAWING CONTAINS INFORMATION THAT IS PROPRIETARY TO MOLEX ELECTRONIC TECHNOLOGIES, LLC AND SHOULD NOT BE USED WITHOUT WRITTEN PERMISSION									
DIMENSION UNITS	SCALE	CURRENT REV DESC: OBSOLETE PART NO.							
mm	2:1								
GENERAL TOLERANCES (UNLESS SPECIFIED)									
ANGULAR TOL	± 2.0°	QF50 SRD HDR VT W/ELV							
4 PLACES	±	EC NO: 631031 DRWN: RPRABHUM 2019/12/23 CHK'D: GGA 2020/02/06 APPR: GGA 2020/02/06							
3 PLACES	±	PRODUCT CUSTOMER DRAWING							
2 PLACES	± 0.2	INITIAL REVISION:							
1 PLACE	± 0.2	DRWN: POB 1990/08/03 APPR: JDENNEHY 2004/11/24							
0 PLACES	±	DOCUMENT NUMBER: SDA-90663E DOC TYPE: PSD DOC PART: 001 REVISION: L							
DRAFT WHERE APPLICABLE MUST REMAIN WITHIN DIMENSIONS	THIRD ANGLE PROJECTION	DRAWING	SERIES	MATERIAL NUMBER	CUSTOMER	SHEET NUMBER			
		A3-SIZE	90663	SEE CHART	GENERAL MARKET	3 OF 6			

78.74	86.34	90.52	96.62	100.74	90663-3641	90663-3642	64
73.66	81.26	85.44	91.54	95.66	↑ -3601	↑ -3602	60
60.96	68.56	72.74	78.84	82.96	↑ -3501	↑ -3502	50
48.26	55.86	60.04	66.14	70.26	↑ -3401	↑ -3402	40
40.64	48.24	52.42	58.52	62.64	↑ -3341	↑ -3342	34
35.56	43.16	47.34	53.44	57.56	↑ -3301	↑ -3302	30
30.48	38.08	42.26	48.36	52.48	↑ -3261	↑ -3262	26
22.86	30.46	34.64	40.74	44.86	↑ -3201	↑ -3202	20
17.78	25.38	29.56	35.66	39.78	↓ -3161	↓ -3162	16
15.24	22.84	27.02	33.12	37.24	↓ -3141	↓ -3142	14
10.16	17.76	21.94	28.04	32.16	90663-3101	90663-3102	10
A	B	C	D	E	ENG. NO. GS1 PLATING	ENG. NO. GS2 PLATING	NO. OF CKTS

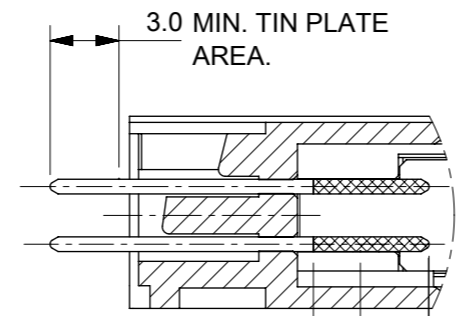
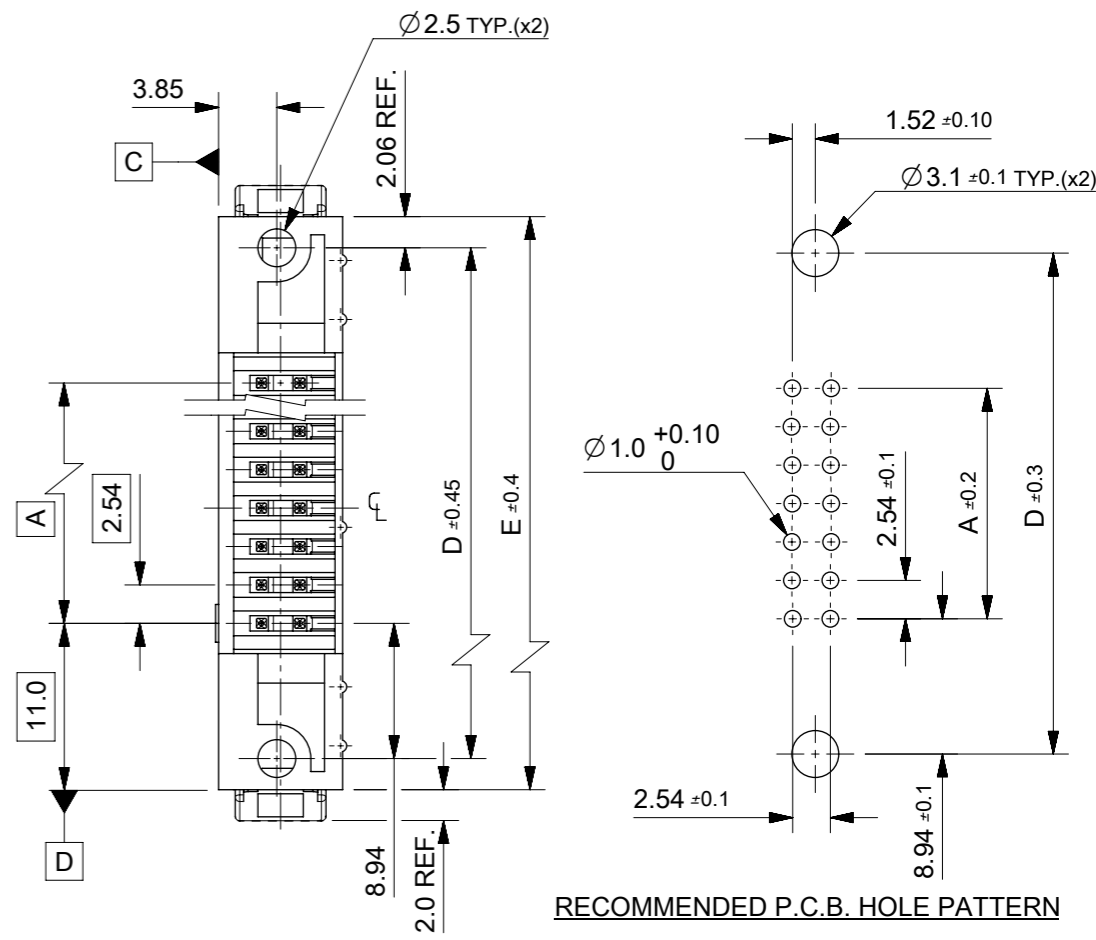
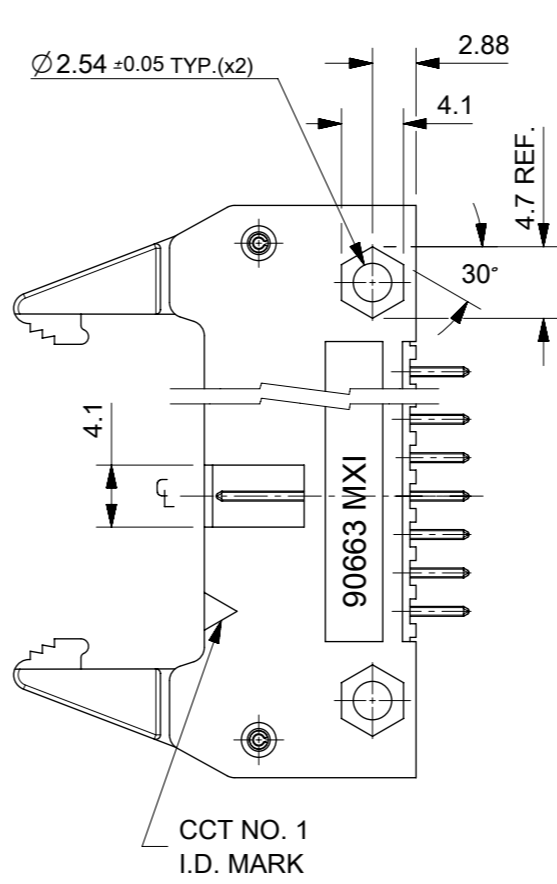
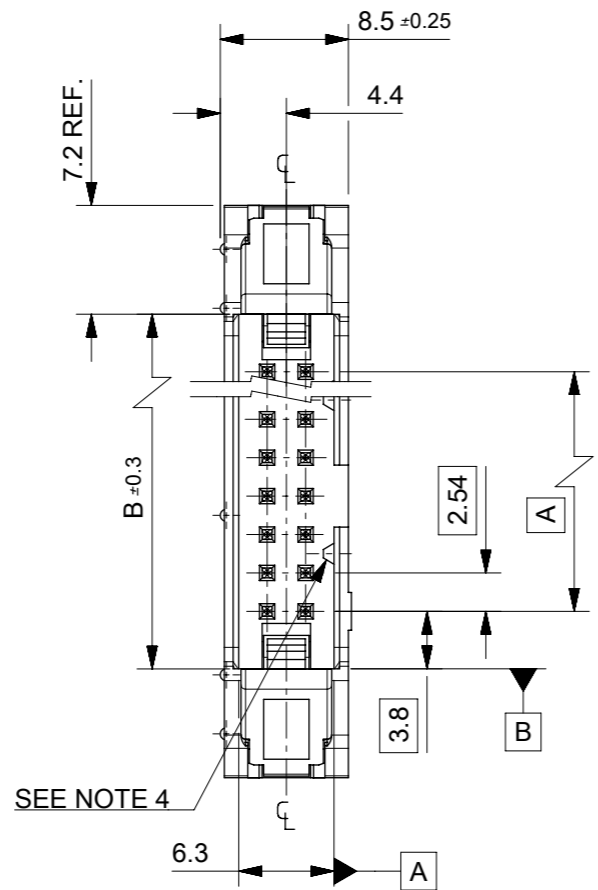
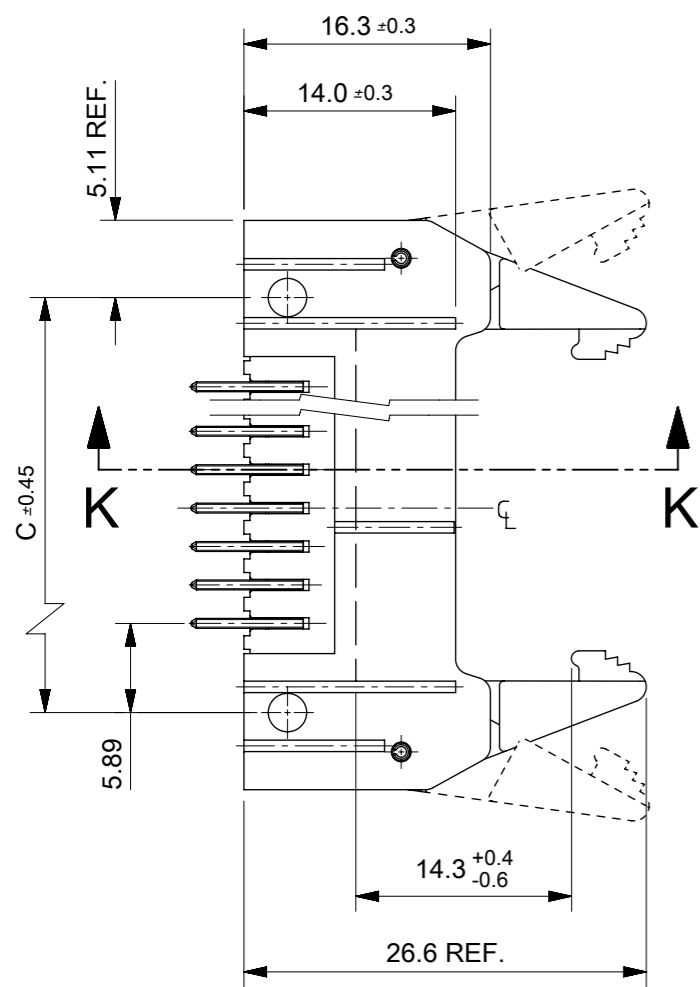


RECOMMENDED P.C.B. HOLE PATTERN

NOTES:

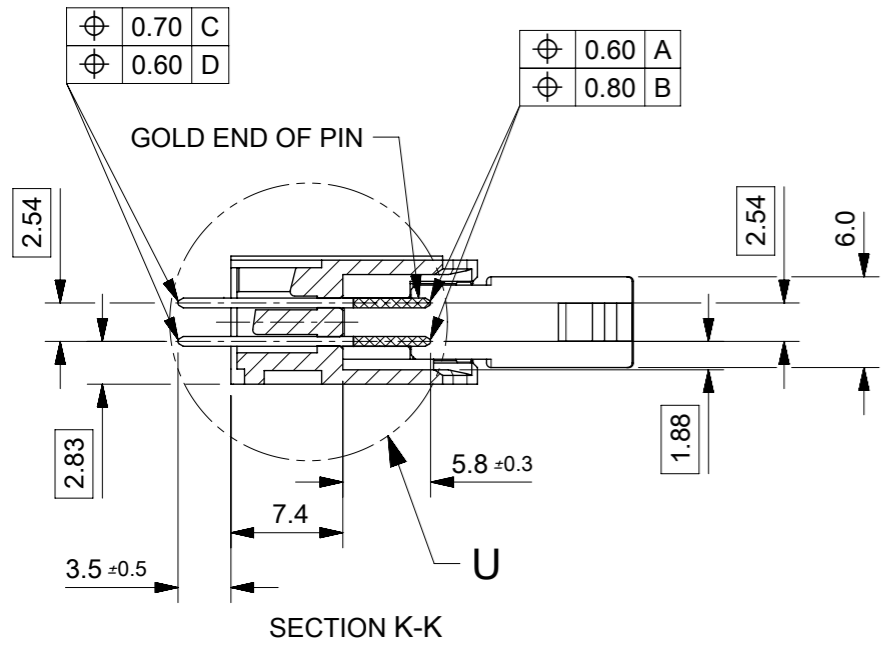
- MATERIAL: GLASS FILLED POLYESTER (UL 94 V0), COLOUR-BLACK.
PINS: BRASS SIZE 0.635.
LEVER: GLASS FILLED POLYESTER (UL 94 V0), COLOUR-BLACK.
SPRING PIN: STEEL
- PLATING OPTIONS.
90663-3**1, 1µm MIN. NICKEL UNDERPLATE. CONTACT AREA GS1 PLATING 0.1µ MIN. GOLD. SOLDER AREA 3µm MIN.TIN.
90663-3**2, 1µm MIN. NICKEL UNDERPLATE. CONTACT AREA GS2 PLATING 0.76µ MIN. GOLD. SOLDER AREA 3µm MIN.TIN.
90663-3**3, 1µm MIN. NICKEL UNDERPLATE. CONTACT AREA GS3 PLATING 0.25µ MIN. GOLD. SOLDER AREA 3µm MIN.TIN.
- 10.2mm MAX. TO EDGE OF PCB DAISY CHAIN APPLICATIONS
- RECOMMENDED PCB THICKNESS 1.6mm

THIS DRAWING CONTAINS INFORMATION THAT IS PROPRIETARY TO MOLEX ELECTRONIC TECHNOLOGIES, LLC AND SHOULD NOT BE USED WITHOUT WRITTEN PERMISSION										
DIMENSION UNITS	SCALE	CURRENT REV DESC: OBSOLETE PART NO.								
mm	2:1									
GENERAL TOLERANCES (UNLESS SPECIFIED)		EC NO: 631031			QF50 SRD HDR VT W/ELV					
ANGULAR TOL	± 2.0°	DRWN: RPRABHUM 2019/12/23			PRODUCT CUSTOMER DRAWING					
4 PLACES	±	CHK'D: GGA 2020/02/06			DOCUMENT NUMBER					
3 PLACES	±	APPR: GGA 2020/02/06			SDA-90663E			DOC TYPE	DOC PART	REVISION
2 PLACES	± 0.2	INITIAL REVISION:			PSD 001 L					
1 PLACE	± 0.2	DRWN: POB 1990/08/03			MATERIAL NUMBER					
0 PLACES	±	APPR: JDENNEHY 2004/11/24			CUSTOMER					
DRAFT WHERE APPLICABLE MUST REMAIN WITHIN DIMENSIONS		THIRD ANGLE PROJECTION	DRAWING	SERIES	SHEET NUMBER		SHEET NUMBER			
			A3-SIZE	90663	SEE CHART		4 OF 6			



MEASURE POINT FOR GOLD PLATING THICKNESS TYP.

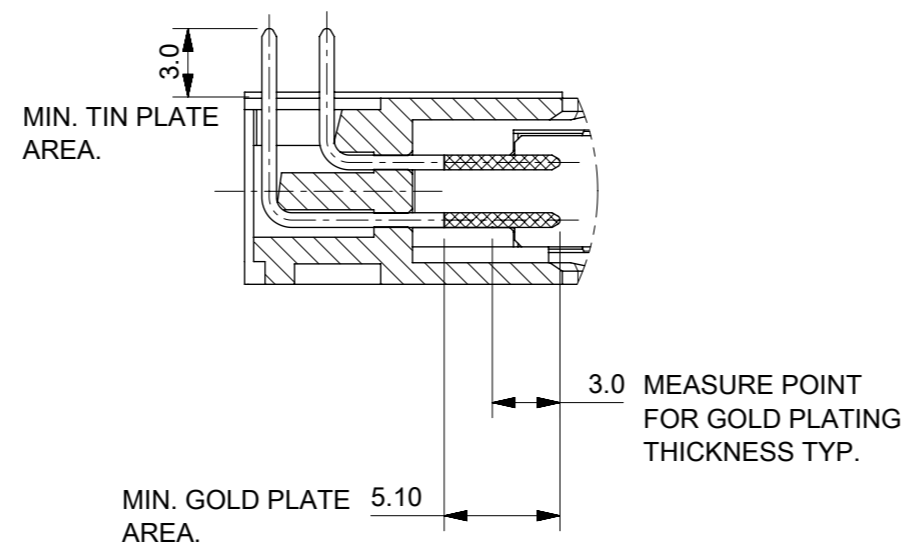
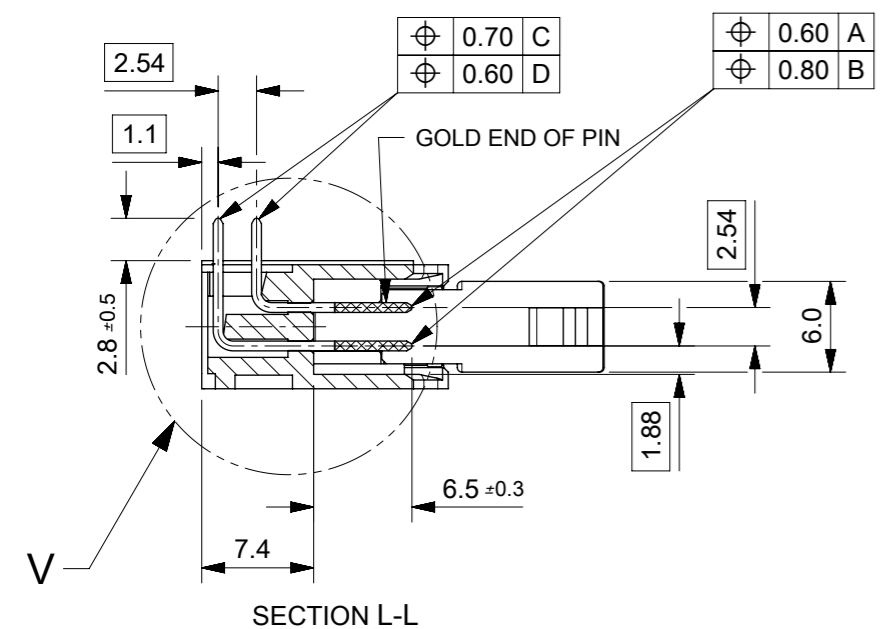
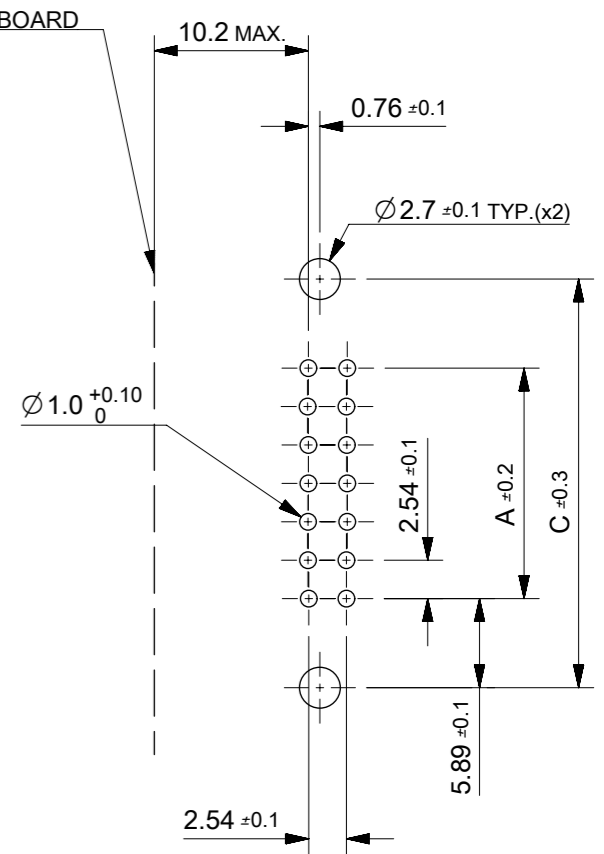
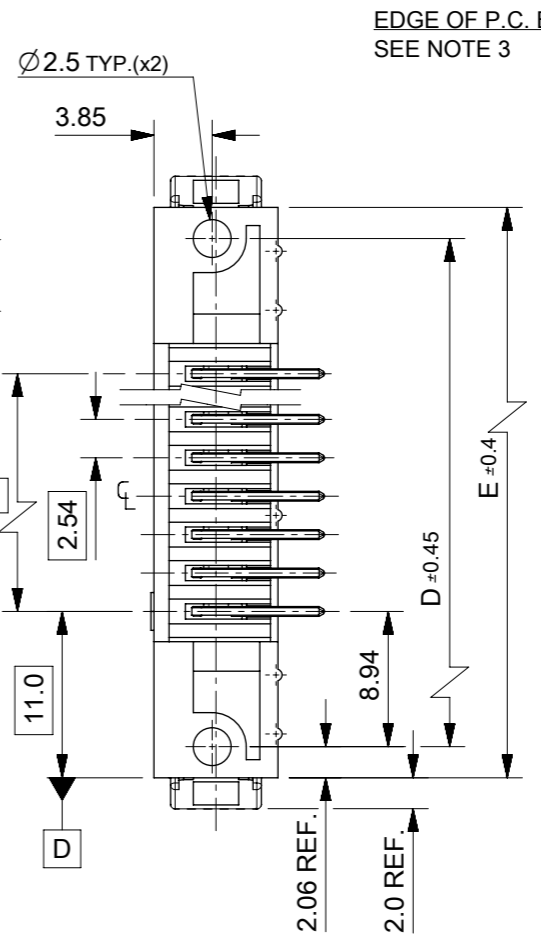
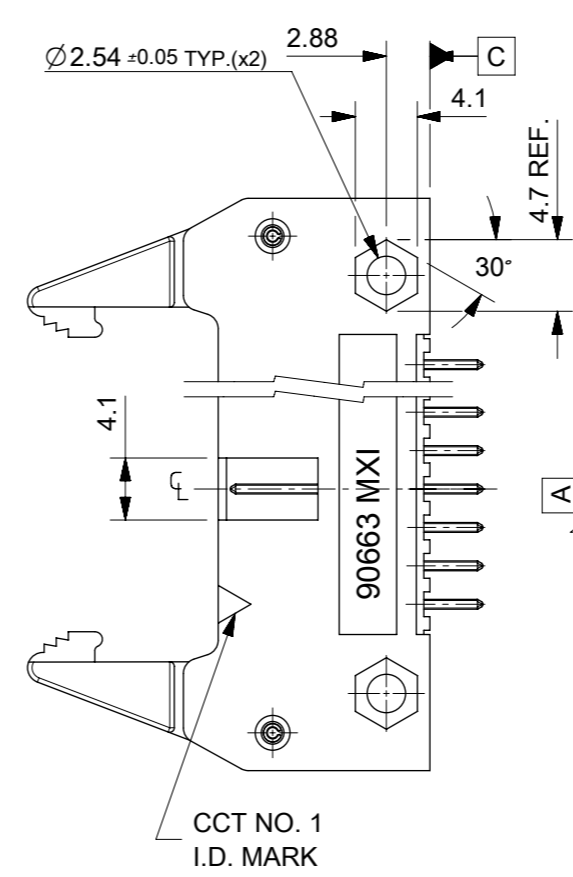
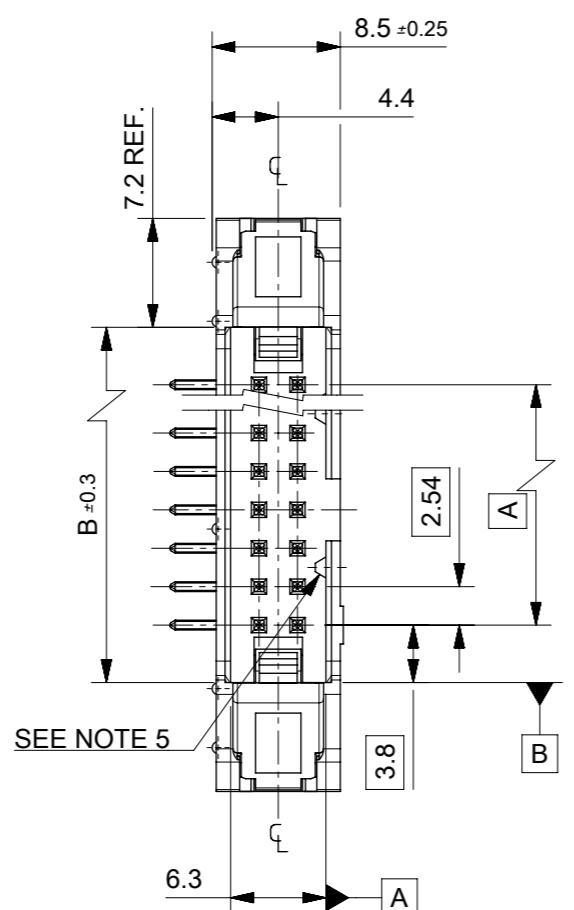
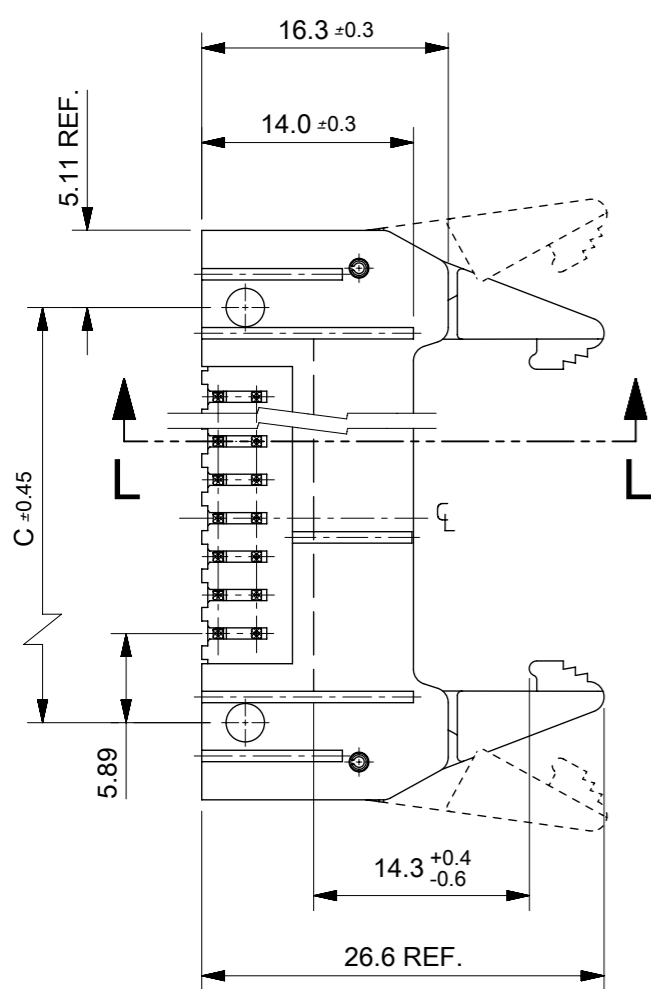
DETAIL U
SCALE 3:1
DIMENSIONS FOR SELECTIVE PLATING'S



- NOTES:**
- MATERIAL**
HEADER: GLASS FILLED POLYESTER (UL 94 V0), COLOUR-BLACK.
PINS: COPPER ALLOY SIZE 0.635.
LEVER: GLASS FILLED POLYESTER (UL 94 V0), COLOUR-BLACK.
 - PLATING**
90663-5**2, 3µm MIN. NICKEL UNDERPLATE. CONTACT AREA GS2 PLATING 0.76µ MIN. GOLD. SOLDER AREA 3µm MIN. TIN.
 - PRODUCT SPECIFICATION NO.:** PS-99020-0015
 - THIS RIB IS NOT PRESENT ON 14 CKT PARTS.**
 - RECOMMENDED PCB THICKNESS 1.6mm**

40.64	48.24	52.42	58.52	62.64	90663-5342	34
17.78	25.38	29.56	35.66	39.78	90663-5162	16
15.24	22.84	27.02	33.12	37.24	90663-5142	14
A	B	C	D	E	ENG. NO. GS2 PLATING	NO. OF CKTS.

THIS DRAWING CONTAINS INFORMATION THAT IS PROPRIETARY TO MOLEX ELECTRONIC TECHNOLOGIES, LLC AND SHOULD NOT BE USED WITHOUT WRITTEN PERMISSION								
DIMENSION UNITS	SCALE	CURRENT REV DESC: OBSOLETE PART NO.						
mm	2:1	<p>QF50 SRD HDR VT W/ELV</p> <p>PRODUCT CUSTOMER DRAWING</p>						
GENERAL TOLERANCES (UNLESS SPECIFIED)								
ANGULAR TOL	± 2.0°							
4 PLACES	±							
3 PLACES	±							
2 PLACES	± 0.2	EC NO: 631031	2019/12/23	DOCUMENT NUMBER		DOC TYPE	DOC PART	REVISION
1 PLACE	± 0.2	DRWN: RPRABHUM	2020/02/06	SDA-90663E		PSD	001	L
0 PLACES	±	CHK'D: GGA	2020/02/06	MATERIAL NUMBER		CUSTOMER		
DRAFT WHERE APPLICABLE MUST REMAIN WITHIN DIMENSIONS		APPR: GGA	2020/02/06	SEE CHART		GENERAL MARKET		
THIRD ANGLE PROJECTION		INITIAL REVISION:	1990/08/03	SERIES		SHEET NUMBER		
DRAWING		DRWN: POB	2004/11/24	A3-SIZE		5 OF 6		
DRAWING		APPR: JDENNEHY		90663				



DETAIL V
SCALE 3:1
DIMENSIONS FOR SELECTIVE PLATING'S

- NOTES:**
- MATERIAL**
HEADER: GLASS FILLED POLYESTER (UL 94 V0), COLOUR-BLACK.
PINS: BRASS SIZE 0.635.
LEVER: GLASS FILLED POLYESTER (UL 94 V0), COLOUR-BLACK.
SPRING PINS: STEEL
 - PLATING**
90663-6**2, 1µm MIN. NICKEL UNDERPLATE. CONTACT AREA GS2 PLATING 0.76µ MIN. GOLD. SOLDER AREA 3µm MIN. TIN.
 - 10.2mm MAX. TO EDGE OF PCB FOR DAISY CHAIN APPLICATIONS.
 - PRODUCT SPECIFICATION NO.: PS-99020-0015
 - THIS RIB IS NOT PRESENT ON 14 CKT PARTS.
 - RECOMMENDED PCB THICKNESS 1.6mm

15.24	22.84	27.02	33.12	37.24	90663-6142	14
A	B	C	D	E	ENG.NO.GS2 PLATING	NO. OF CKTS.

THIS DRAWING CONTAINS INFORMATION THAT IS PROPRIETARY TO MOLEX ELECTRONIC TECHNOLOGIES, LLC AND SHOULD NOT BE USED WITHOUT WRITTEN PERMISSION						
DIMENSION UNITS	SCALE	CURRENT REV DESC: OBSOLETE PART NO.				
mm	2:1	<p>QF50 SRD HDR VT W/ELV</p> <p>PRODUCT CUSTOMER DRAWING</p>				
GENERAL TOLERANCES (UNLESS SPECIFIED)						
ANGULAR TOL	± 2.0°					
4 PLACES	±					
3 PLACES	±					
2 PLACES	± 0.2					
1 PLACE	± 0.2	EC NO: 631031	2019/12/23	DOCUMENT NUMBER		
0 PLACES	±	DRWN: RPRABHUM	2020/02/06	DOC TYPE		
DRAFT WHERE APPLICABLE MUST REMAIN WITHIN DIMENSIONS		CHK'D: GGA	2020/02/06	DOC PART		
THIRD ANGLE PROJECTION		APPR: GGA	2020/02/06	REVISION		
DRAWING		INITIAL REVISION:		SDA-90663E		
SERIES		DRWN: POB	1990/08/03	PSD	001	
MATERIAL NUMBER		APPR: JDENNEHY	2004/11/24	L		
CUSTOMER		SHEET NUMBER		6 OF 6		
SEE CHART		A3-SIZE		GENERAL MARKET		
90663						