

# 2.0mm (0.079") Female Header

Single Row Board to Board Connector  
(Straight And Right Angle)

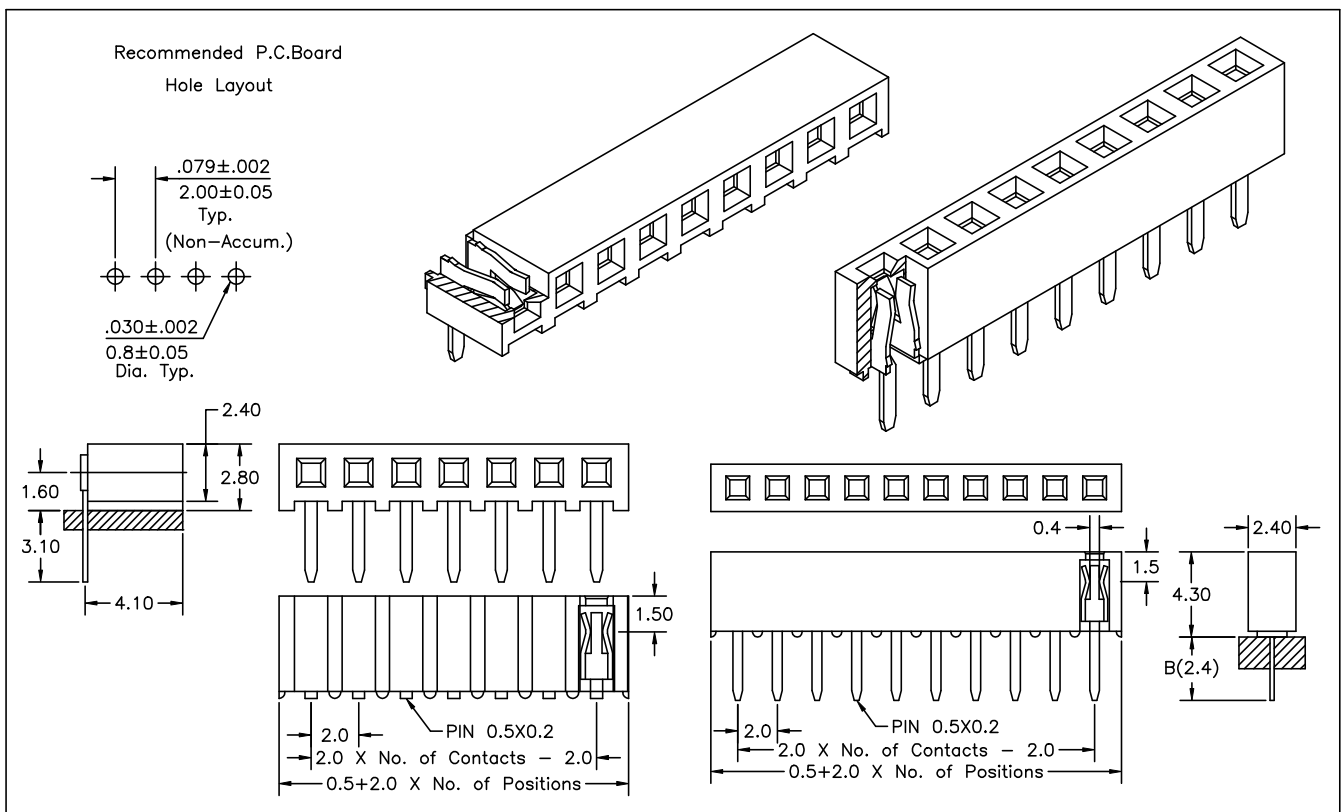
1211 Series

## APPLICATION AND FEATURES

1. Low Profile: 4.3mm height.
2. High quality dual beam phosphor bronze contacts.
3. Designed for board to board small spacing interconnection.
4. Standoffs facilitate post soldering clean.
5. Mating with 2.0mm pitch  $\square$  0.5mm Pin Headers, such as 1201 & 1204S series.

## SPECIFICATIONS

Current Rating: 1 Amp  
 Insulator resistance: 5000 Megohms min.  
 Contact resistance: 20 m ohm Max.  
 Dielectric withstanding: AC 500 V  
 Operating Temperature:  $-40^{\circ}$  to  $+105^{\circ}$ C  
 Max Processing Temp:  $230^{\circ}$  for 30~60 seconds  
 ( $260^{\circ}$  for 10 seconds)  
 Contact Material: Phosphor bronze  
 Insulator Material: Polyester, UL 94V-0  
 ©Standard: Nylon-6T



## Order Information 1211 Series

Example: 1211-34-S-02-B

Series No.	Number of Contacts	Connector Type	Contact Plating	Pin Length mm
1211	04 to 40 Contacts	Straight S	Tin Plated 01	B Code
	04 to 40 Contacts (Straight)	Right Angle R	Gold Plated	S:1.2mm A
	04 to 17 Contacts (Right Angle)		Flash 02	2.4mm B
			10 $\mu$ " 10	R:3.1mm C
			30 $\mu$ " 30	