

RoHS COMPATIBLE PRODUCT NUMBER
54122-XXXXXXXXXLF

STANDARD PRODUCT NUMBER
54122-XXX-XX-XXXXX

PLATING

- 1 = 0.76µm GOLD ON CONTACT AREA
2µm MIN MATTE TIN ON TAIL
OVER 1.27µm Ni MIN
- 8 = 0.38µm GOLD ON CONTACT AREA
2µm MIN MATTE TIN ON TAIL
OVER 1.27µm Ni MIN
- 4 = 2µm MIN MATTE TIN
OVER 1.27µm Ni MIN

- INDICATES THE PRODUCT IS RoHS COMPATIBLE
SEE NOTE 9
- R : RETENTIVE LEG
NOTE 8
- STACK HEIGHT
NOTE 6
- TOTAL NB OF POSITIONS
04 TO 72

PLATING

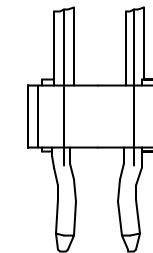
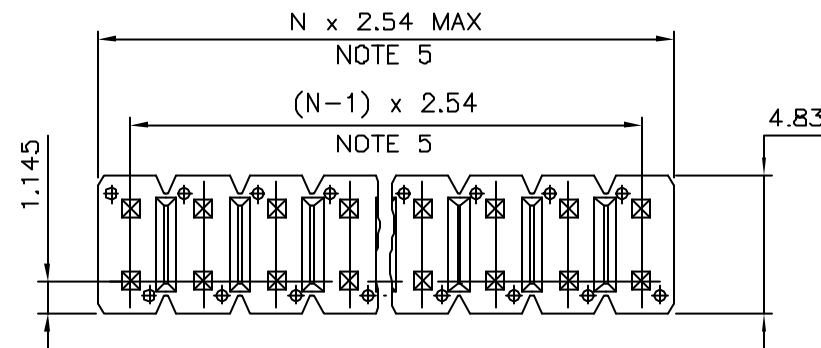
- 1 = 0.76µm GOLD ON CONTACT AREA
3.81µm TIN/LEAD ON TAIL
OVER 1.27µm Ni MIN
- 8 = 0.38µm GOLD ON CONTACT AREA
3.81µm TIN/LEAD ON TAIL
OVER 1.27µm Ni MIN
- 4 = TIN LEAD
OVER 1.27µm Ni MIN

- R : RETENTIVE LEG
NOTE 8
- STACK HEIGHT
NOTE 6
- TOTAL NB OF POSITIONS
04 TO 72

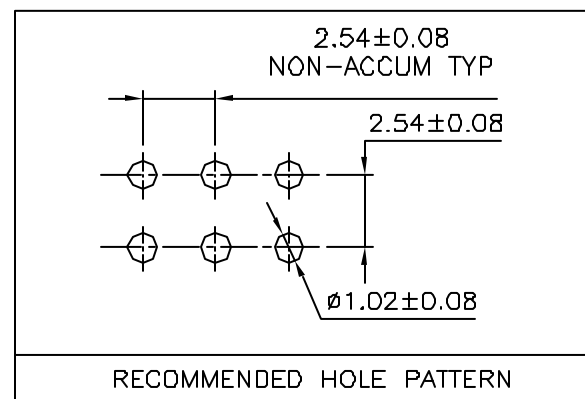
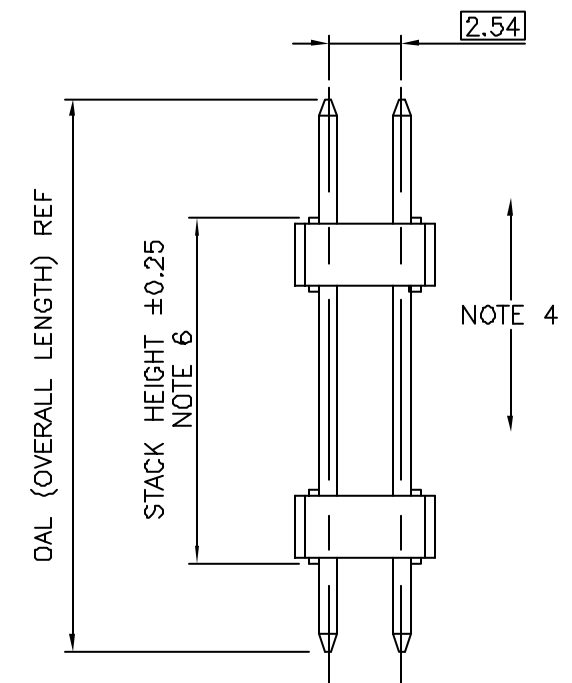
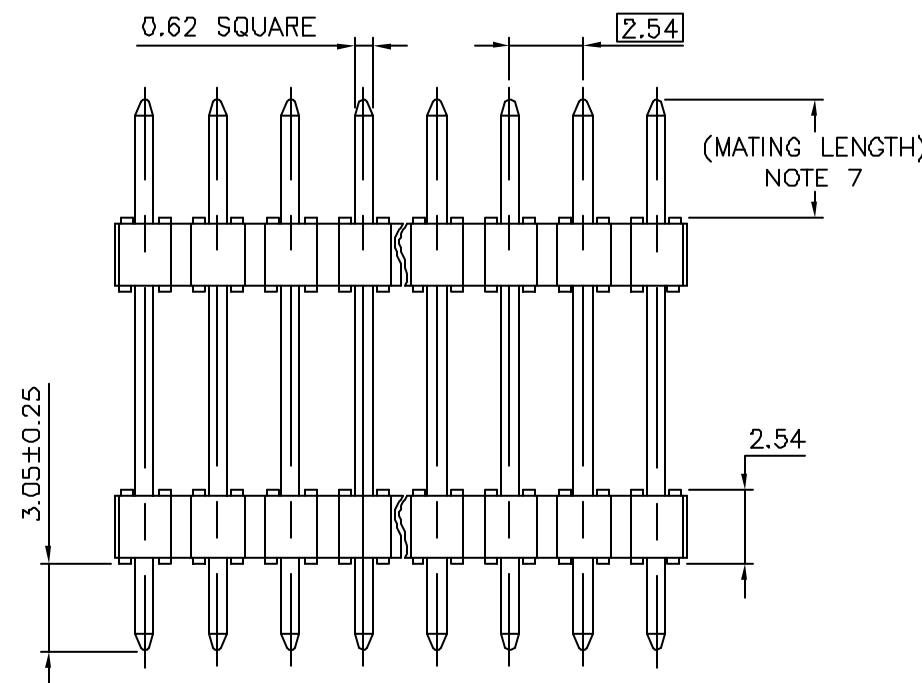
NOTES:

1. HOUSING MAT'L : HIGH TEMPERATURE THERMOPLASTIC. UL94V-0 COLOR: BLACK
2. PIN MATERIAL : PHOSPHOR BRONZE
3. PRODUCT PACKAGED IN PLASTIC BOX
4. 9N MIN RETENTION IN EITHER DIRECTION
5. TO DETERMINE DIMENSIONS :
N = NUMBER OF POSITIONS PER ROW
EXAMPLE : 8 POS PER ROW, N x 2.54 = 20.32mm
6. XXXX = MILLIMETERS
SPECIFY MILLIMETERS
8mm MIN TO 25.0mm MAX AVAILABLE
IN 0.5mm INCREMENT
EXAMPLE FOR STACK HEIGHT: $\underline{1} \underline{2} \underline{5} \underline{0} = 12.5\text{mm}$
7. MATING LENGTH = (OAL)-(3.05)-(STACK HEIGHT)
8. RETENTION IS APPLIED TO TWO ADJACENT PINS AT EACH END OF THE PRODUCT SEE SCHEMA 1
OMIT FROM PRODUCT NUMBER IF THIS FEATURE IS NOT APPLICABLE
9. RoHS COMPATIBLE PRODUCT SPECIFICATIONS

PIN STYLE	DAL
01	12.2
02	13.5
03	15.9
04	16.76
05	17.65
06	18.91
07	20.96
08	23.5
09	26.04
10	28.58
11	31.12
12	33.66
13	34
14	26.42
15	16.56
16	36.2
18	28



SCHEMA 1
TWO RETENTION PIN AT EACH END OF THE PRODUCT



mat'l. code		surface		tolerance		projection		product family	
SEE NOTES		ISO 1302		ISO 406 ISO 1101		mm		BERGSTIK	
ltr	ecn no	dr	date	tolerances unless otherwise specified		mm		title	
A	F10119	DLE	01.01.24	angles	x.x ±0.3	mm		UNSHR.HEADER	
B	F10305	JCO	01.05.03	Linear	x.xx ±0.13	mm		STR DR TMT	
C	F10535	LMU	01.09.21		x.xxx ±0.05	scale 4:1		dwg no	
D	F20312	JCO	02.05.06	dr	D.LE	01.01.24		sheet 1 of 1	
E	F03-0227	DLE	03.06.13	enrg	JM.C	01.01.24		size	
F	F04-0385	LMU	04.12.16	chr	JM.C	01.01.24		54122	
G	F06-0196	LMU	06.06.13	appd	JF.N	01.01.24		A3	
sheet index		revision sheet						type	
								CUSTOMER Drawing	



Copyright FCI