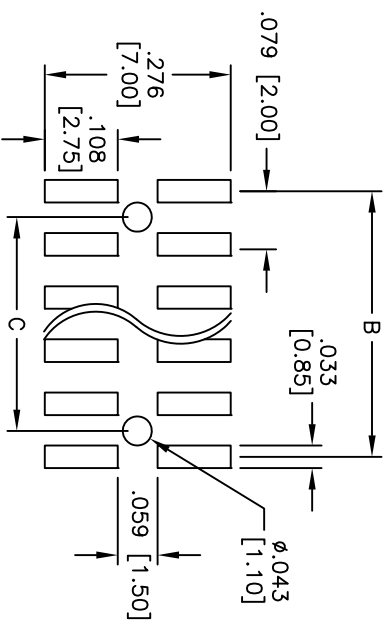
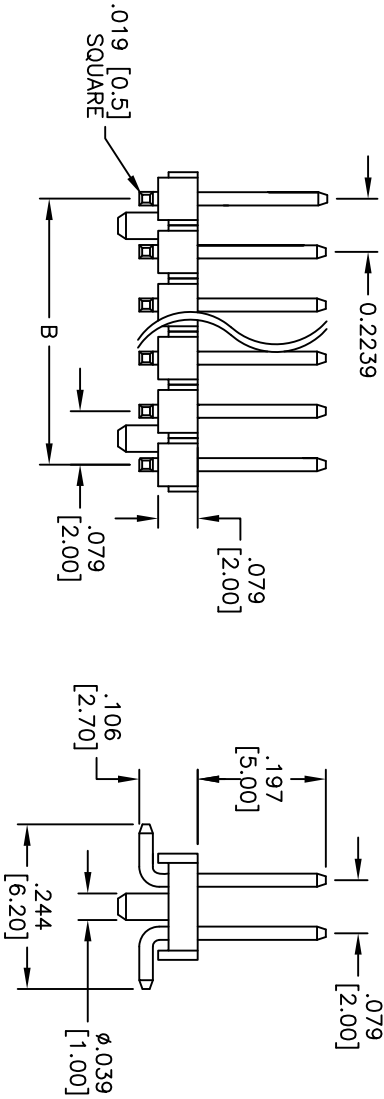
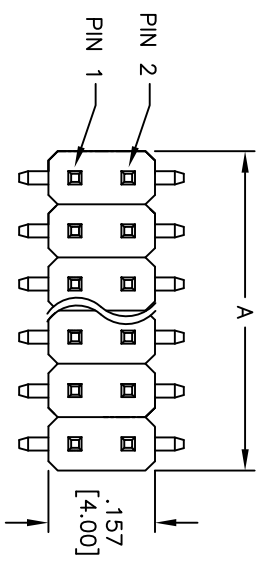


Rev	AWO #	Description	Date	Appr
-		RELEASED	11/30/09	

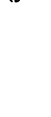
APPROVED: \_\_\_\_\_  
 DATE: \_\_\_\_\_ TITLE: \_\_\_\_\_



RECOMMENDED  
PCB LAYOUT

A = .079 [2.00] x No. of Positions  
 B = .079 [2.00] x No. of Spaces  
 C = .079 [2.00] x No. of Spaces - .079 [2.00]

**SPECIFICATIONS:**  
 Material: Nylon 6T, rated UL 94V-0  
 Insulator color: Black  
 Contacts: Brass  
 Plating: Gold Flash over Nickel underplate overall.  
 Electrical:  
 Operating voltage: 250 VAC max  
 Current rating: 1 Amp max  
 Contact resistance: 20 mohms max  
 Insulation resistance: 5,000 Mohms min @ 500 VDC  
 Dielectric withstanding voltage: 1,000 VAC for 1 minute  
 Temperature Rating:  
 Operating temperature: -40°C to +105°C  
 Environmental:  
 Lead free, RoHS compliant  
 Recommended soldering temp: 260°C for 5 seconds



UNLESS OTHERWISE SPECIFIED ALL DIMENSIONS ARE INCHES [MM] TOLERANCES: EXCEPT AS NOTED	
INCHES	[ ]
HOLES	±.10
ØXX	±.015
ØXXX	±.010
APPROVALS	DATE
DRAWN	DY 11/30/09
CHECKED	
APPROVED	

**ADAM TECH**  
 909 Rahway Avenue, Union, NJ 07083  
 Phone: 908-687-5000 Fax: 908-687-5710  
 TITLE: .079 [2.00] DUAL ROW PIN HEADER  
 SURFACE MOUNT, GOLD PLATED

SIZE	PART NO.	REV.
X	2PH2-XX-U-SMT-.197-P	-
REF: S0069T	SCALE: NTS	SHEET 1 OF 1