

SPEED/PACKAGE AVAILABILITY

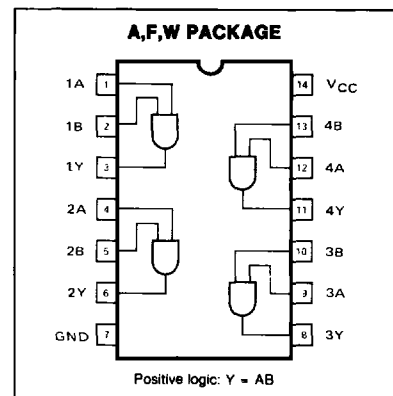
| | | | |
|------|-----|------|-----|
| 54 | F,W | 74 | A,F |
| 54LS | F,W | 74LS | A,F |
| 54S | F,W | 74S | A,F |

SWITCHING CHARACTERISTICS $V_{CC} = 5V, T_A = 25^\circ C$

| TEST CONDITIONS | 54/74 | | | 54/74LS | | | 54/74S | | | UNIT |
|---|-------|-----|-----|---------|-----|-----|--------|-------------------|-----|------|
| | MIN | TYP | MAX | MIN | TYP | MAX | MIN | TYP | MAX | |
| Propagation delay time t_{pLH} Low-to-high | | 21 | 32 | | 20 | 35 | | 6.5 | 10 | ns |
| | | | | | | | | $C_L = 50pF$ 9 | | |
| t_{pHL} High-to-low | | 16 | 24 | | 20 | 35 | | 6.5 | 10 | ns |
| | | | | | | | | $C_L = 50pF$ 9 | | |

Load circuit and typical waveforms are shown at the front of section.

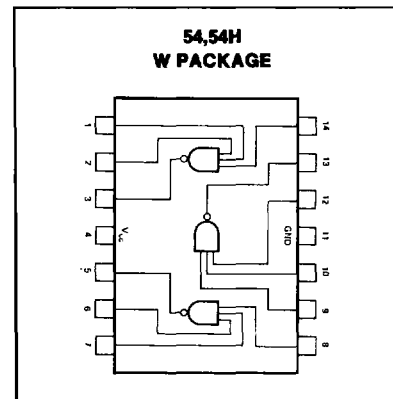
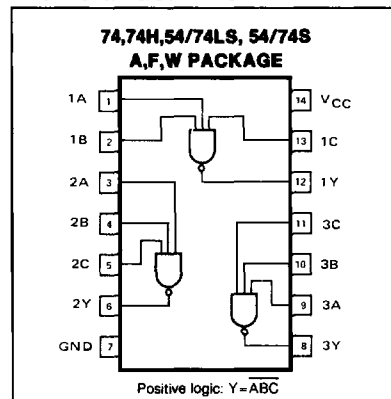
PIN CONFIGURATION



SPEED/PACKAGE AVAILABILITY

| | | | |
|------|-----|------|-----|
| 54 | F,W | 74 | A,F |
| 54H | F,W | 74H | A,F |
| 54LS | F,W | 74LS | A,F |
| 54S | F,W | 74S | A,F |

PIN CONFIGURATION



SWITCHING CHARACTERISTICS $V_{CC} = 5V, T_A = 25^\circ C$

| TEST CONDITIONS | 54/74 | | | 54/74H | | | 54/74LS | | | 54/74S | | | UNIT | |
|---|-------|-----|-----|--------|-----|-----|---------|-----|-----|--------|---------------------|-----|------|----|
| | MIN | TYP | MAX | MIN | TYP | MAX | MIN | TYP | MAX | MIN | TYP | MAX | | |
| Propagation delay time t_{pLH} Low-to-high | | 11 | 22 | | 5.9 | 10 | | 5 | 15 | | 2 | 3 | 4.5 | ns |
| | | | | | | | | | | | $C_L = 50pF$ 4.5 | | | |
| t_{pHL} High-to-low | | 7 | 15 | | 6.3 | 10 | | 9 | 15 | | 2 | 3 | 5 | ns |
| | | | | | | | | | | | $C_L = 50pF$ 5 | | | |

Load circuit and typical waveforms are shown at the front of section.